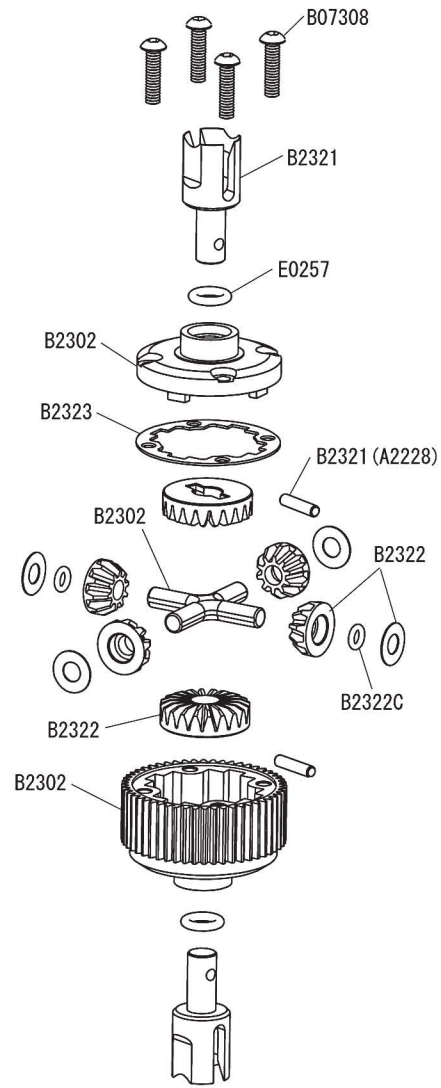


B2001 MSB1 1/10 2WD Electric Buggy Exploded View

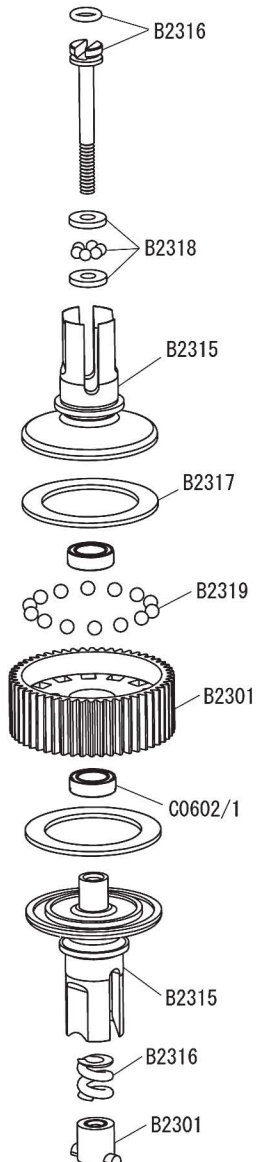
Gear Diff



Diff Kit

B2329 Gear Diff Kit MSB1

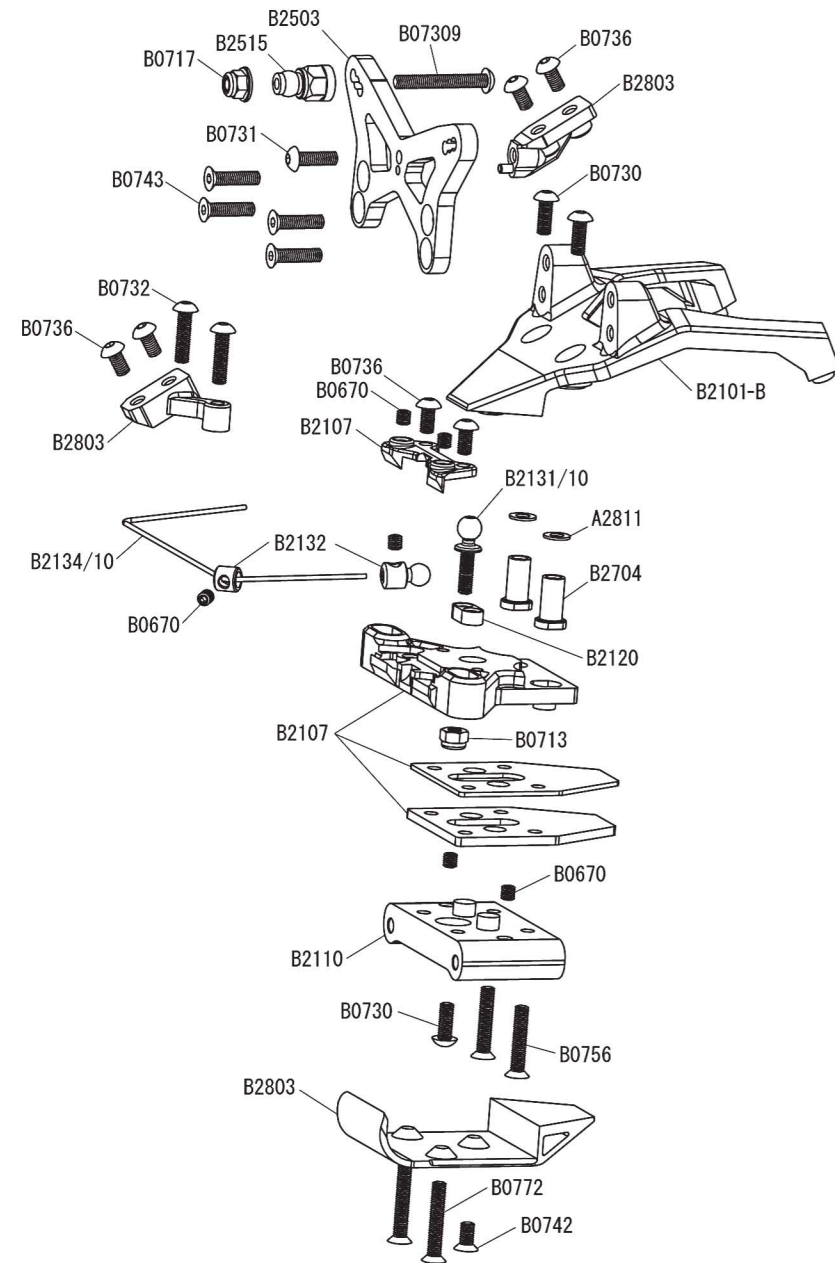
Ball Diff (Option Parts)



Option Parts

B2330 Ball Diff Kit MSB1

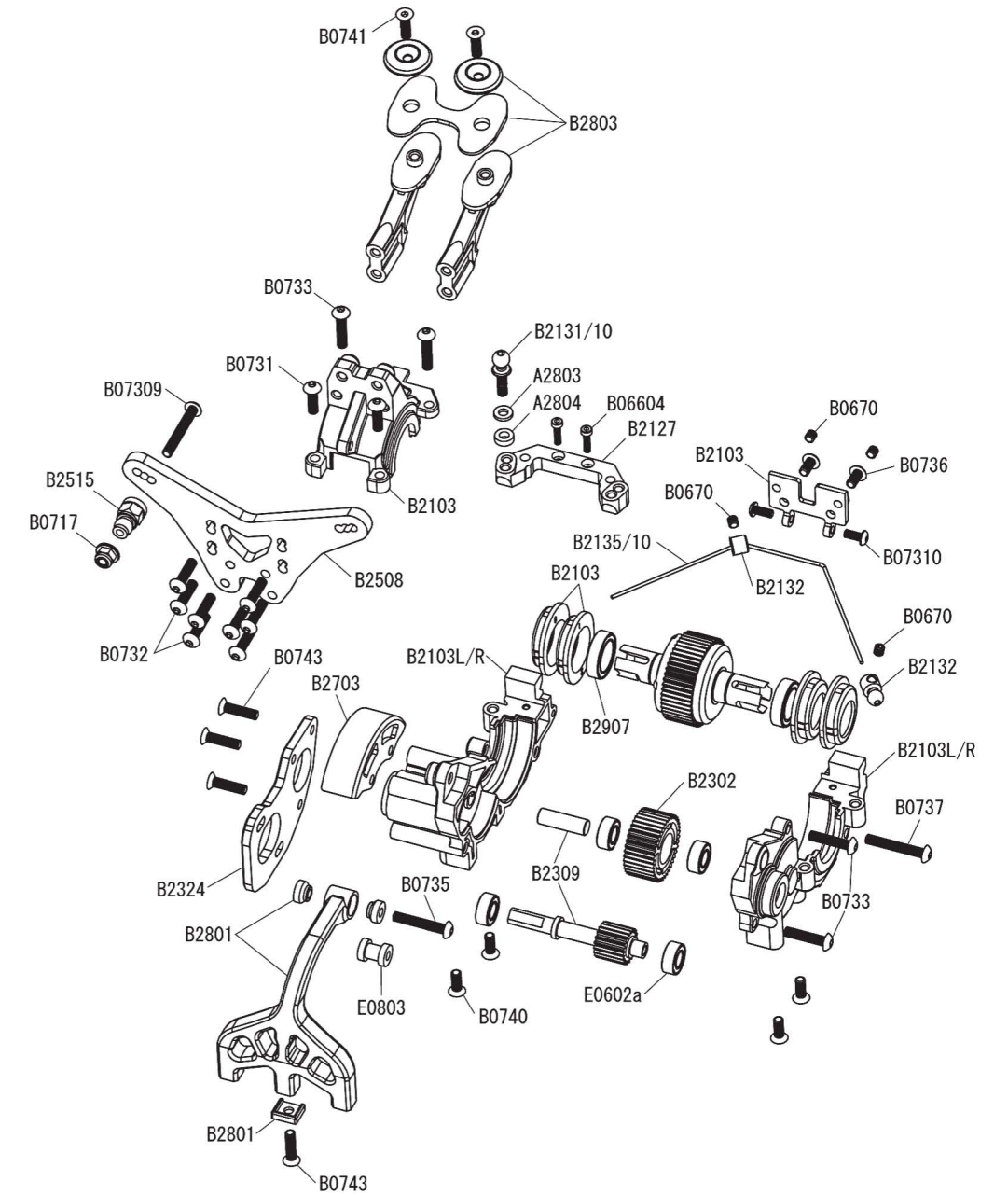
Front Link Mount



Option Parts

B2121	Front Link Inserts "B" MSB1
B2134/09	Front Anti-roll Bar (Ø0.9) MSB1
B2134/11	Front Anti-roll Bar (Ø1.1) MSB1
B2134/12	Front Anti-roll Bar (Ø1.2) MSB1
B2136/10	Titanium Ø5.5 Ball Studs 10mm MSB1
B2139	Brass Front Bulkhead Spacer (1mm) MSB1

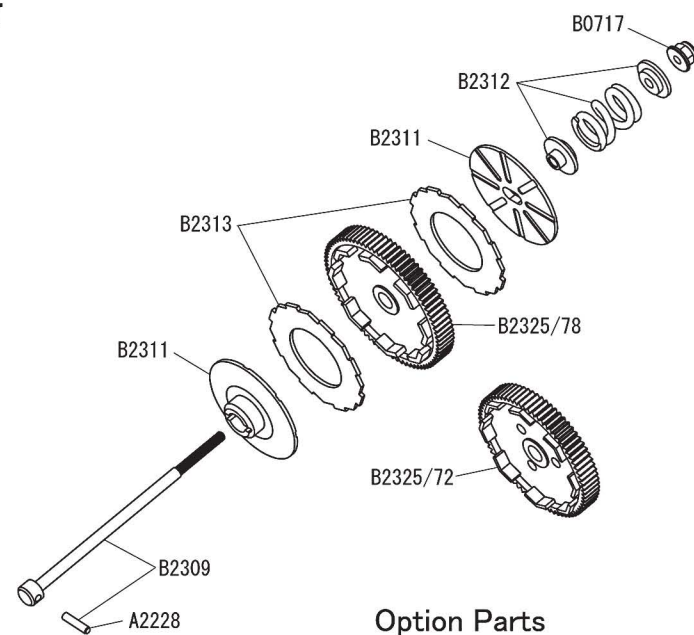
Gear Box



Option Parts

B2135/11	Rear Anti-roll Bar (Ø1.1) MSB1
B2135/12	Rear Anti-roll Bar (Ø1.2) MSB1
B2135/13	Rear Anti-roll Bar (Ø1.3) MSB1
B2135/14	Rear Anti-roll Bar (Ø1.4) MSB1
B2136/10	Titanium Ø5.5 Ball Studs 10mm MSB1
B2805	Aluminum Wing Buttons MSB1
B2907/1	Bearings (10x15x4) 10pcs.
E2601a	5x10x4 NMB Bearings (2pcs.)
E2601/1a	5x10x4 NMB Bearings (10pcs.)

Slipper

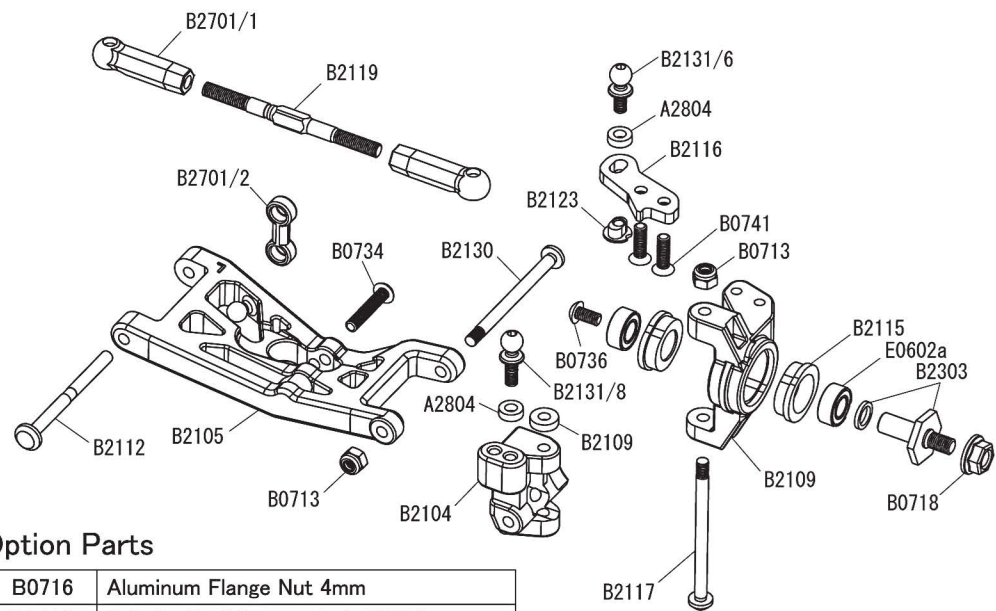


Option Parts

B2328 Direct Drive Kit

B2001 MSB1 1/10 2WD Electric Buggy Exploded View

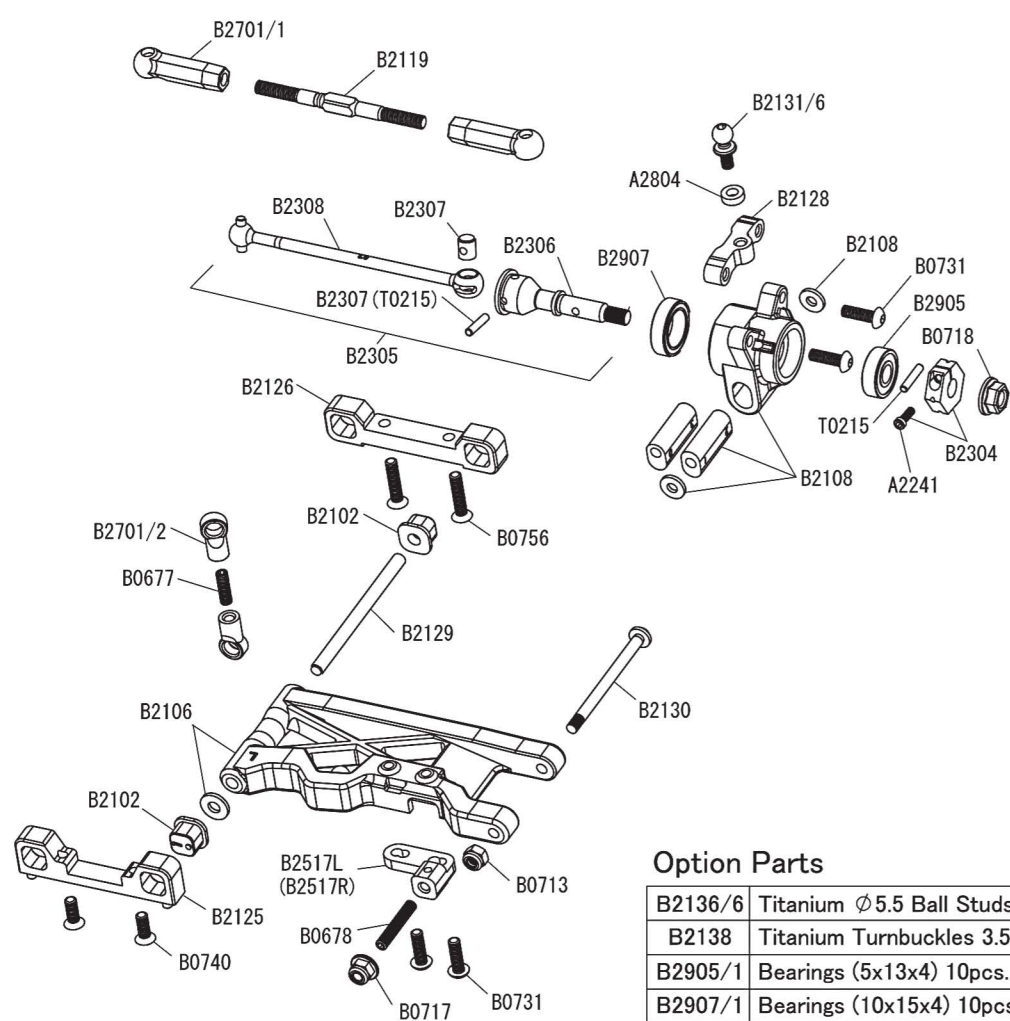
Front Suspension



Option Parts

B0716	Aluminum Flange Nut 4mm
B2114	Spindle Trail Inserts 2-4 MSB1
B2122	Insert Nuts 0 MSB1
B2124	Insert Nuts 1 MSB1
B2136/6	Titanium \varnothing 5.5 Ball Studs 6mm MSB1
B2136/8	Titanium \varnothing 5.5 Ball Studs 8mm MSB1
B2138	Titanium Turnbuckles 3.5x49mm MSB1
B2327	Titanium Front Axles MSB1
E2601a	5x10x4 NMB Bearings (2pcs.)
E2601/1a	5x10x4 NMB Bearings (10pcs.)

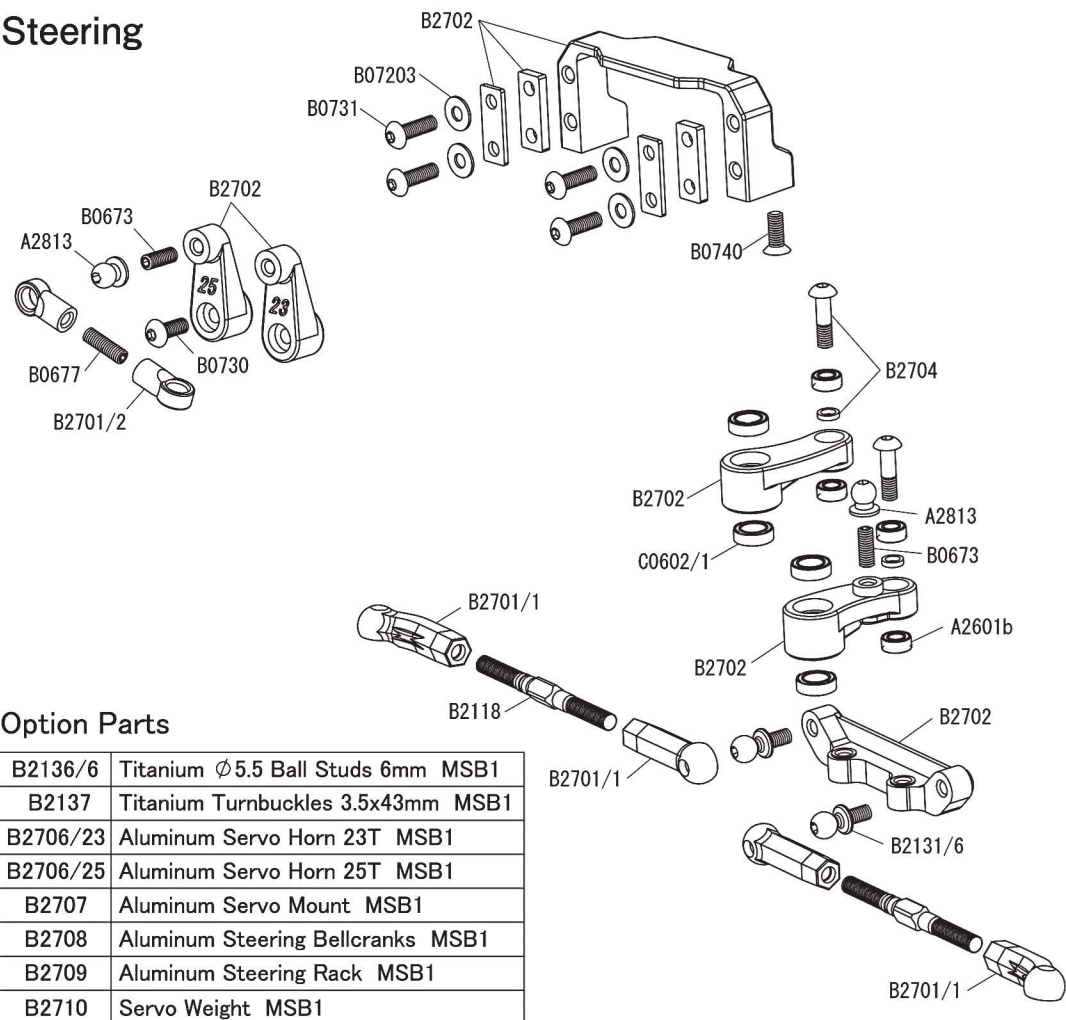
Rear Suspension



Option Parts

B2136/6	Titanium \varnothing 5.5 Ball Studs 6mm MSB1
B2138	Titanium Turnbuckles 3.5x49mm MSB1
B2905/1	Bearings (5x13x4) 10pcs.
B2907/1	Bearings (10x15x4) 10pcs.

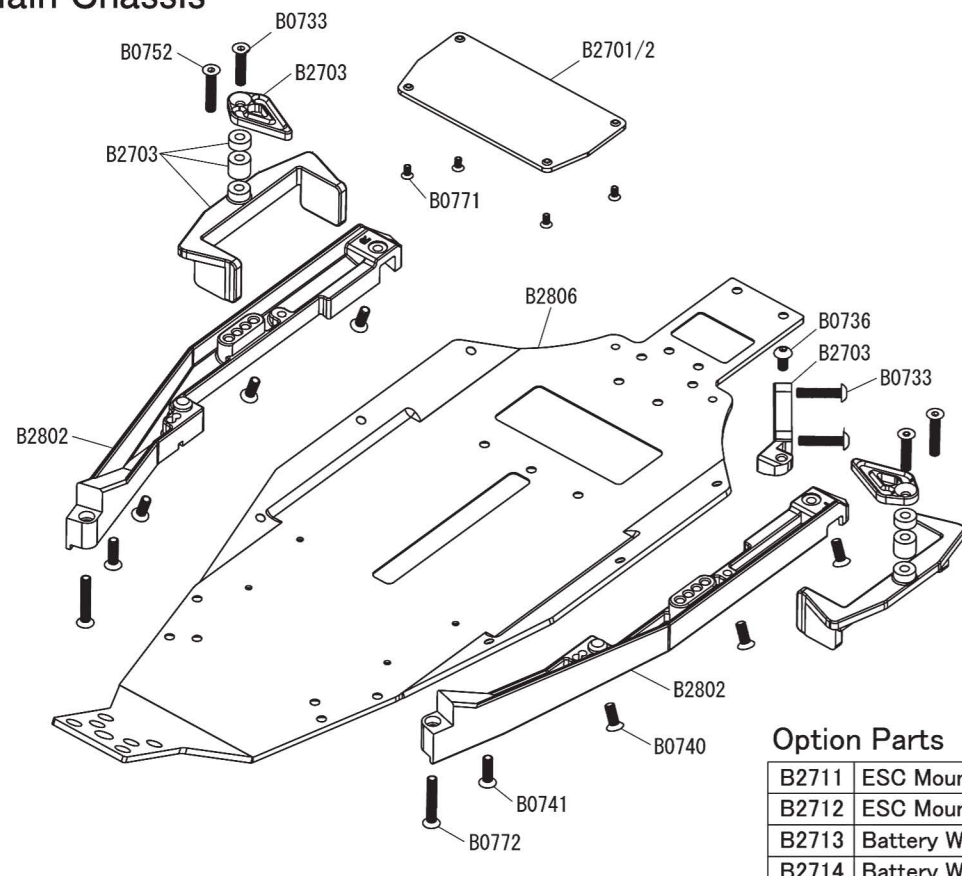
Steering



Option Parts

B2136/6	Titanium \varnothing 5.5 Ball Studs 6mm MSB1
B2137	Titanium Turnbuckles 3.5x43mm MSB1
B2706/23	Aluminum Servo Horn 23T MSB1
B2706/25	Aluminum Servo Horn 25T MSB1
B2707	Aluminum Servo Mount MSB1
B2708	Aluminum Steering Bellcranks MSB1
B2709	Aluminum Steering Rack MSB1
B2710	Servo Weight MSB1

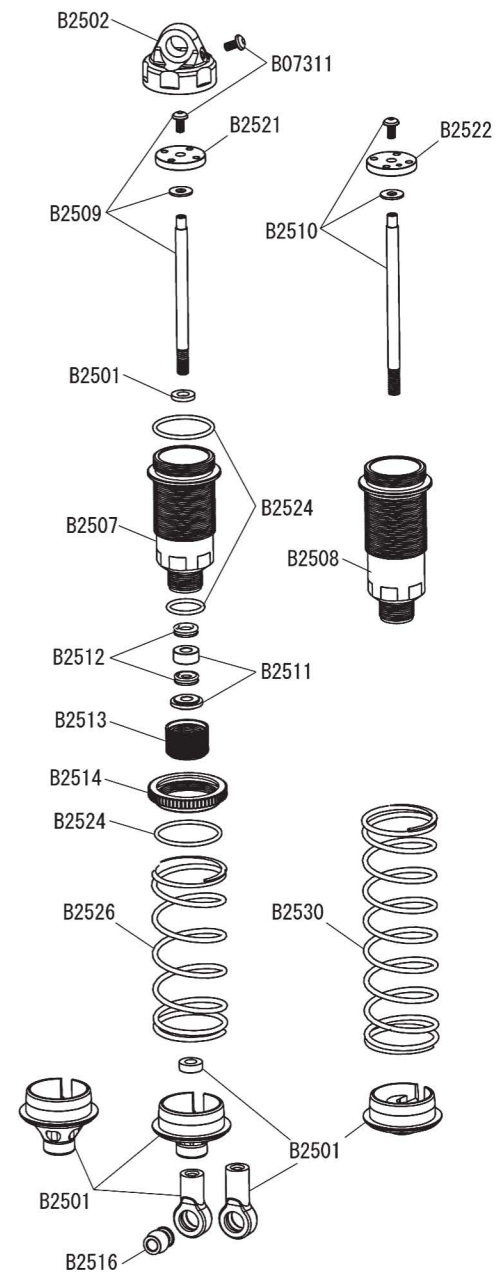
Main Chassis



Option Parts

B2711	ESC Mount Plate CFRP MSB1
B2712	ESC Mount Plate Brass MSB1
B2713	Battery Weight 37g MSB1
B2714	Battery Weight 19g MSB1

Front/Rear Shock



Shock Kit

B2505	Front Shock Kit MSB1
B2506	Rear Shock Kit MSB1

Option Piston

B2523	Shock Pistons 2.0mm/ \varnothing 1.7x2+ \varnothing 1.8x2
B2525	Front Shock Springs 1Dot
B2527	Front Shock Springs 3Dots
B2528	Front Shock Springs 4Dots
B2529	Rear Shock Springs 1Dot
B2531	Rear Shock Springs 3Dots
B2532	Shock Pistons 2.0mm/ Blank