

*Please confirm the content of parts before it assembles.

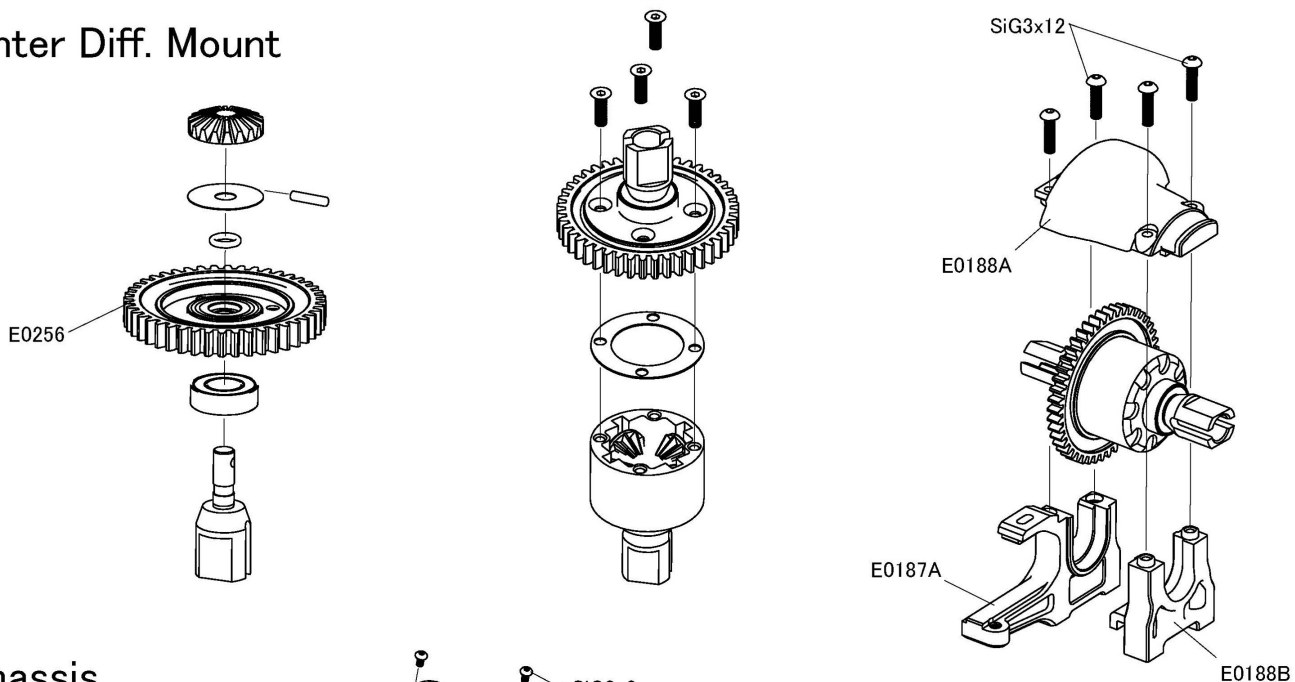
Be sure to read the instruction manual completely prior to assembly.

*This product is a conversion kit for MBX-6T.

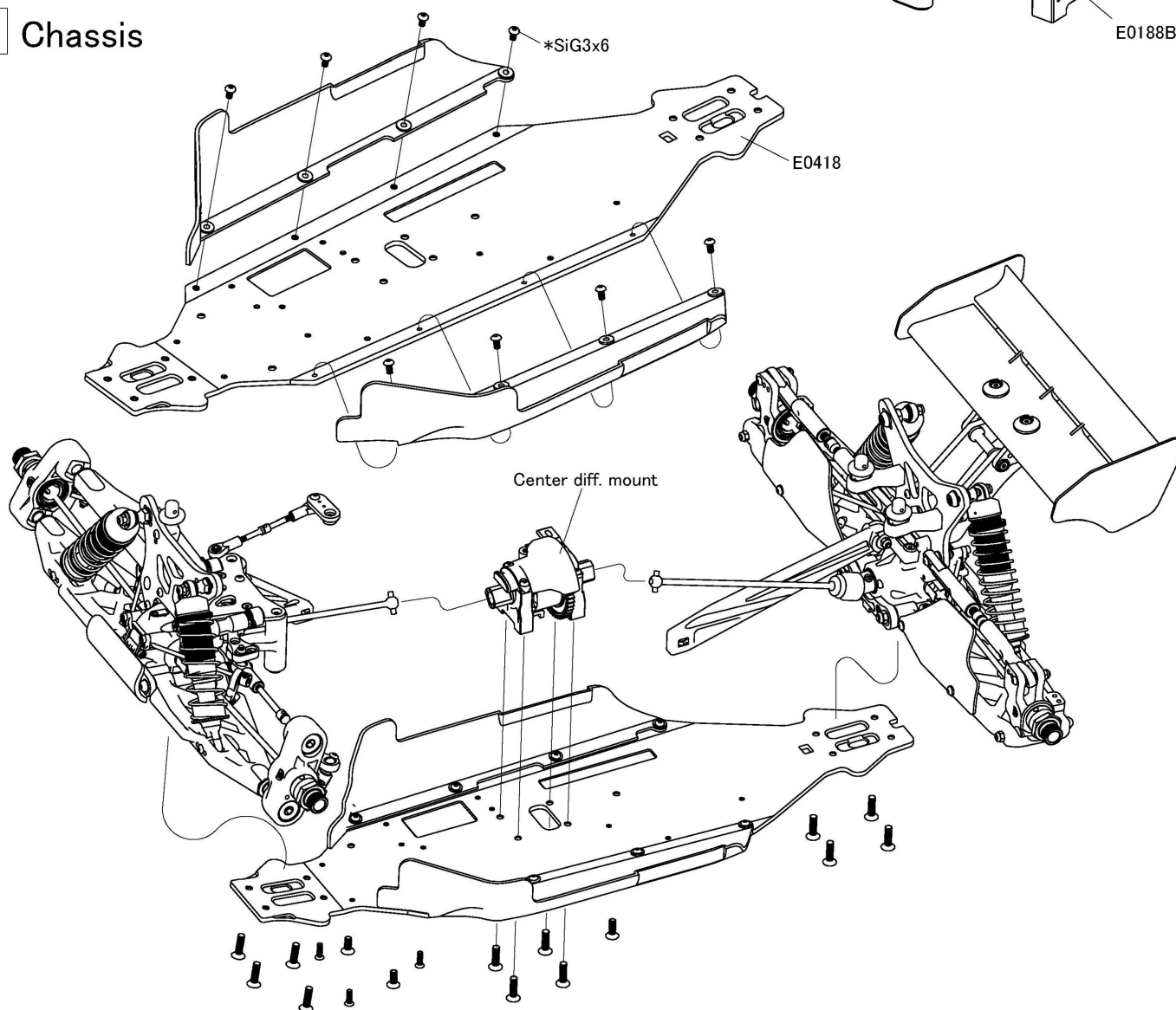
Other necessary equipment: MBX-6T Kit, 2ch Propo and servo, Electric Speed Controller, Batteries for RC car, Batteries for transmitter, Charger, Tire & Wheel, and tools.

The parts which part numbers are not described or marked with "" must use the attachment of MBX-6T kit or buy the parts separately.

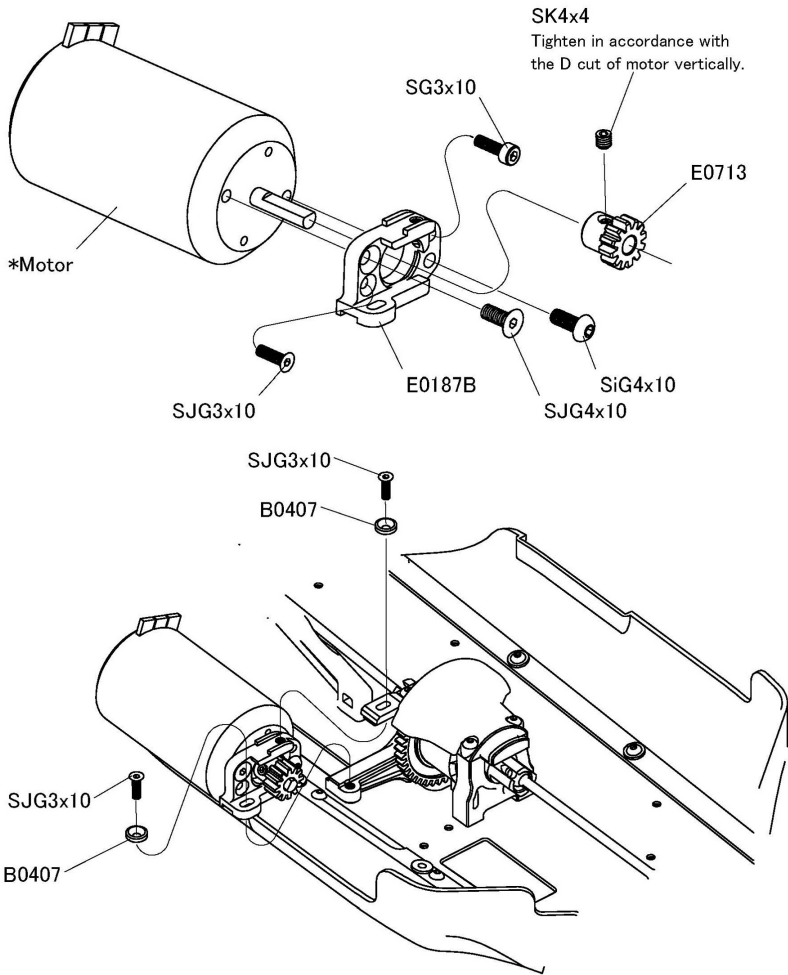
1 Center Diff. Mount



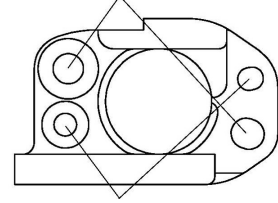
2 Chassis



3 Motor Mount

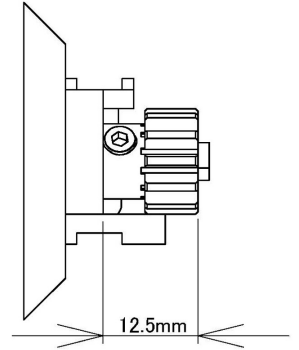


Installation holes for M4 screws

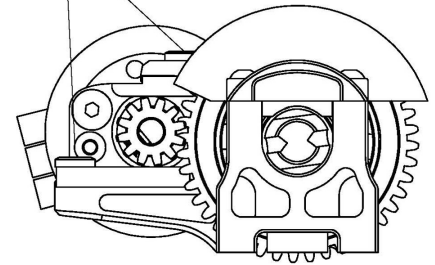


Installation holes for M3 screws

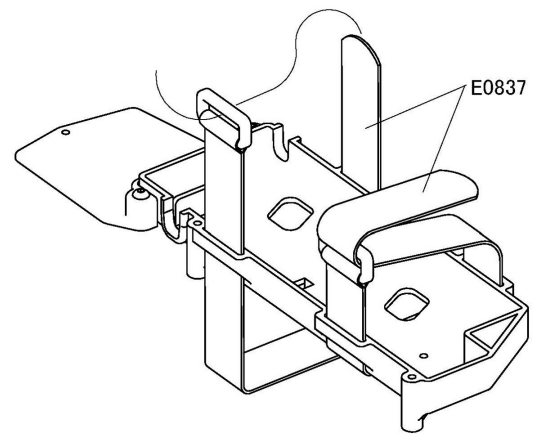
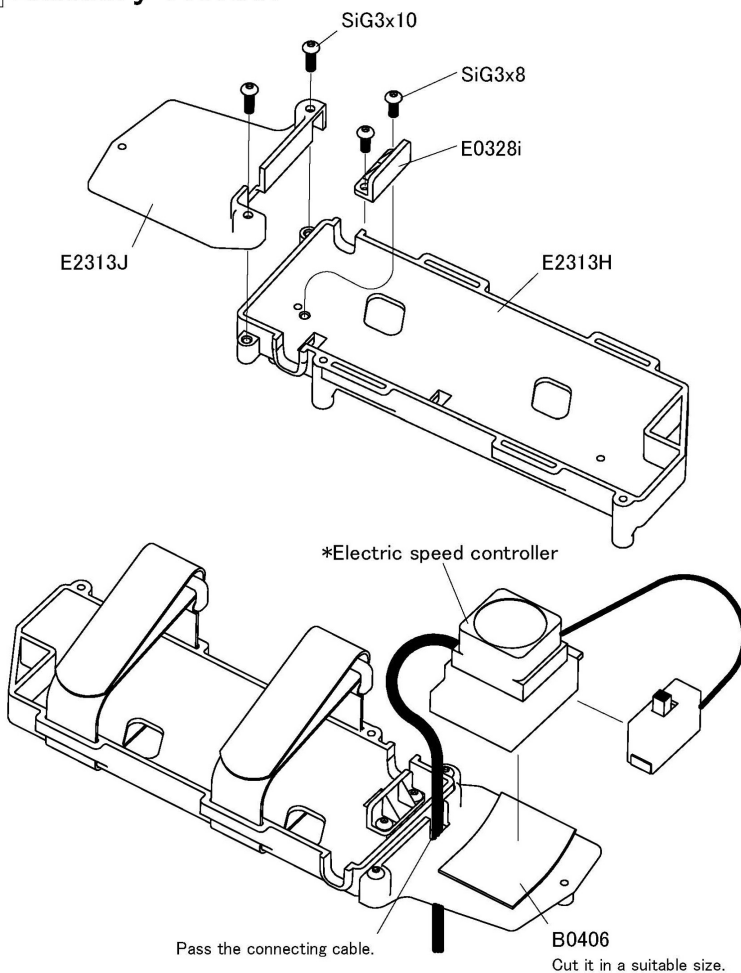
Select the screws(SJG3x10,SG3x10,SJG4x10,SiG4x10) according to the shape of hole for the installation screws of your motor.



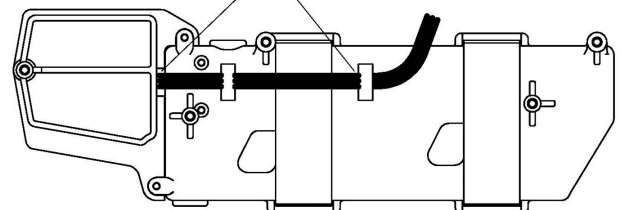
Set a position of motor so that the gear turns lightly, and fix it with SJG3x10.



4 Battery Holder



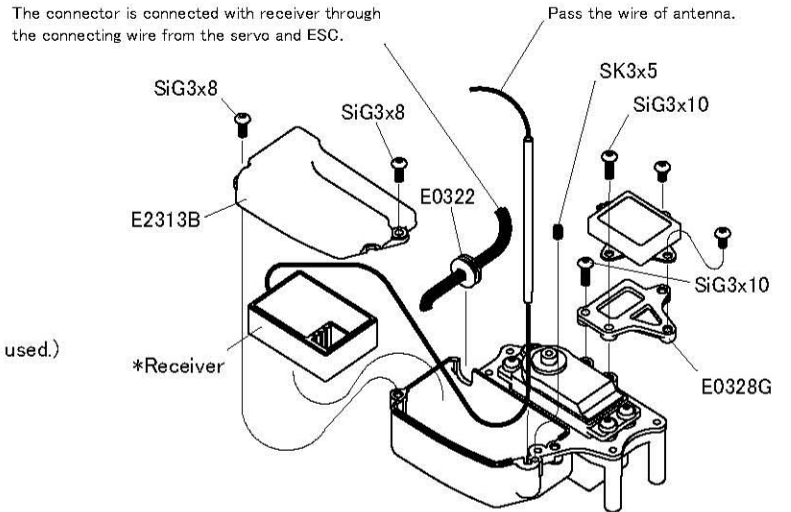
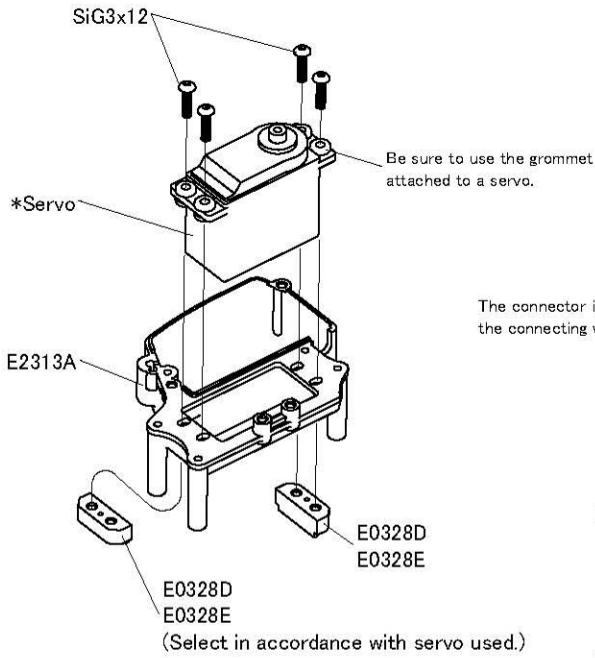
Pass the connecting cable.



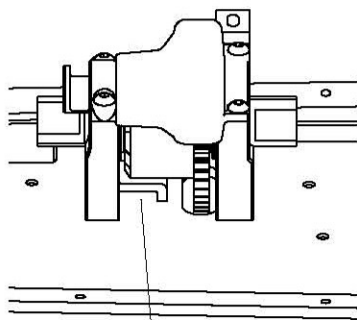
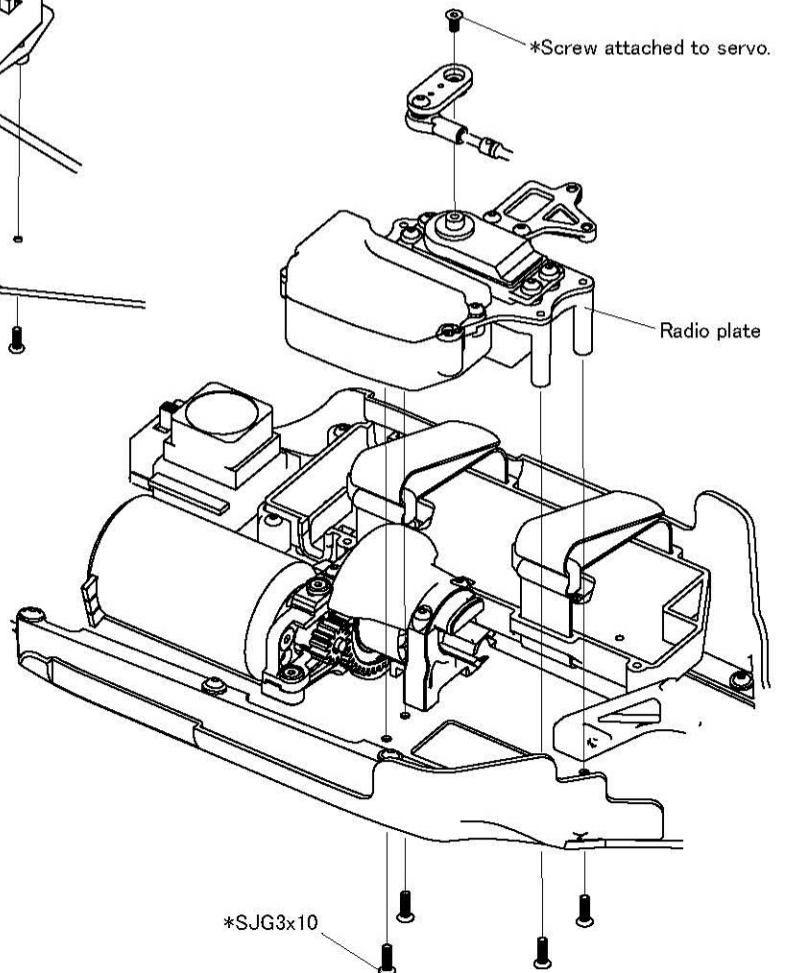
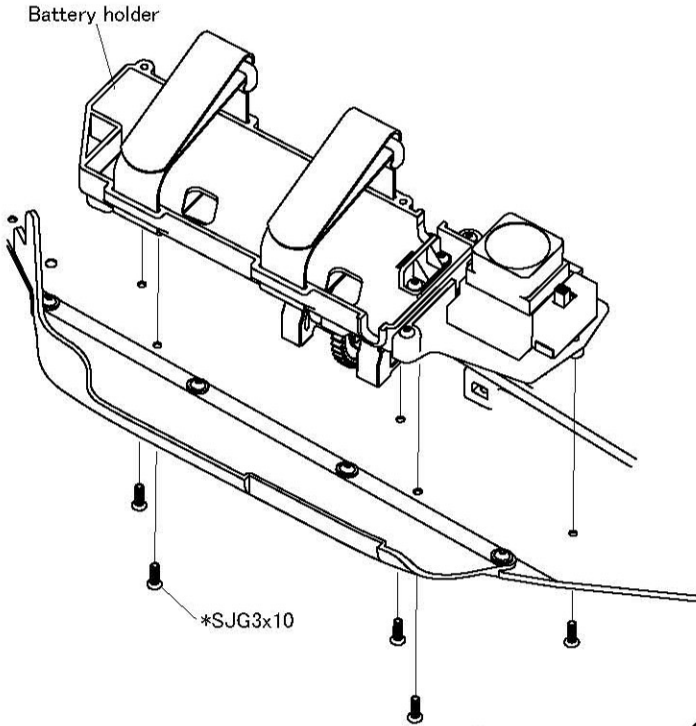
Pass the connecting cable.

B0406
Cut it in a suitable size.

5 Radio Plate

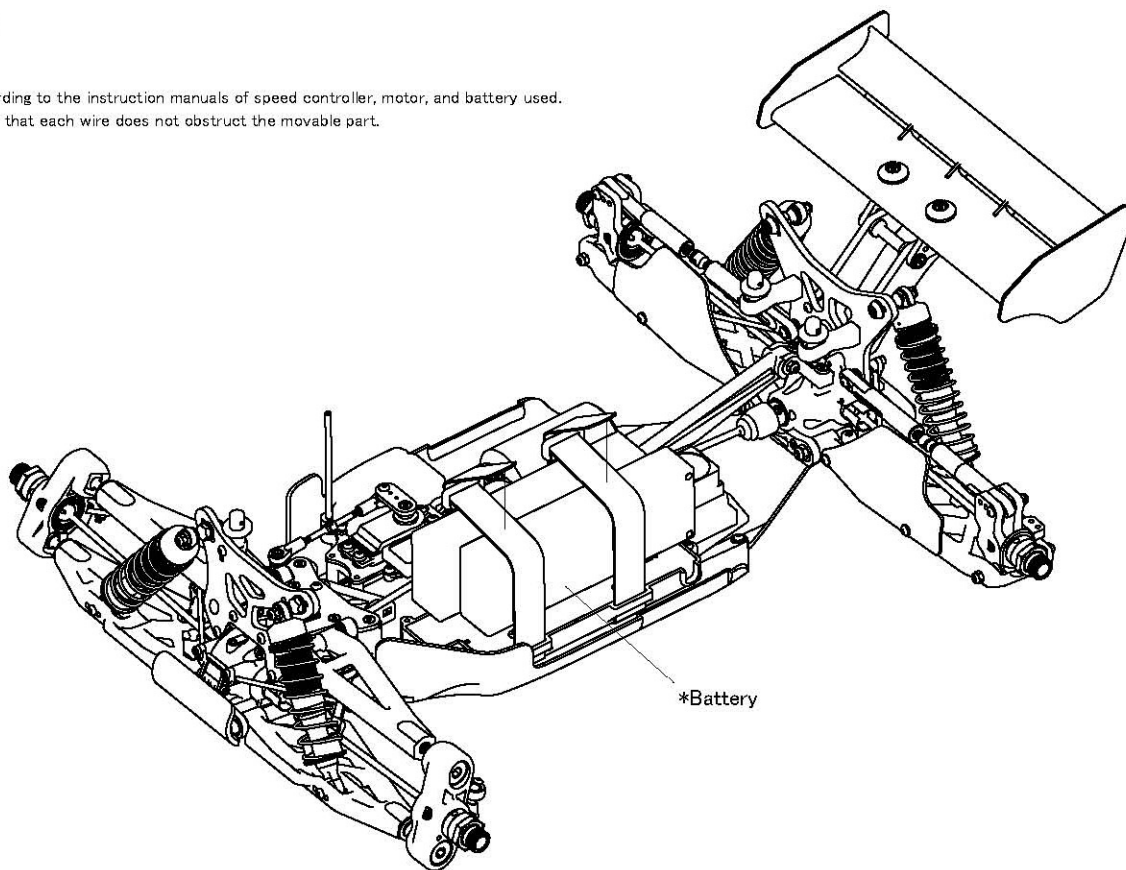


*Put each code in the E0328B not to get entangled.



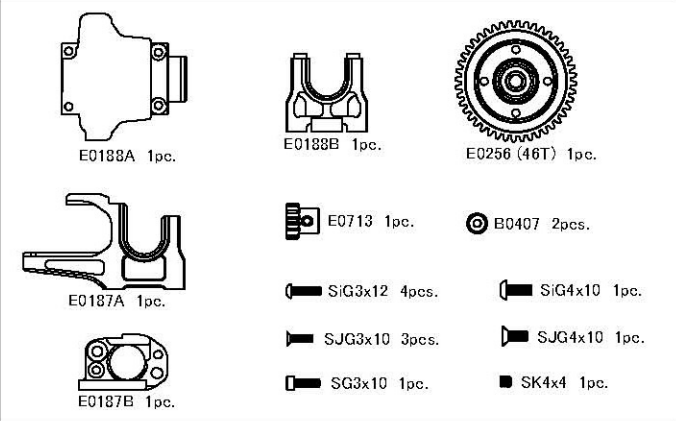
6 Battery

- *Wire according to the instruction manuals of speed controller, motor, and battery used.
- *Make sure that each wire does not obstruct the movable part.

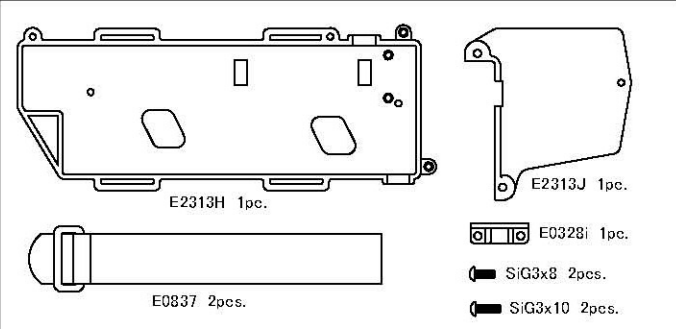


Kit Bag Details

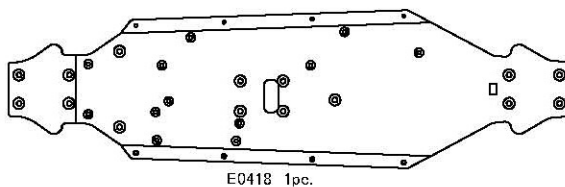
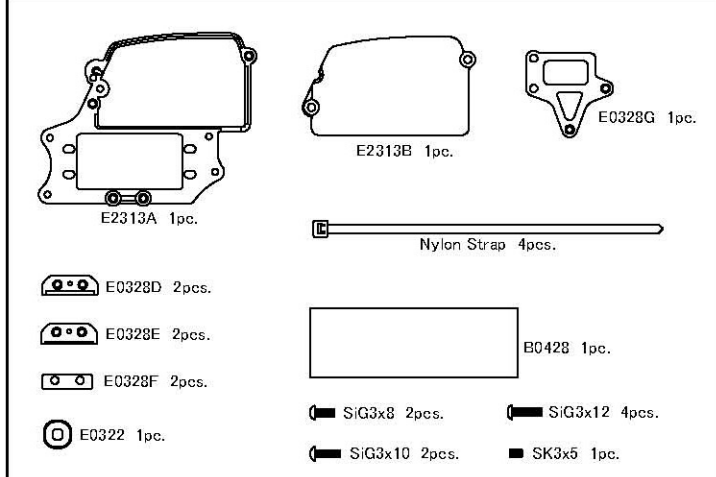
Kit Bag - A



Kit Bag - B



Kit Bag - C



Instruction Manual 1pc.
Parts List 1pc.

MUGEN SEIKI CO., LTD.

1395 Takane-cho, Funabashi, Chiba
274-0817, Japan

E-mail: support@mugenseiki.com
www.mugenseiki.co.jp
www.mugenseiki.com

MUGEN SEIKI RACING LTD.

20525 Crescent Bay Drive
Lake Forest, CA 92630, USA

E-mail: support@mugenracing.com
www.mugenracing.com

MSE MUGEN SEIKI Europe Vertriebs GmbH

Aufm Wasserkamp 3,
D-45881 Gelsenkirchen, Germany

E-mail: info@mugen.eu
www.mugen.eu