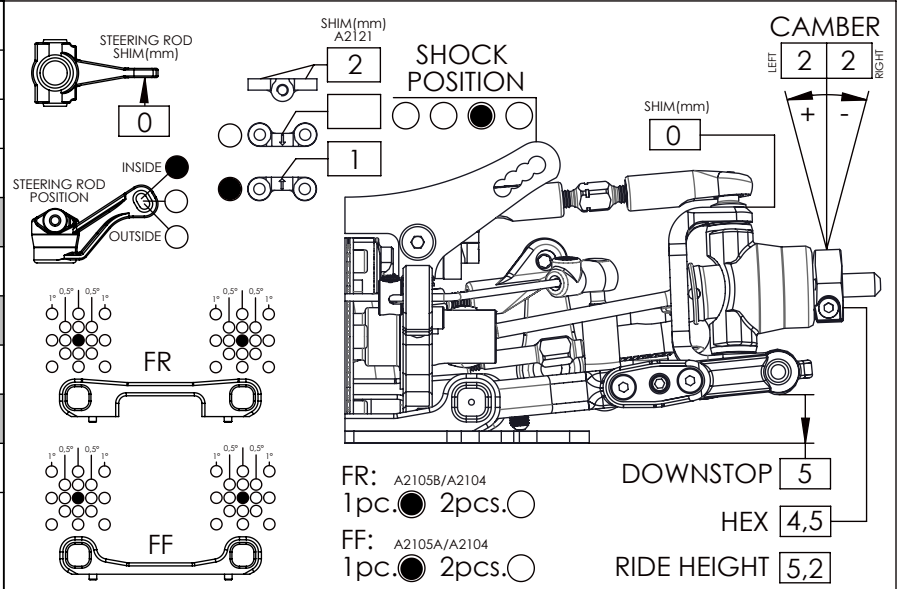
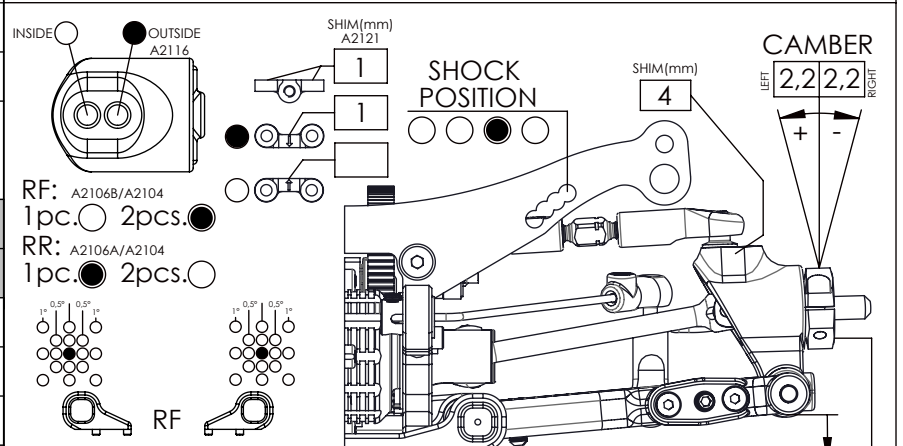


DATE	27.09.2018	
DRIVER	Robert Pietsch	
TRACK	SFMAV	
CARPET	<input type="checkbox"/>	ASPHALT <input checked="" type="checkbox"/>
TRACTION		
LOW	<input type="checkbox"/>	MEDIUM <input checked="" type="checkbox"/> HIGH <input type="checkbox"/>
LAYOUT		
SLOW	<input type="checkbox"/>	MIXED <input checked="" type="checkbox"/> FAST <input type="checkbox"/>
ELECTRIC'S		
STEERING SERVO	TYPE	SETTINGS
ESC	TYPE	SETTINGS
ENGINE	TYPE	SETTINGS
TYRES/ADDITIVE	TYPE	TYPE



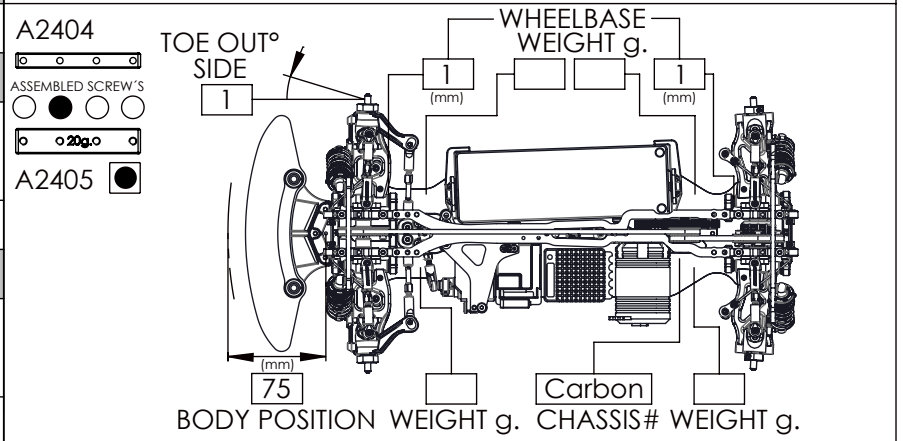
FRONT FULL	<input checked="" type="checkbox"/>	REAR FULL	<input checked="" type="checkbox"/>
MIN.	10	MIN.	10
SHOCK ABSORBERS			
FRONT		REAR	
PISTON	kit	PISTON	kit
OIL	400	OIL	450
SPRING	xray 2,5-2,8	SPRING	xray 2,8



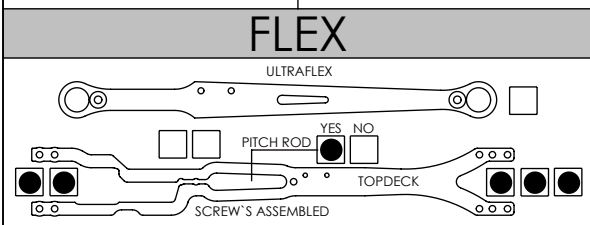
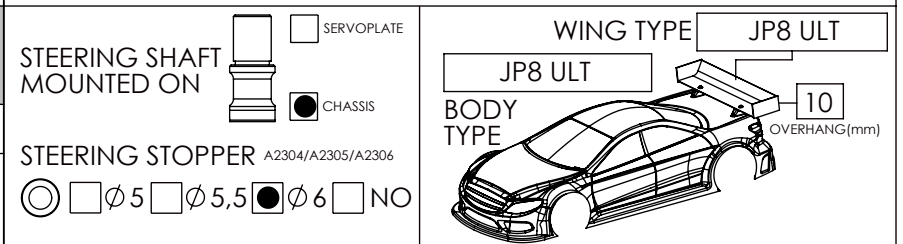
ANTI ROLL BAR FRONT			
1,2	<input type="checkbox"/>	1,3 <input checked="" type="checkbox"/>	1,4 <input type="checkbox"/> 1,5 <input type="checkbox"/>
ANTI ROLL BAR REAR			
1,1	<input type="checkbox"/>	1,2 <input checked="" type="checkbox"/>	1,3 <input type="checkbox"/> 1,4 <input type="checkbox"/>



SERVO SAVER POSITION			
FORWARD	<input type="checkbox"/>	REARWARD	<input checked="" type="checkbox"/>
PINION	<input type="checkbox"/>	SPUR	<input type="checkbox"/>
DIFF	<input type="checkbox"/>	SPOOL	<input type="checkbox"/>
HIGH	<input checked="" type="checkbox"/>	HIGH	<input checked="" type="checkbox"/>
LOW	<input type="checkbox"/>	LOW	<input type="checkbox"/>



SHOCK POSITION LOWER ARM			
PART#	REAR kit	PART#	FRONT kit
HOLE POSITION BALL LINK	INSIDE <input type="checkbox"/> OUTSIDE <input checked="" type="checkbox"/>	HOLE POSITION BALL LINK	INSIDE <input type="checkbox"/> OUTSIDE <input checked="" type="checkbox"/>



NOTES: