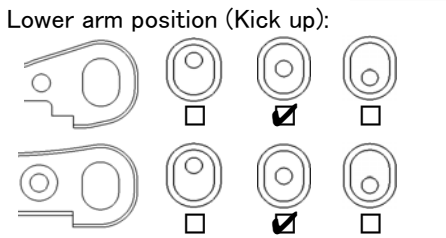
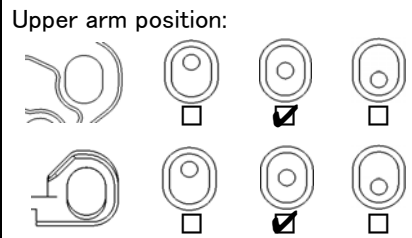
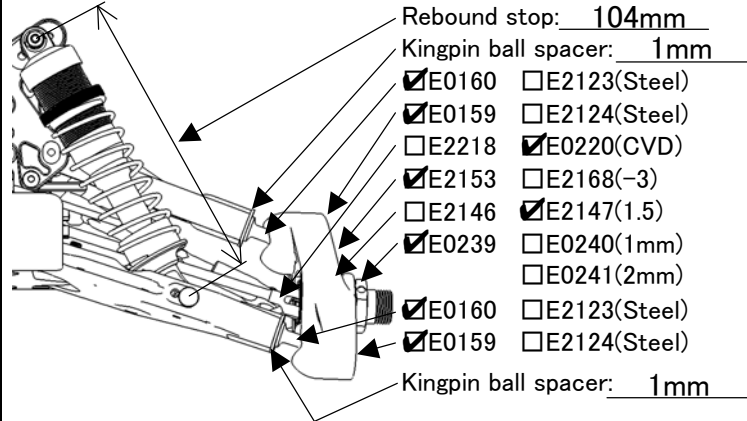


Name: E2022
Date: _____
Track: _____

Track conditions
Size: Open Med. Tight
Traction: High Med. Low
Surface: Smooth Med. Bumpy

Result
Race time / Lap: _____
Best lap (1Lap): _____

Front suspension



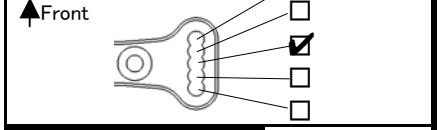
Ride height: 24mm
Toe angle: out
Lower arm plate:
 E2144A,B
 E2154(CFRP 1mm)
 E2155(CFRP 1.2mm)
Anti roll bar: ϕ 2.3 (E0164)
Upper arm spacer: 2mm
Lower arm spacer: 0

Front shocks

Piston: E2525 Oil: #550
Spring: ϕ 1.6L70-9 (E2517)
Shock position:

Pivot ball position: Front Rear
Damper stay: E2562(Aluminum)
 E2565(CFRP)

Steering ackerman



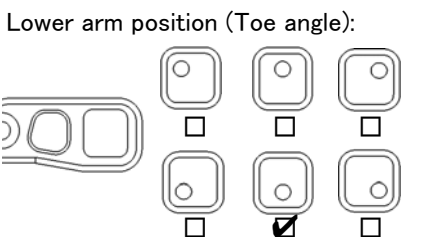
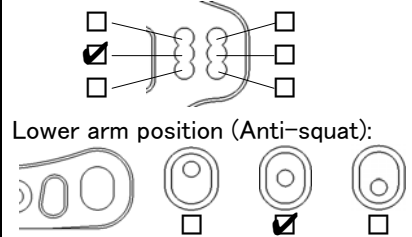
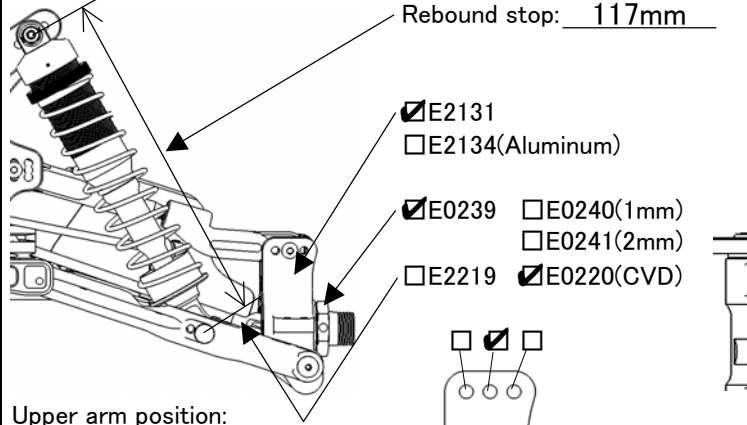
Front upper plate

E2148D E2158(CFRP)

Servo saver arm

E2301A E2310(Aluminum)

Rear suspension



Ride height: 26mm
Camber angle: -3°
Lower arm plate:
 E2145A,B
 E2156(CFRP 1mm)
 E2157(CFRP 1.2mm)
Anti roll bar: ϕ 2.7 (E0168)
Lower arm spacer: 0
Upright spacer: 2.5mm

Rear shocks

Piston: E2525 Oil: #550
Spring: ϕ 1.6L86-10.5 (E0554)
Shock position:

Pivot ball position: Front Rear
Damper stay: E2563(Aluminum)
 E2566(CFRP)

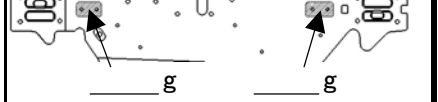
Center shaft

E2228,E2229
 E0223,E0259(CVD) E2261,E2262

Tension rod

Front: E2107A(Long) E2107B(Short)
Rear: E2148C E0803(Rubber)

Weight



Power train

Motor: _____
ESC: _____
Battery: _____

Diff. gear

Oil _____
Front: 44/13T 42/12T #5,000
Rear: 44/13T 42/12T #2,000
Center: 44T 46T #5,000

Tires

	Front	Rear
Type:	_____	_____
Compound:	_____	_____
Inserts:	_____	_____
Wheel:	_____	_____

Pinion gear

12T 13T 14T
 15T 16T 17T
 18T

Body/Wing

Body: Kit
Wing: Kit
Wing stay: E2422A E2428A(+15)
Wing position:

Comments

.....
.....
.....
.....