

# PRO STARTER R3

## INSTRUCTION MANUAL

### FOR 1/8 SCALE RACING CAR and 1/10 SCALE TOURING CAR

Congratulations for buying the MUGEN PRO STARTER R3.  
The PRO STARTER R3 runs on two 7.2~7.4V batteries (purchase separately) and uses two 540 motors.  
This starter box is compact size and easy to start the engine.

#### Caution

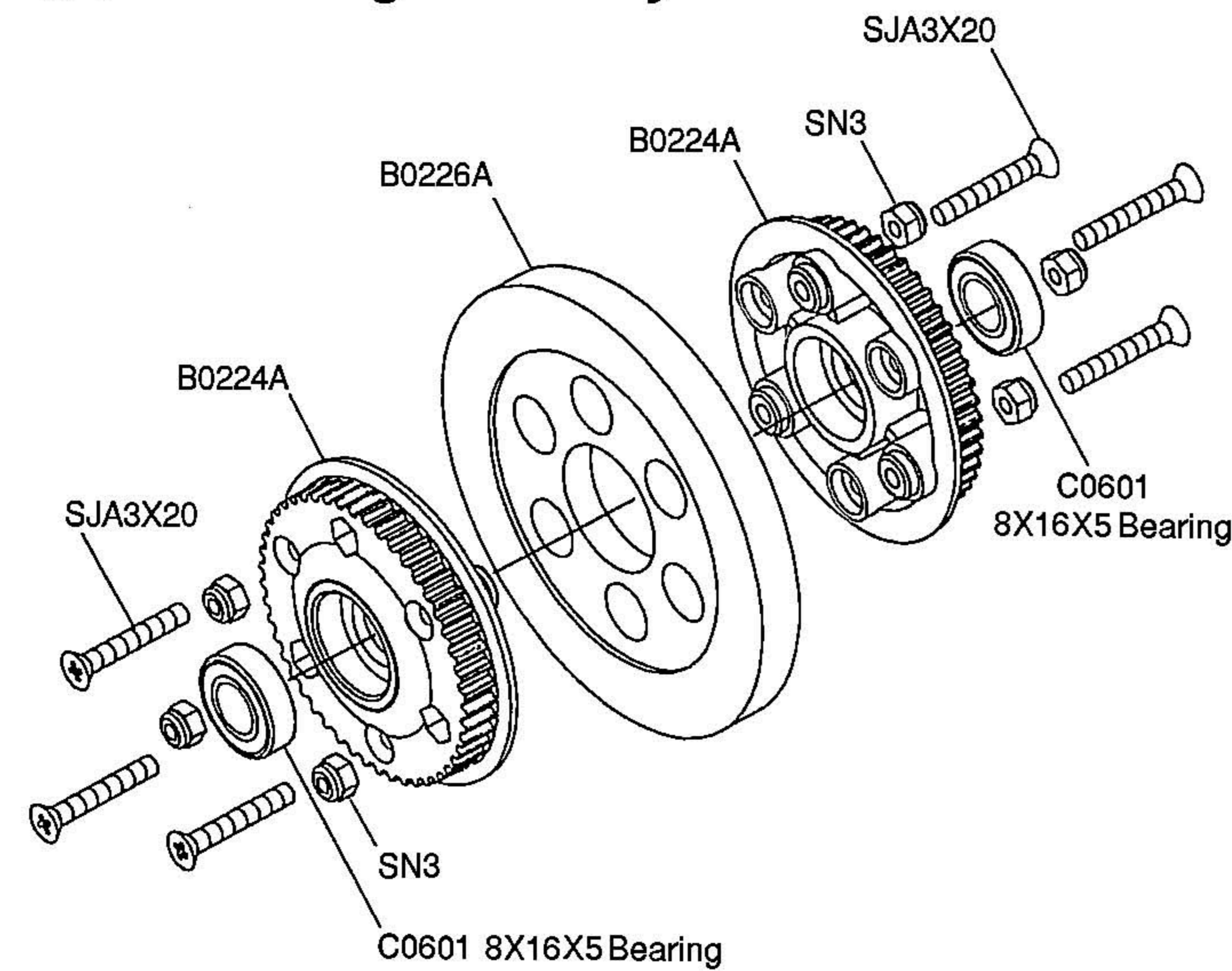
Read carefully and fully understand the instructions before commencing assembly.

#### Safety Precaution

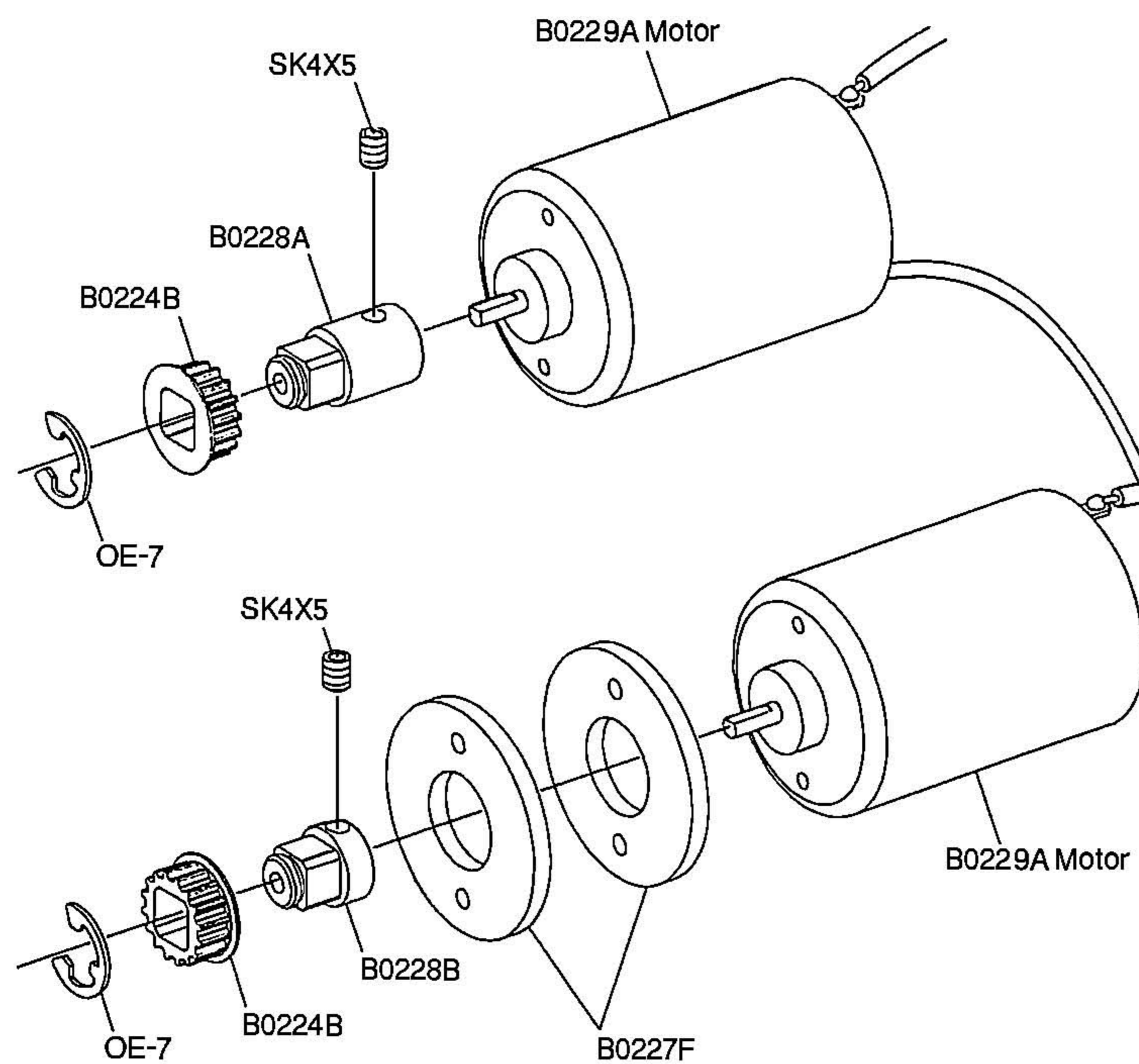
Follow the guidelines below.

1. When assembling the starter box, use the edged tools with care to avoid injury.
2. Check the wiring cord to avoid the excess heat build-up and possibly a fire. Bundle the wiring cord with strap.
3. If the assembly of drive unit is incomplete, it could cause a damage to the motor.
4. Do not touch the drive unit while it's rotating.
5. Disconnect the battery when you do not use.

#### ① Starter Ring Assembly

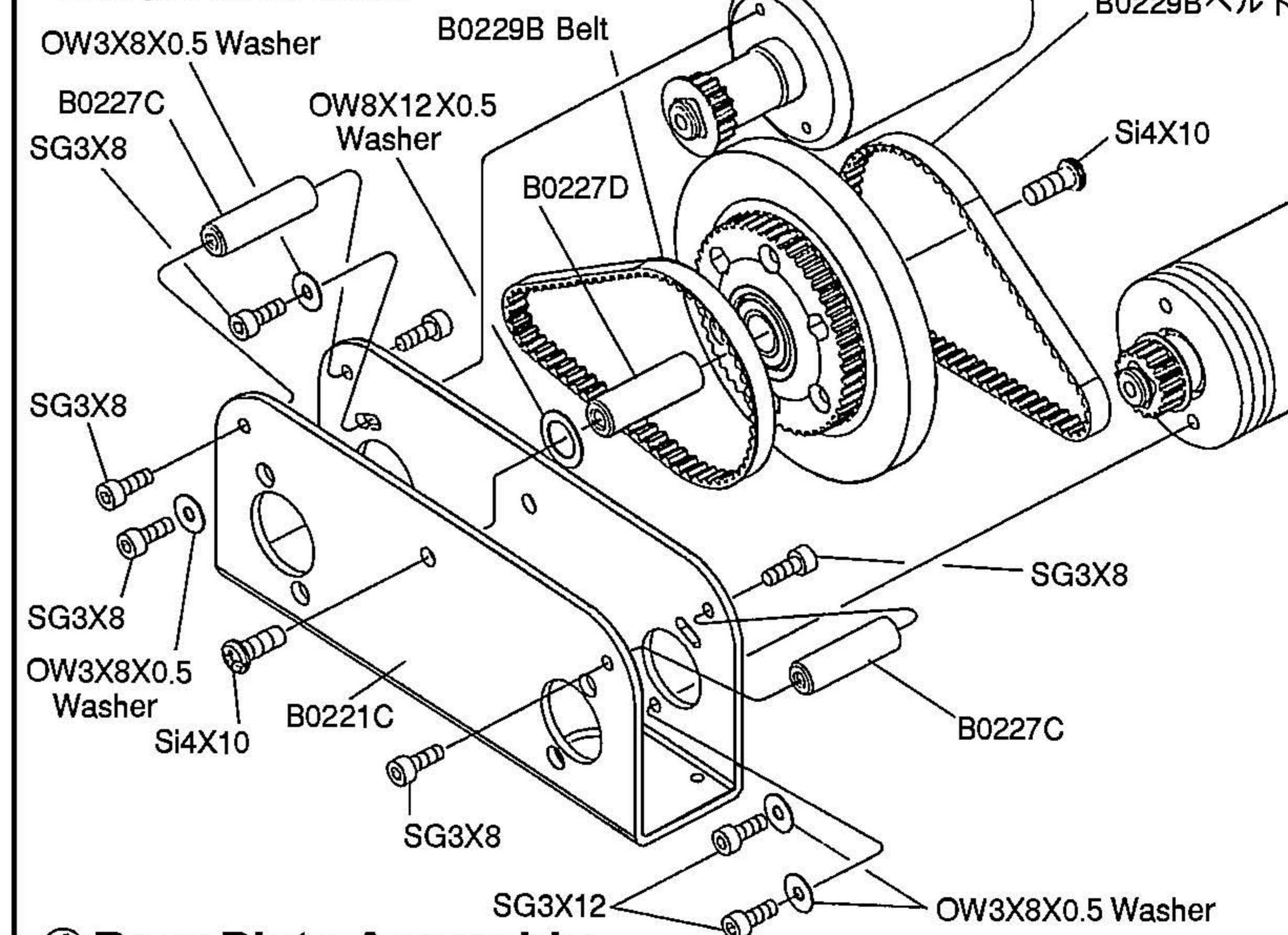


#### ② Motor Pulley Assembly

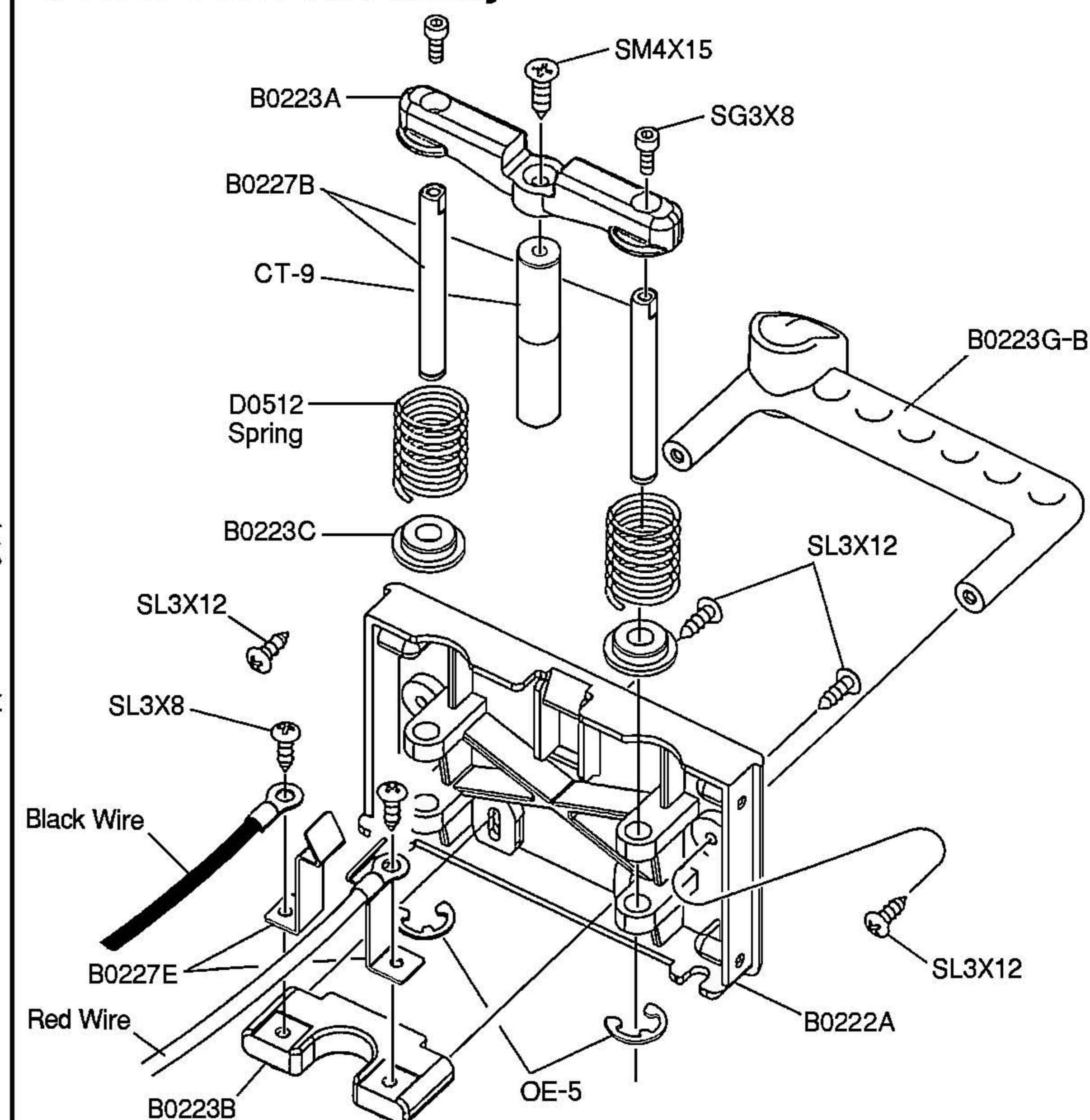


#### ③ Drive Unit Assembly

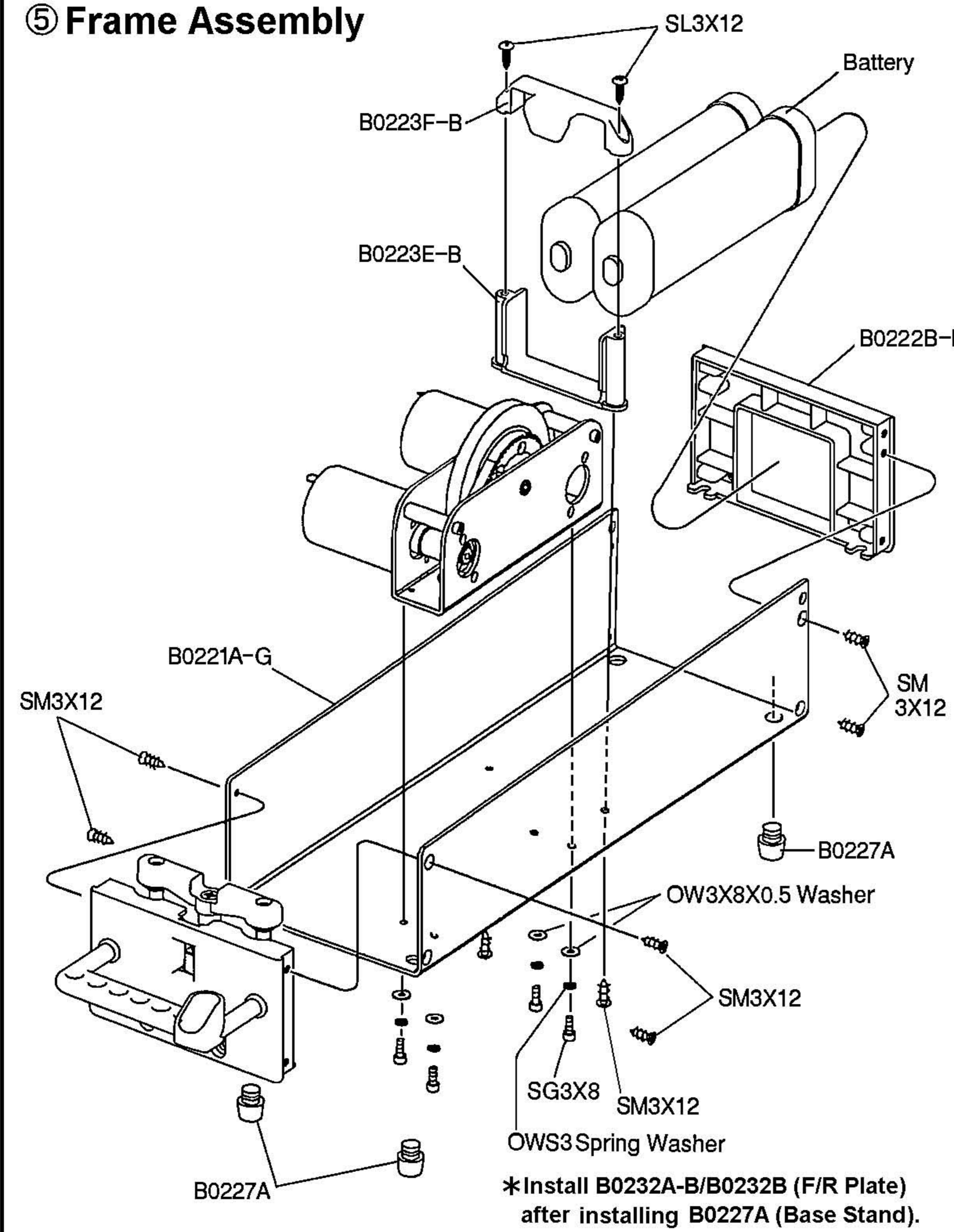
\* Adjust the tension of B0229B Belt when you set the motor.



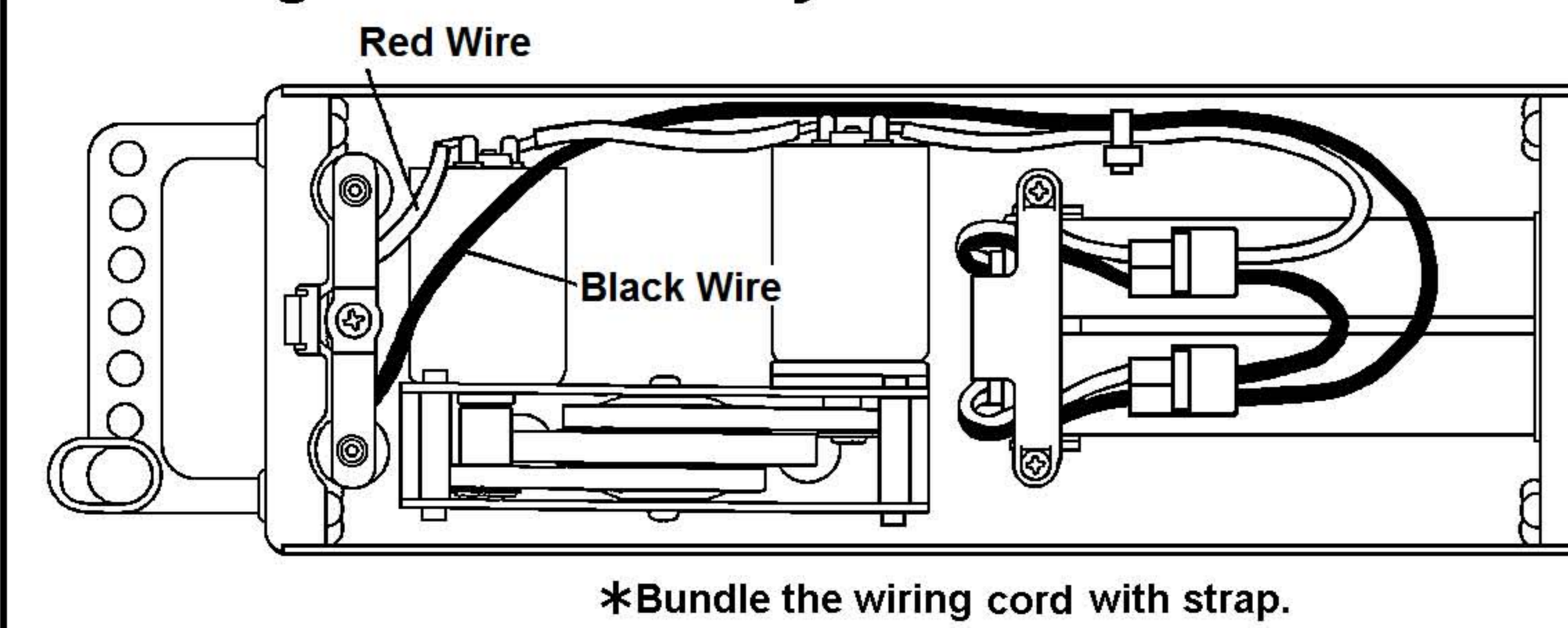
#### ④ Rear Plate Assembly



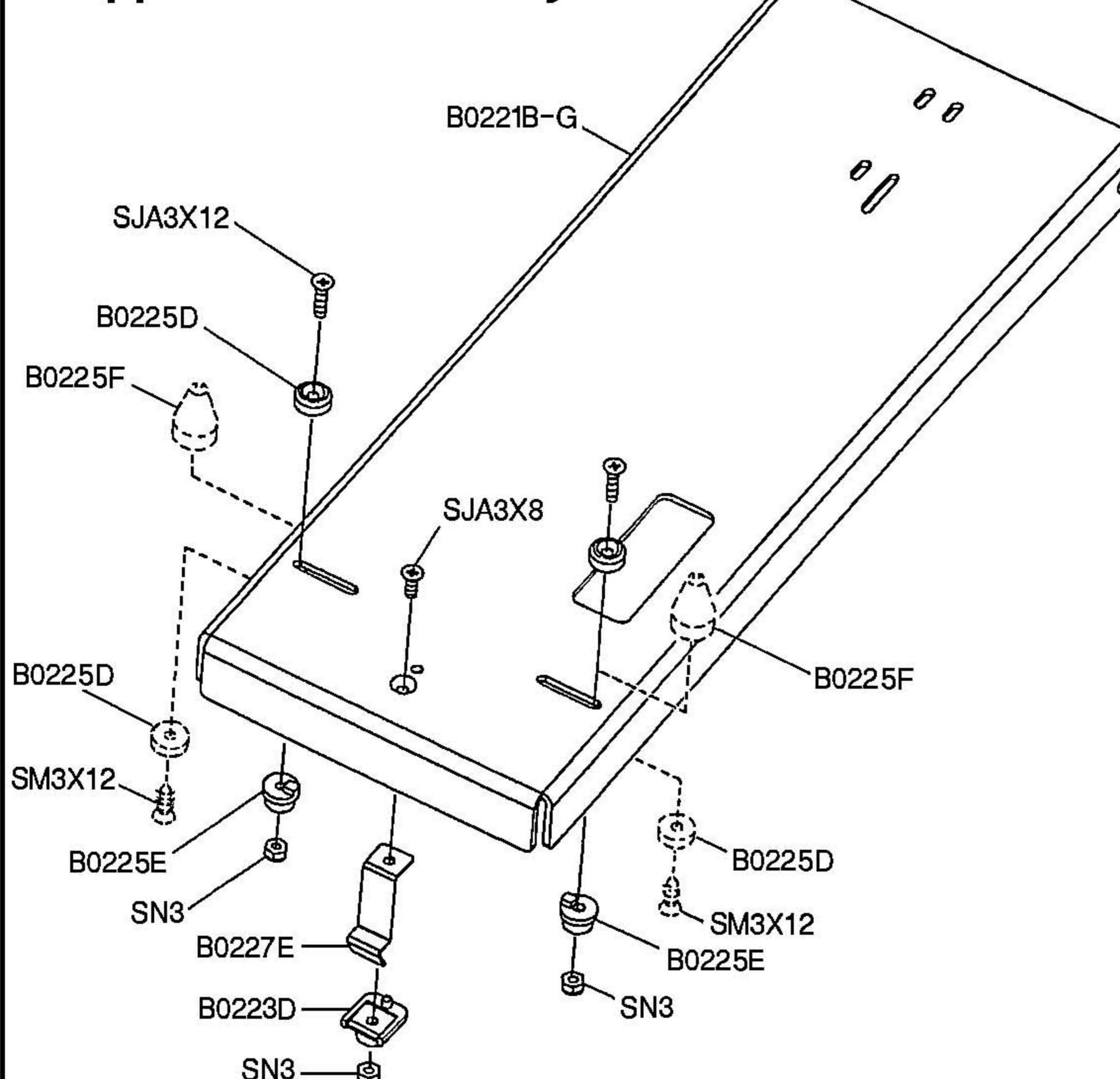
#### ⑤ Frame Assembly



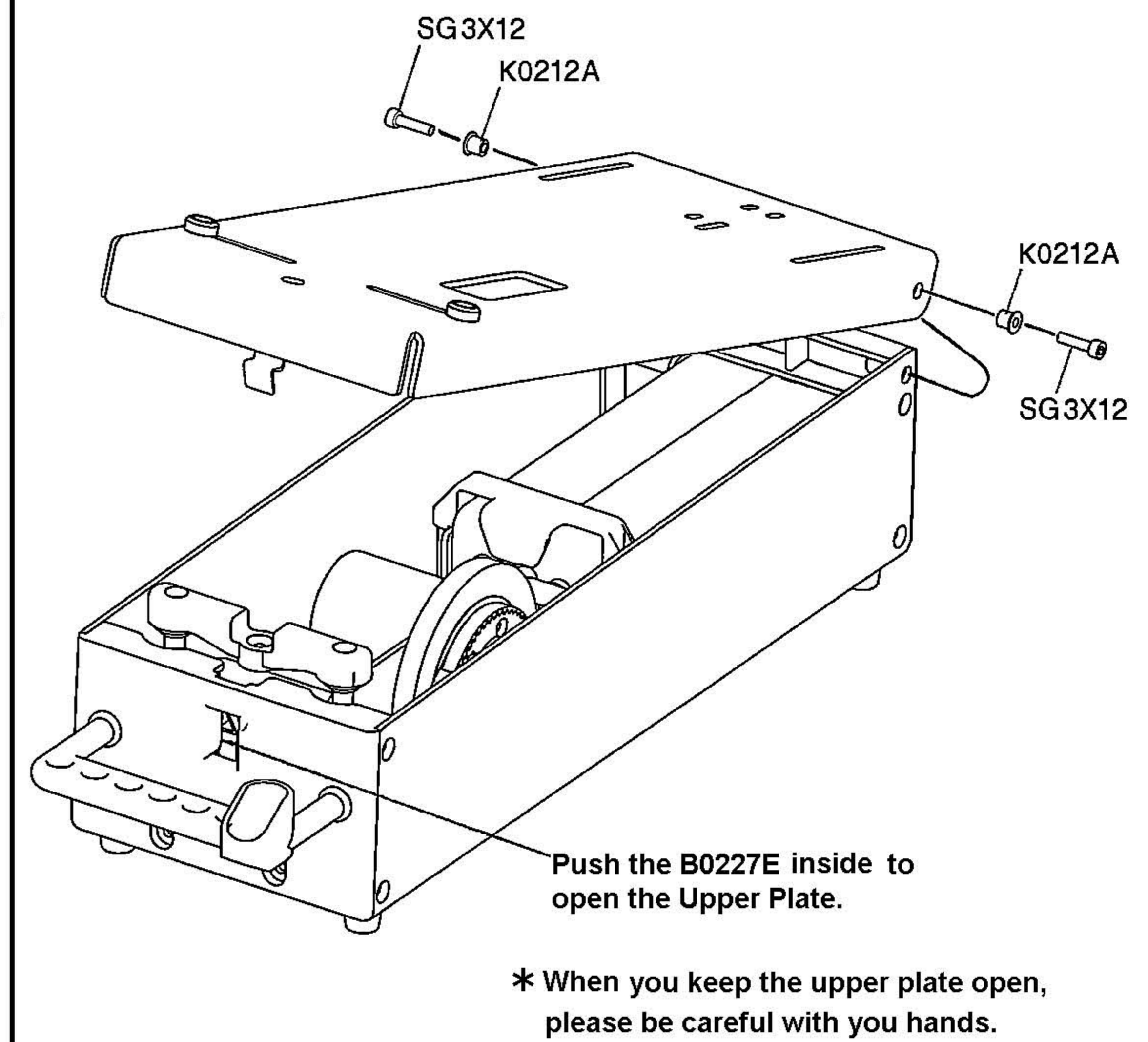
#### ⑥ Wiring Cord Assembly



#### ⑦ Upper Plate Assembly



#### ⑧ Installation of Upper Plate



### PRO STARTER R3 PARTS LIST

| P/N      | Description                            | Description  |
|----------|--|--|
| B0221A-G | Frame (Gray)                           | B0221A-G 1pc. B0221B-G 1pc.  |
| B0221C/1 | Motor Mount                            | B0221C 1pc. B0227C 1pc. B0227D 1pc. B0227F 2pcs.   |
| B0222-B  | F/R Plate                              | B0222A 1pc. B0222B-B 1pc.  |
| B0223-B  | Switch Parts                           | B0223A 1pc. B0223B 1pc. B0223C 2pcs. B0223D 1pc. B0223E-B 1pc. B0223F-B 1pc. B0223G-B 1pc. |
| B0224    | Pulley                                 | B0224A 2pcs. B0224B 2pcs.  |
| B0225    | Motor Parts                            | B0225A 1pc. B0225B 1pc. B0225C 1pc. B0225D 2pcs. B0225E 2pcs. B0225F 4pcs. B0225G 1pc.     |
| B0226    | Starter Ring                           | B0226A 1pc.  |
| B0227A   | Base Stand                             | B0227A 4pcs.   |
| B0227B   | Switch Shaft                           | B0227B 2pcs.   |
| B0227E/1 | Switch                                 | CT-9 1pc. B0227E 3pcs.   |
| B0228A   | Pulley Adapter L                       | B0228A 1pc.  |
| B0228B   | Pulley Adapter S                       | B0228B 1pc.  |
| B0229A/1 | Starter Motor                          | Motor 1pc.   |
| B0229B   | Starter Belt                           | 1pc.   |
| B0233    | Battery Cord for PRO STARTER (for 12V) | 1pc.   |
| C0601    | 8x16x5 Bearing                         | 2pcs.  |
| D0512    | Spring                                 | 2pcs.  |
| K0212    | King Pin Color                         | 4pcs.  |