

DATE	
DRIVER	
TRACK	

CARPET ASPHALT

TRACTION

LOW MEDIUM HIGH

LAYOUT

SLOW MIXED FAST

ELECTRIC'S

STEERING SERVO	TYPE	SETTINGS
ESC	TYPE	SETTINGS
ENGINE	TYPE	SETTINGS
TYRES/ADDITIVE	TYPE	TYPE

FRONT	FULL <input type="checkbox"/>	REAR	FULL <input type="checkbox"/>
	MIN. <input type="checkbox"/>		MIN. <input type="checkbox"/>

SHOCK ABSORBERS

FRONT REAR

PISTON

OIL

SPRING

ANTI ROLL BAR FRONT

1,2 1,3 1,4 1,5

ANTI ROLL BAR REAR

1,1 1,2 1,3 1,4

SERVO SAVER POSITION

FORWARD REARWARD

PINION

DIFF

SPUR

SPOOL

HIGH

LOW

DIFF OIL CST

SHOCK POSITION LOWER ARM

PART#	REAR	PART#	FRONT
HOLE POSITION BALL LINK	INSIDE <input type="checkbox"/>	HOLE POSITION BALL LINK	INSIDE <input type="checkbox"/>
	OUTSIDE <input type="checkbox"/>		OUTSIDE <input type="checkbox"/>

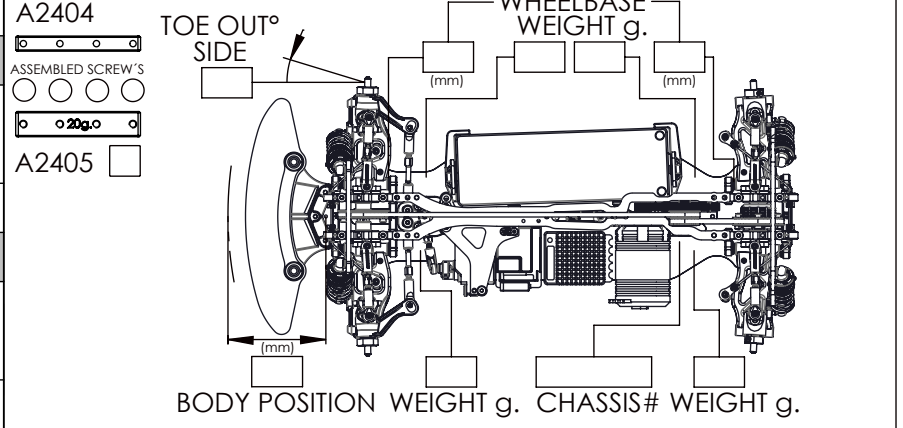
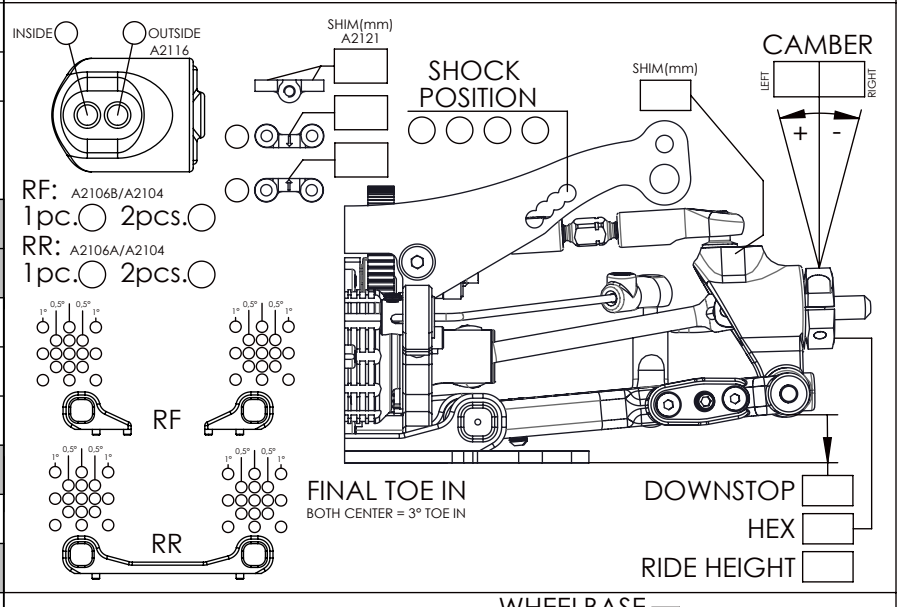
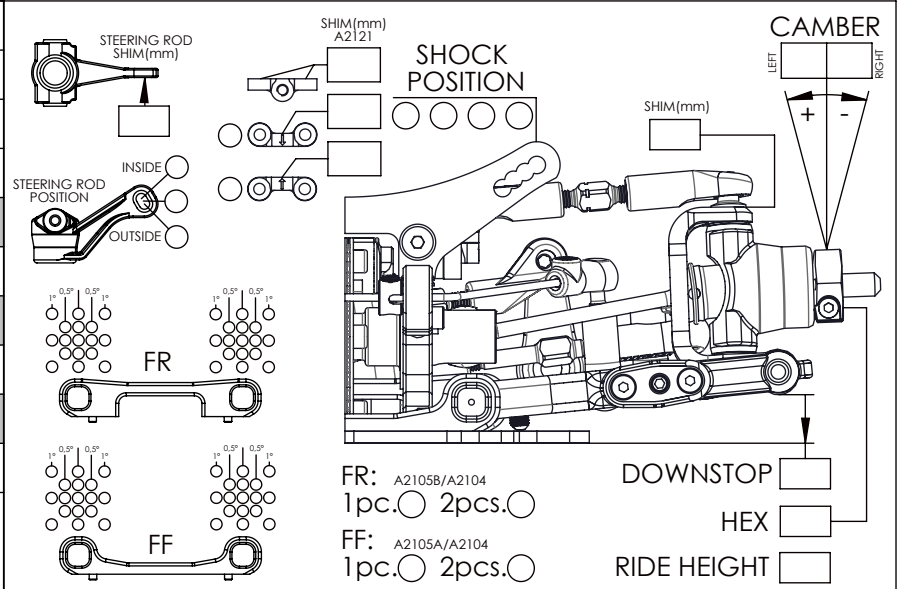
FLEX

ULTRAFLEX

PITCH ROD YES NO

TOPDECK

SCREW'S ASSEMBLED



STEERING SHAFT MOUNTED ON	SERVOPLATE <input type="checkbox"/>	CHASSIS <input type="checkbox"/>	WING TYPE
STEERING STOPPER A2304/A2305/A2306	<input type="checkbox"/> <input type="checkbox"/> <input type="checkbox"/> <input type="checkbox"/> <input type="checkbox"/> <input type="checkbox"/> <input type="checkbox"/> <input type="checkbox"/>		BODY TYPE
			OVERHANG(mm)

NOTES: