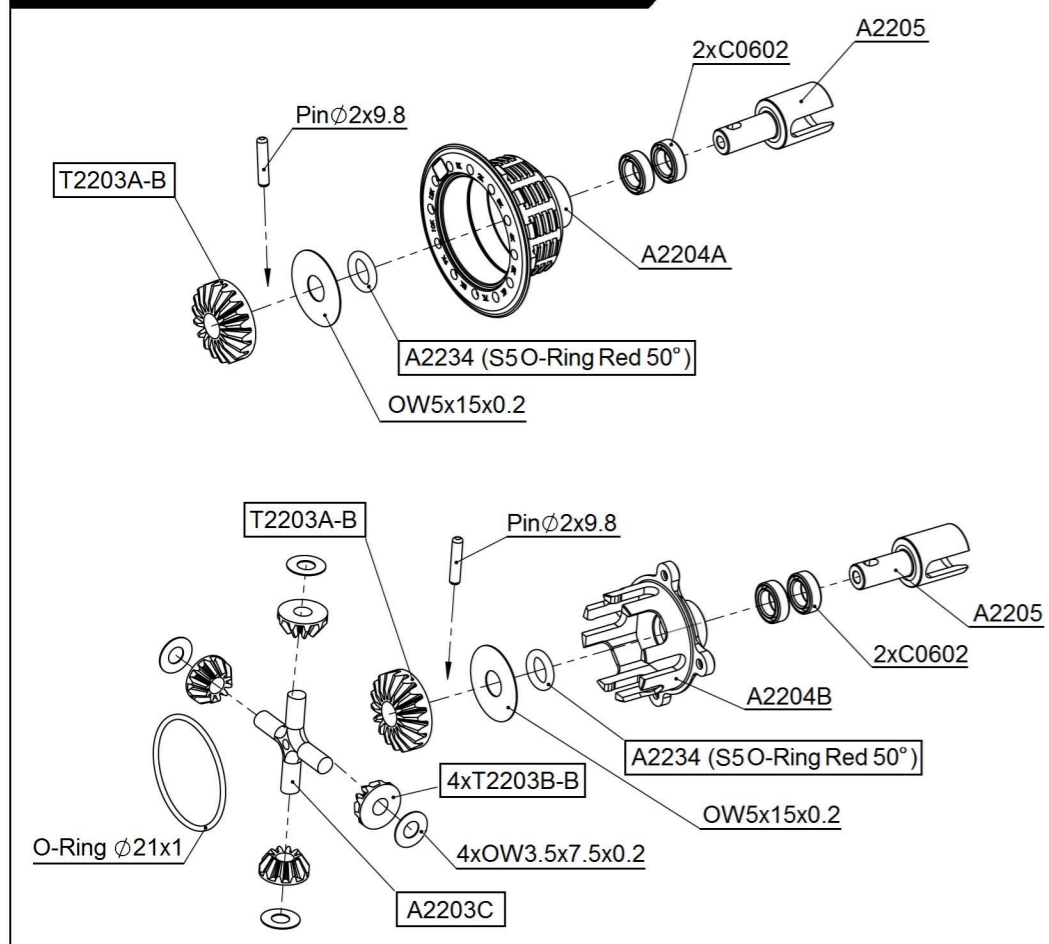


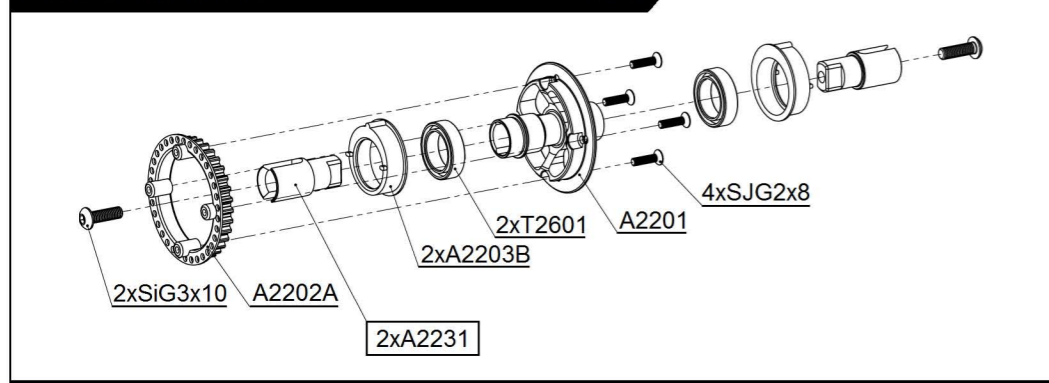
# A2002 MTC1 Performance conversion set

The parts shown by  of assembly drawing have been changed.  
組立図の  で表記された部品を交換又は取付けます。

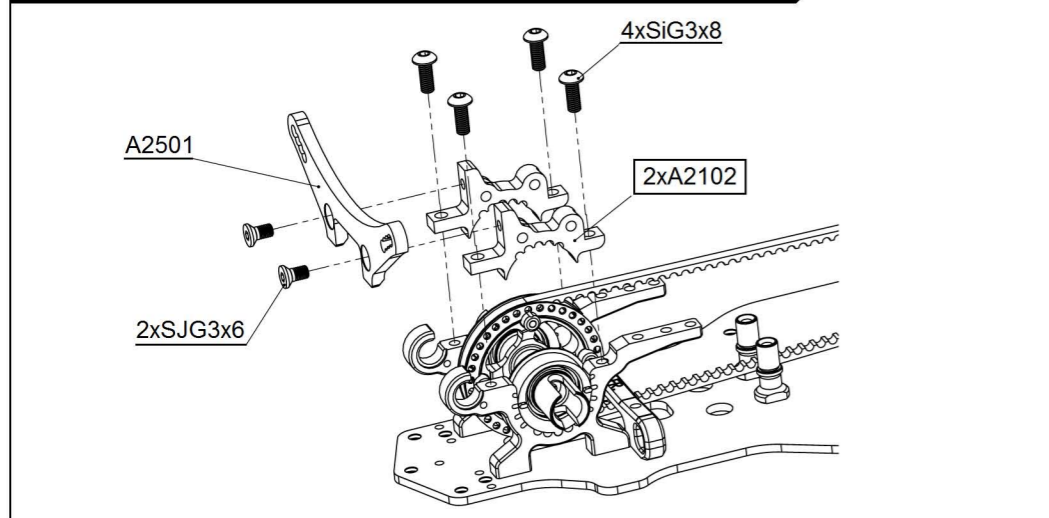
## Gear Differential STEP1



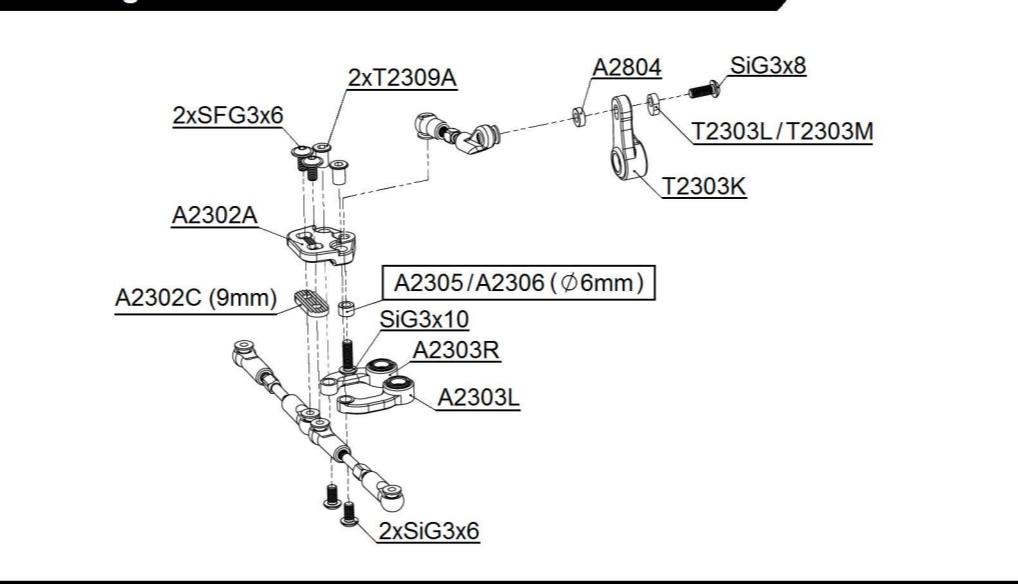
## Front Solid Axle STEP4



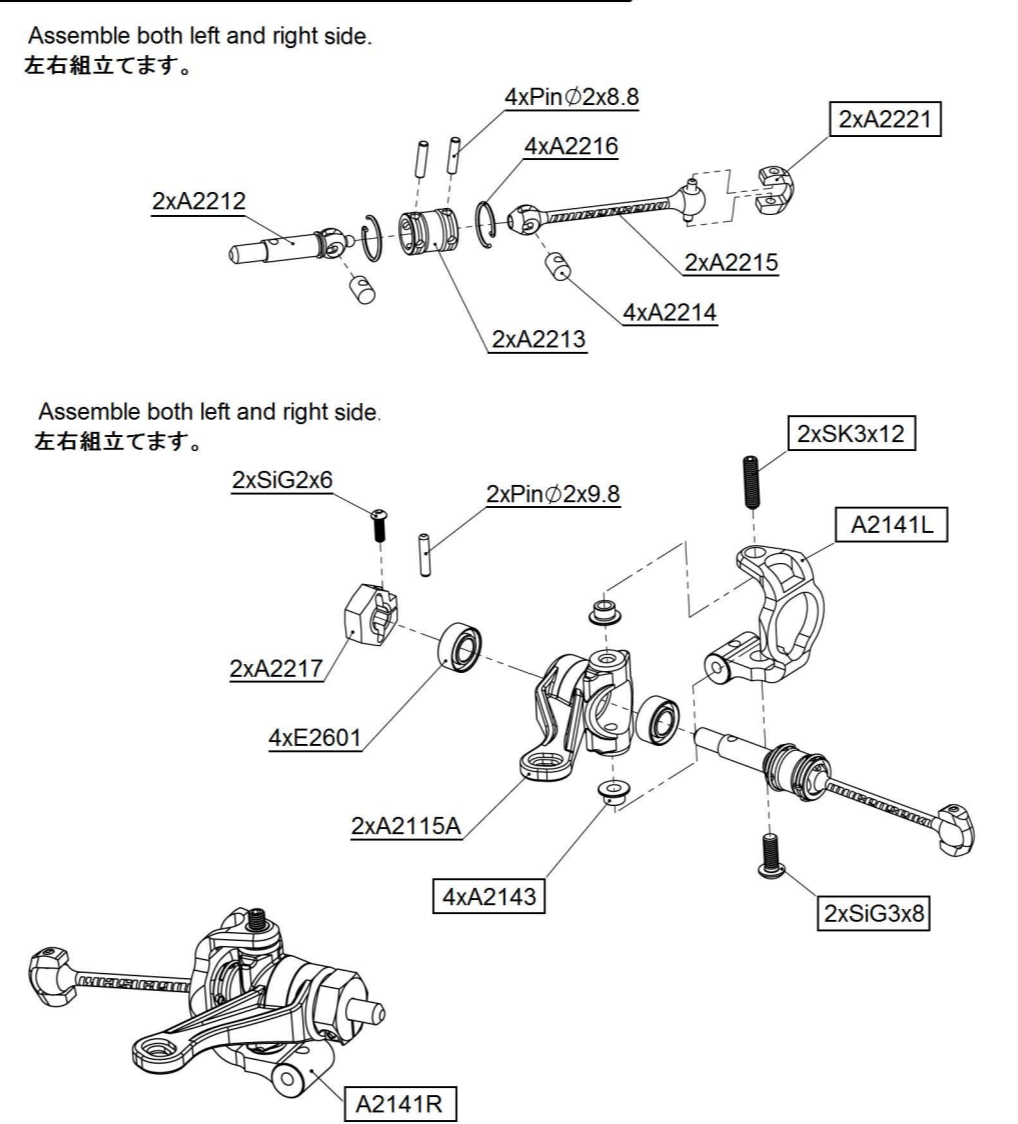
## F/R Upper Bulkhead / F/R Shock Plate STEP8



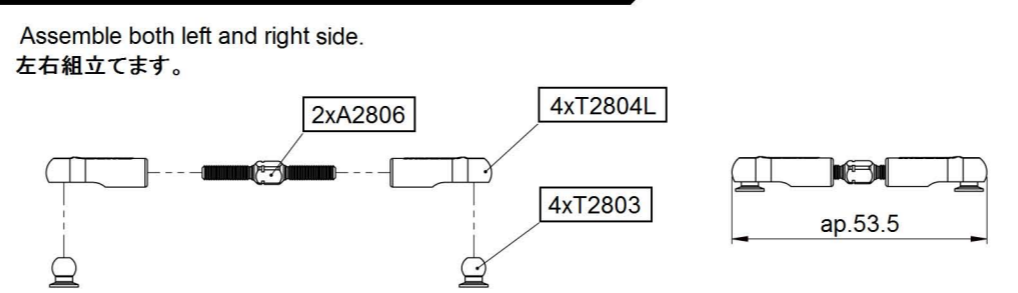
## Steering Rod STEP15



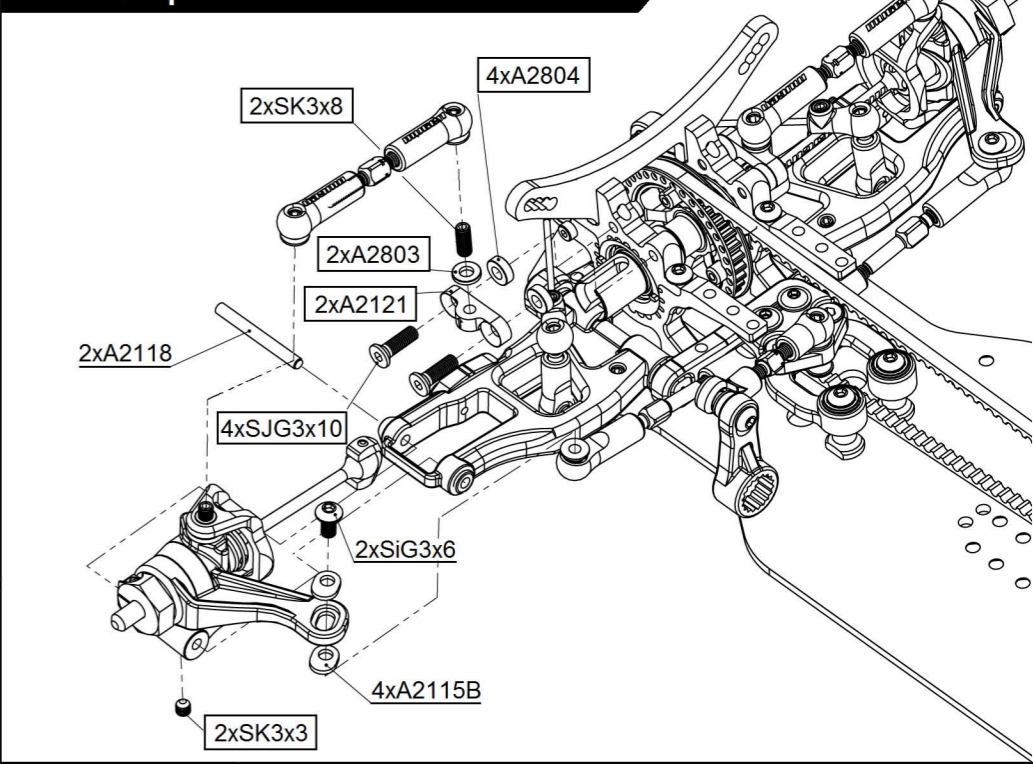
## Front Universal Joint STEP17



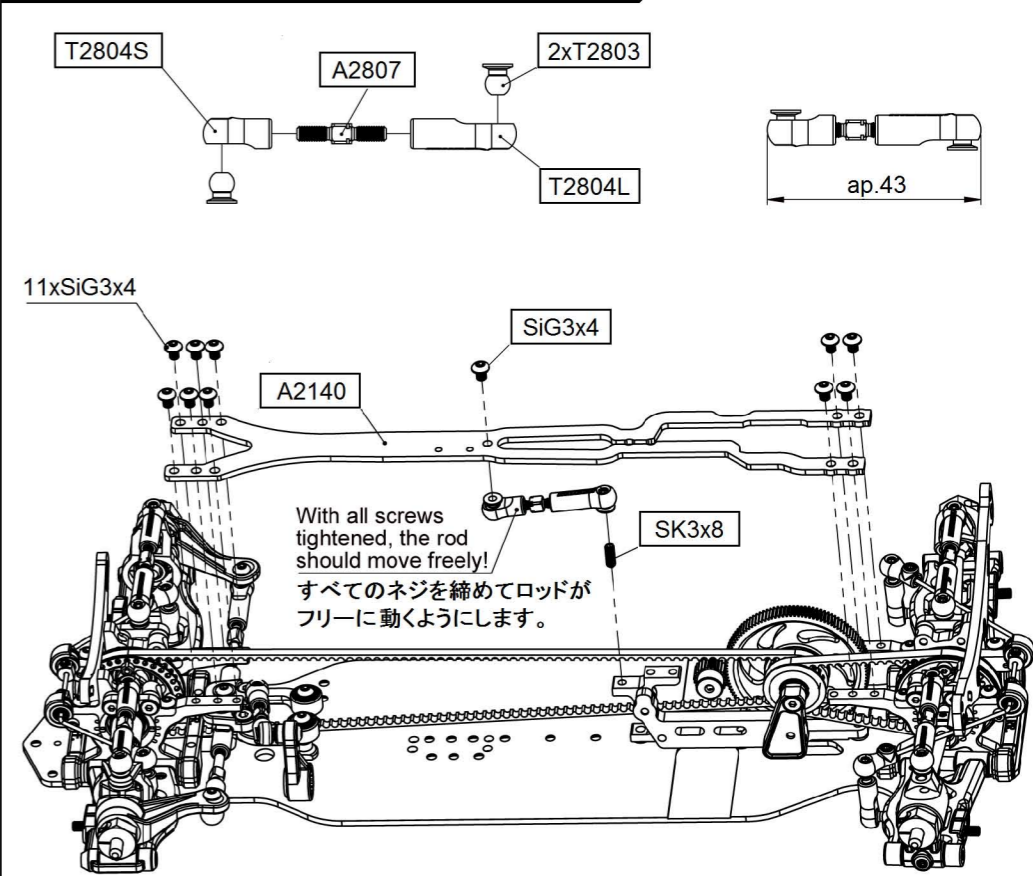
## Front Suspension (Upper Arm) STEP18



## Front Suspension STEP18



## Upper Deck STEP21



## Front / Rear Damper STEP22

