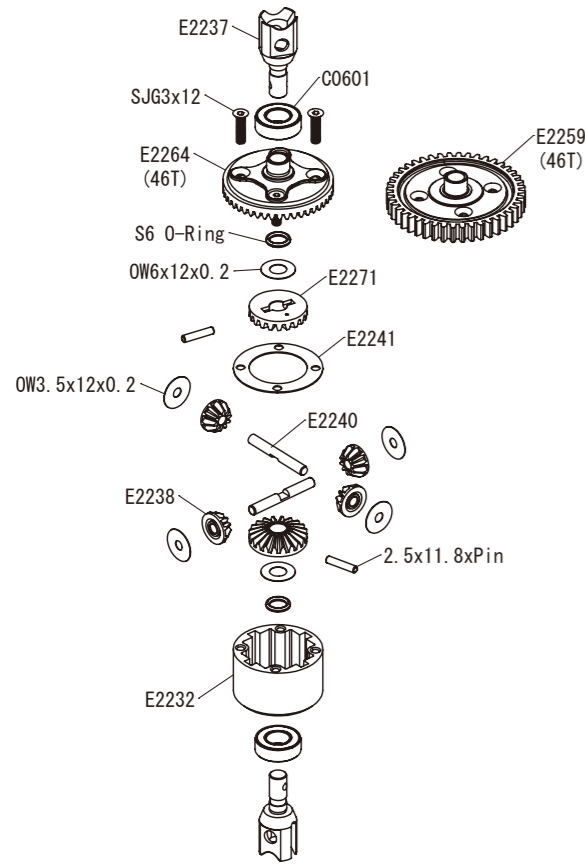


# E2030 MBX8TR ECO Exploded View

## Front/Rear/Center Gear Differential



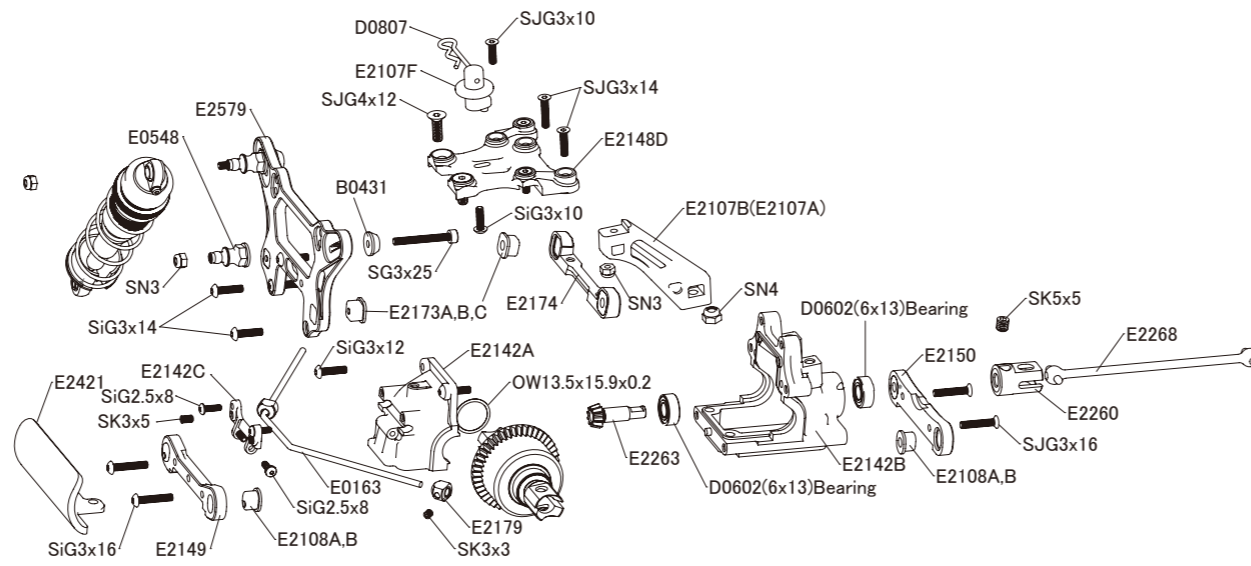
### Option Parts

E2602	8x16x5 NMB Bearings (2pcs.)
E2602/1	8x16x5 NMB Bearings (10pcs.)

### Spur Gear

E2258a	Spur Gear 44T
●E2259a	Spur Gear 46T

## Front Gearbox



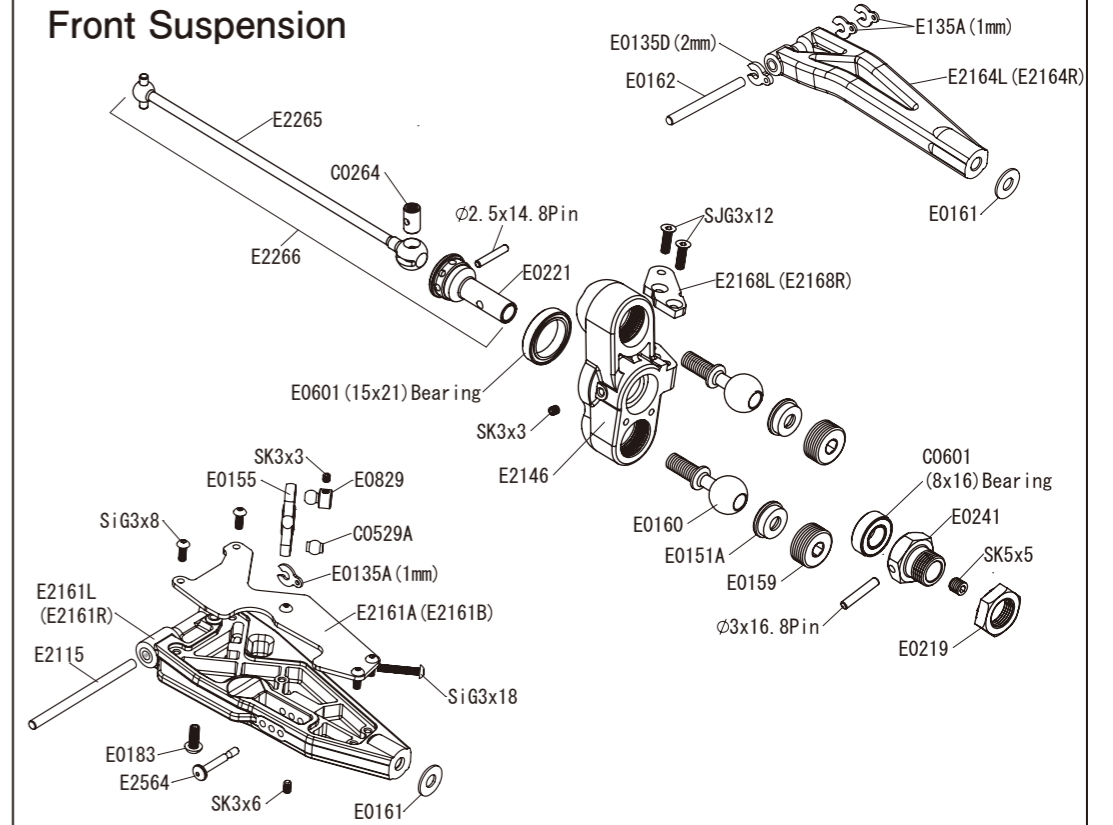
### Option Parts

E2230	Center Universal Joint F (82.5)
E2158a	Front Upper Plate (CFRP)
E2603	6x13x5 NMB Bearings (2pcs.)
E2603/1	6x13x5 NMB Bearings (10pcs.)

### Front Anti-roll Bar

E2184	φ 2.0
E0175	φ 2.1
●E0163	φ 2.2
E0164	φ 2.3
E0165	φ 2.4
E0166	φ 2.5
E0167	φ 2.6
E2136	φ 2.7
E2137	φ 2.8

## Front Suspension

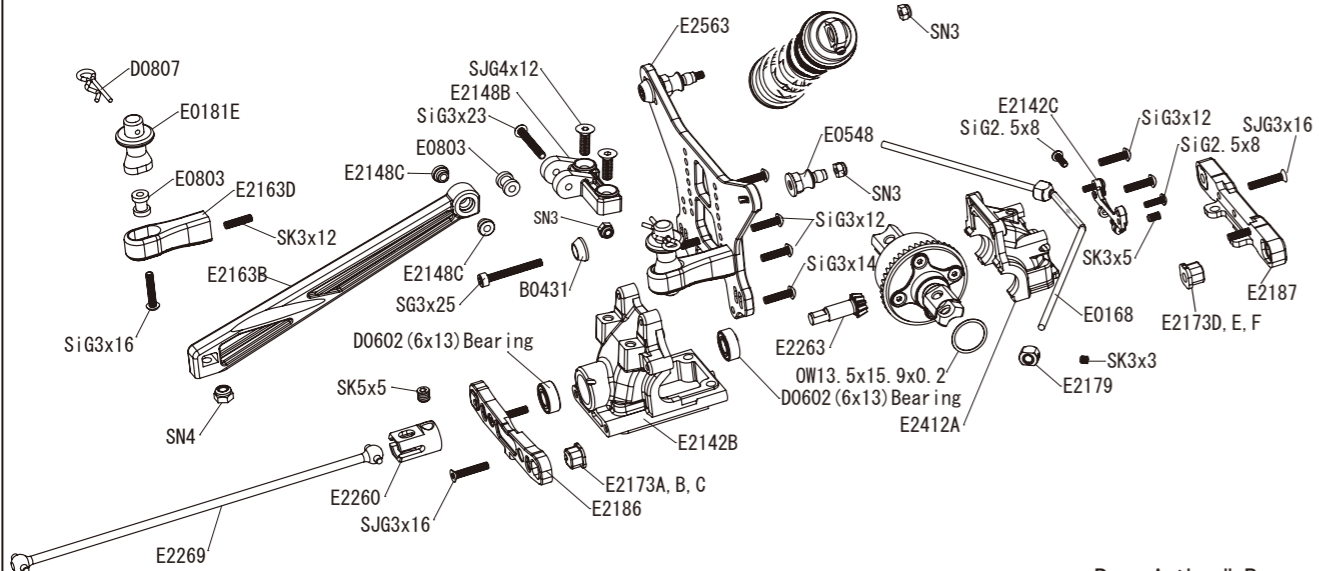


### Option Parts

E0239a	Wheel Hub
E0240a	Wide Offset Wheel Hub (1mm)
E0242	Al. F/R Axle Shaft
E2123	Kingpin Ball (Steel)
E2124	Adjust Nut (Steel)
E2139a	Front Track Wide Adj. Spacer (0.5mm)
E2147a	Front Uplight (1.5)

E2153a	Front Uplight Arm (CFRP)
E2166a	Front Lower Arm Plates CFRP (1.2mm)
E2188	LW Front Lower Arms
E2272	F/R Universal Joint
E2270a	Closed Wheel Nut
E2602	8x16x5 NMB Bearings (2pcs.)
E2602/1	8x16x5 NMB Bearings (10pcs.)

## Rear Gearbox



### Option Parts

E2231	Center Universal Joint R (156.5)
E2571	Rear Damper Stay (CFRP)
E2603	6x13x5 NMB Bearings (2pcs.)
E2603/1	6x13x5 NMB Bearings (10pcs.)

### Rear Anti-roll Bar

E2185	φ 2.4
E2138	φ 2.5
E0176	φ 2.6
●E0168	φ 2.7
E0169	φ 2.8
E0170	φ 2.9
E0171	φ 3.0
E0172	φ 3.2

## Rear Suspension

### Option Parts

E0239a	Wheel Hub
E0240a	Wide Offset Wheel Hub (1mm)
E2178	Rear Link Plates (0)
E2167a	Rear Lower Arm Plate (1.2mm) CFRP
E2189	LW Rear Lower Arms L/R
E2270a	Closed Wheel Nut
E2272	F/R Universal Joint
E2602	8x16x5 NMB Bearings (2pcs.)
E2602/1	8x16x5 NMB Bearings (10pcs.)

