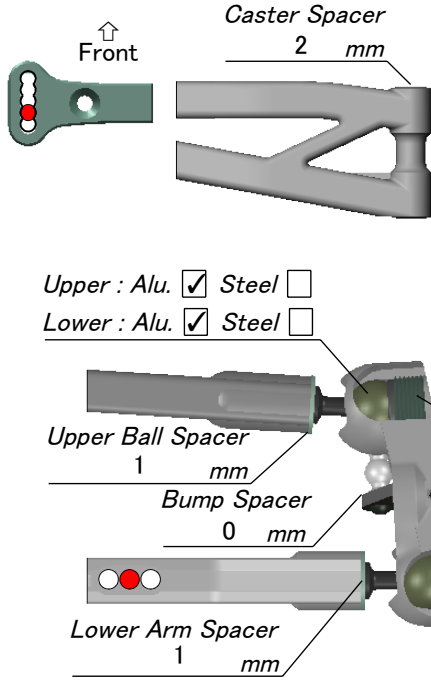
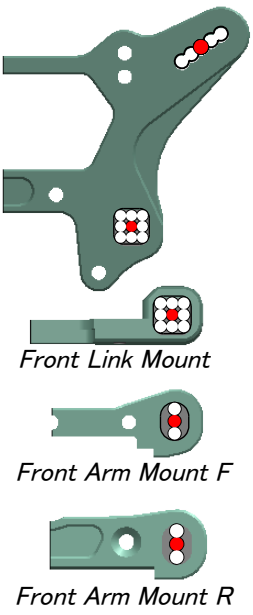


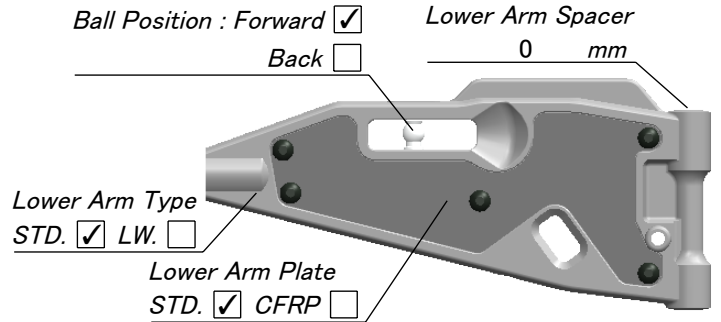
Driver : _____
 Date : _____
 Track : _____
 Event : _____

Track Condition
 Size : Open Med. Tight
 Traction : High Med. Low
 Condition : Smooth Bumpy Dry Wet
 Dusty Grooved Hard Packed

Front Suspension



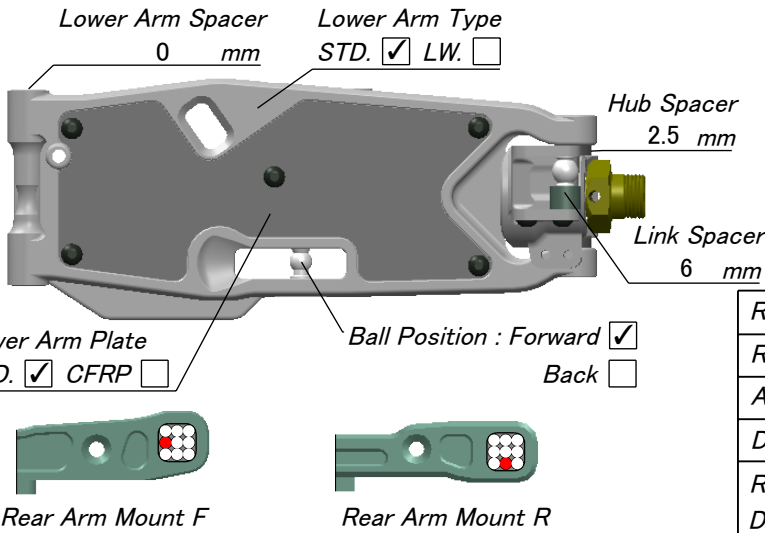
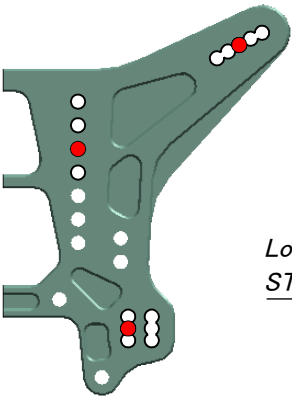
Upper : Alu. Steel
 Lower : Alu. Steel



Upper : Alu. Steel
 Lower : Alu. Steel
 Wheel Hex +2 (E0241)
 Upright Type 0 1.5


| | | |
|-------------------|--|--------------|
| Ride Height : | 36mm | Toe : Out 1° |
| Anti-roll Bar : | φ 2.2 (E0163) | |
| F Upright Arm : | 0 Dot <input type="checkbox"/> 1 Dot <input checked="" type="checkbox"/> | |
| Drive Shaft : | CVA <input checked="" type="checkbox"/> Universal <input type="checkbox"/> | |
| Chassis Brace : | Short <input checked="" type="checkbox"/> Long <input type="checkbox"/> | |
| Servo Saver Arm : | STD. <input checked="" type="checkbox"/> Alu. <input type="checkbox"/> | |
| Servo Horn : | STD. <input checked="" type="checkbox"/> Alu. <input type="checkbox"/> | |
| Length : | | |

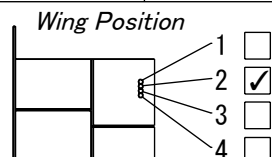
Rear Suspension



Wheel Hex +2 (E0241)

| | | |
|-------------------|--|--------------|
| Ride Height : | 38mm | Camber : -3° |
| Rear Hub : | Plastic <input checked="" type="checkbox"/> Alu. <input type="checkbox"/> | |
| Anti-Roll Bar : | φ 2.7 (E0168) | |
| Drive Shaft : | CVA <input checked="" type="checkbox"/> Universal <input type="checkbox"/> | |
| Rear Link Plate : | 1Dot <input type="checkbox"/> 3Dot <input checked="" type="checkbox"/> | |
| Dot Orientation : | In <input type="checkbox"/> Out <input checked="" type="checkbox"/> | |

| Shocks | Front | Rear | Differential Oil | Front | Center | Rear |
|----------|---|-------------------------------------|--|---|---|---|
| |  Length | φ 1.3 x 6 (E2569) | | φ 1.3 x 6 (E2569) | | 10K |
| Piston | #600 | #600 | Center Drive Shaft | Dog Born <input checked="" type="checkbox"/> Universal <input type="checkbox"/> | | Dog Born <input checked="" type="checkbox"/> Universal <input type="checkbox"/> |
| Oil | 75-7.5 (E0574) | 86-9.0 (E2581) | | Spur Gear 46 T | | Bell 13 T |
| Spring | <input type="checkbox"/> | <input type="checkbox"/> | Spring Position : Dot <input type="checkbox"/> Non Dot <input checked="" type="checkbox"/> | | 3Pin <input type="checkbox"/> 4Shoe <input checked="" type="checkbox"/> | |
| Bladder | <input checked="" type="checkbox"/> | <input checked="" type="checkbox"/> | Shoe : E2717 x 2pcs. / E2718 x 2pcs. | | | |
| Emulsion | 105 mm | 128.5 mm | Spring : φ 0.95 x 4pcs. | | | |
| Length | | | | | | |
| Notes : | | | | | | |

| Engine | Body & Wing | | Tire | Front | Rear |
|--|---|--|-----------------------------------|-------|------|
| Type | Body | | Type | | |
| Muffler | Wing | | Compound | | |
| Manifold | Front Wing | | Inserts | | |
| Fuel | Gap to Tower | | Wheel | | |
| Reducer | Wing Position | | Chassis Weight Front : g Rear : g | | |
| Grow Plug |  | | Notes : | | |
| Engine Mount : | | | | | |
| STD. <input checked="" type="checkbox"/> 1pc. <input type="checkbox"/> | | | | | |