



MTC3

1/10 ELECTRIC TOURING CAR

MUGEN
■ ■ ■ **SEIKI**

ITEMS REQUIRED FOR OPERATION

- 2CH RADIO SET FOR RC CAR (TRANSMITTER, RECEIVER, SERVO)
- MOTOR
- PINION GEAR
- SPUR GEAR
- ESC (ELECTRONIC SPEED CONTROLLER)
- BATTERIES FOR RC CAR
- CHARGER
- BODYSHELL (190mm)
- TIRES/WHEELS/INSERTS
- SERVO HORN

TOOLS REQUIRED

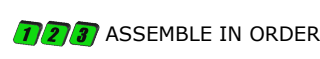
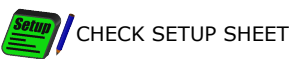
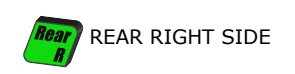
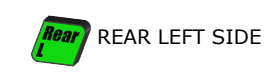
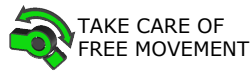
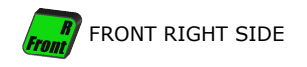
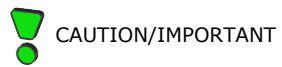
- HEXAGON WRENCHES (1,5mm/2mm/2,5mm)
- BOX WRENCH (7mm)
- NEEDLE NOSE PLIERS
- WIRE CUTTERS
- SHARP HOBBY KNIFE
- SCISSORS
- VERNIER CALIPERS
- SOLDER/SOLDERING IRON
- INSTANT GLUE
- TURNBUCKLE WRENCH

NEUTRAL SETTING OF TRANSMITTER

***BEFORE SETTING, READ THE INSTRUCTIONS ATTACHED TO THE TRANSMITTER AND ESC**

1. TURN ON THE TRANSMITTER
2. SET TRIMS OF TRANSMITTER
3. SET THROTTLE SIDE OF TRANSMITTER ACCORDING TO THE INSTRUCTION MANUAL ESC
4. TURN ON THE ESC ACCORDING TO THE INSTRUCTION MANUAL AND SET THE DEFAULT
5. CHECK THAT THE SERVO MOVES PROPERLY IN ACCORDANCE WITH THE CONTROL FROM TRANSMITTER
6. TURN OFF THE ESC
7. TURN OFF THE TRANSMITTER

SYMBOLS EXPLAINED



SCREW CHART

THESE ARE THE ACTUAL SIZES OF THE SCREWS & OTHER HARDWARE INCLUDED WITH THIS KIT

| | | | | | | | |
|---------|---------|---------|---------|---------|---------|--------|-----------|
| SiG2x3 | SiG2x14 | SiG3x8 | SJG2x6 | SJG3x6 | SG3x12 | SK3x5 | CTW-28 |
| SiG2x4 | SiG3x4 | SiG3x10 | SJG2x8 | SJG3x8 | SG3x16 | SK3x6 | OE1.2 |
| SiG2x6 | SiG3x5 | SiG3x12 | SJG2x10 | SJG3x10 | SK3x2.6 | SK3x8 | OW3x5x0.2 |
| SiG2x12 | SiG3x6 | SJG2x4 | SJG3x5 | SJG3x12 | SK3x3 | SK3x12 | |

SK3x8 4pcs.

Bag
A1

Bag
A2

A2545
(X-Ring)
B0316Z
(Silicone oil)

6x

A2174C

A2819

Pay attention of direction

Direction to snap into place

Tip

Use B0561 to assemble A2819 with A2174C

6x

A2174C

A2819

Pay attention of direction

Direction to snap into place

4x

A2174D

A2155

T2804S-B

B2132

Snap-in!

Snap-in!

19.4mm

Shock X-Ring A2545 (Kit bag A2)

Soak the silicone X-rings with shock oil for 2~3 hours to ensure an optimal fit.
Continue to assemble the shocks on page 24

4x

SK3x8

A2558

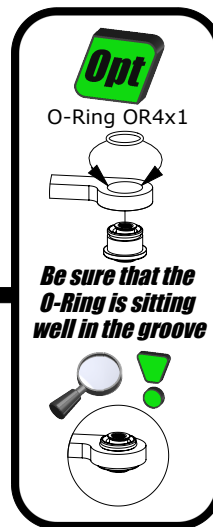
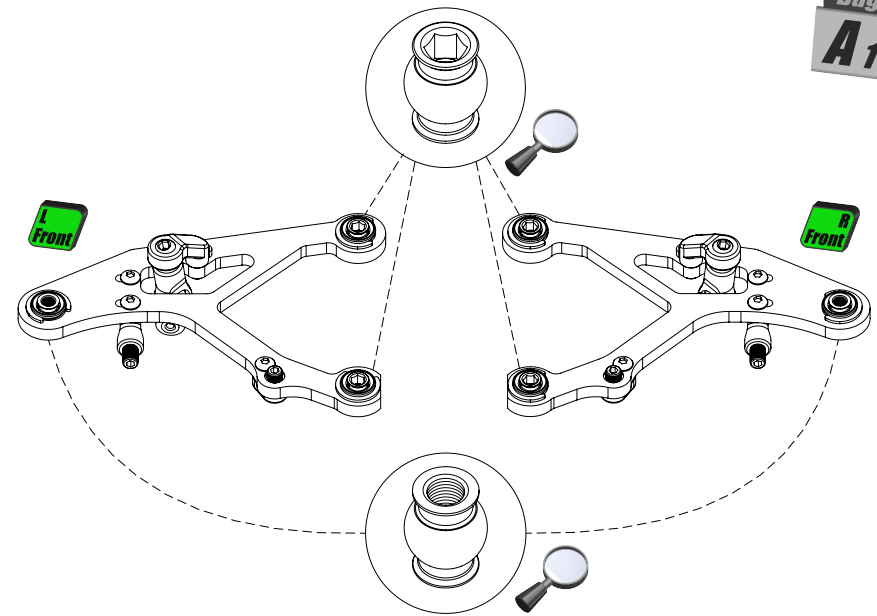
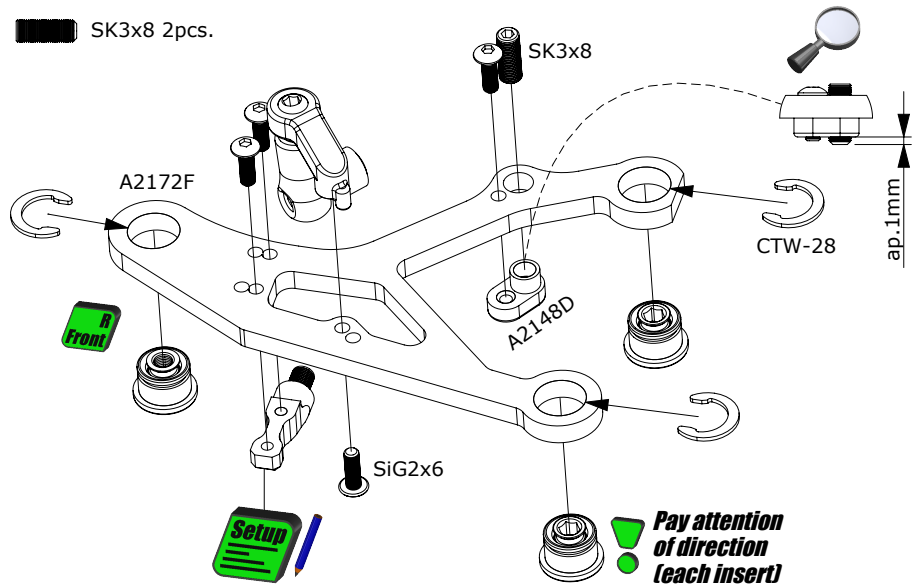
Use a drop of CA glue to hold the screw in place!

Tip

4mm

SiG2x6 8pcs. CTW-28 6pcs.

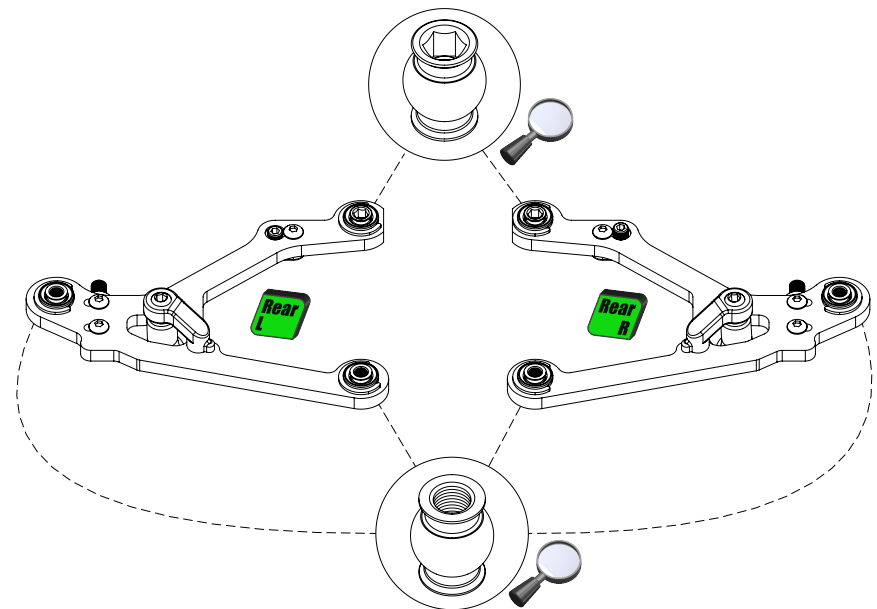
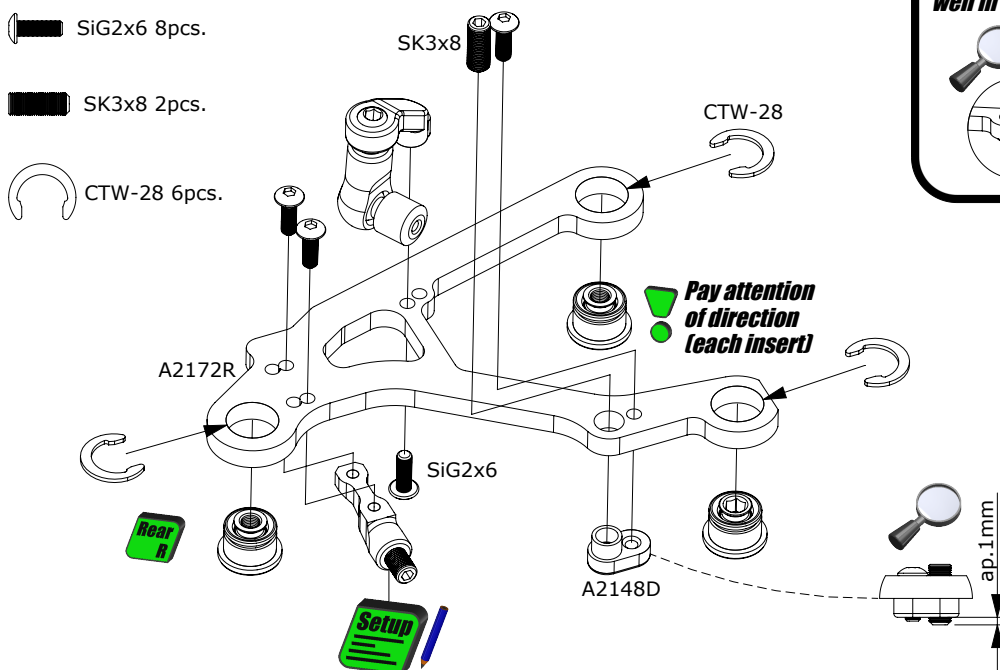
SK3x8 2pcs.



SiG2x6 8pcs.

SK3x8 2pcs.

CTW-28 6pcs.



SK3x2,6 2pcs.

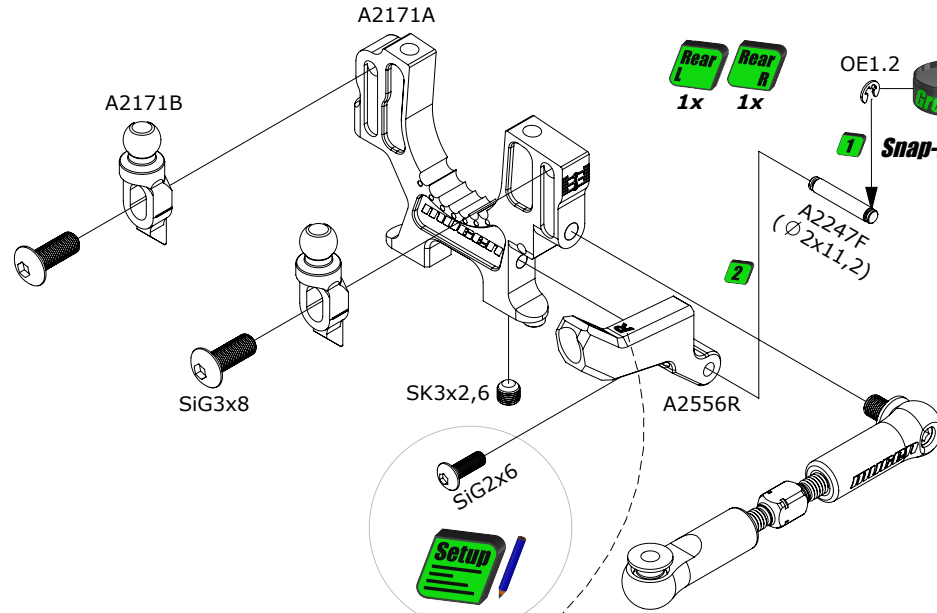
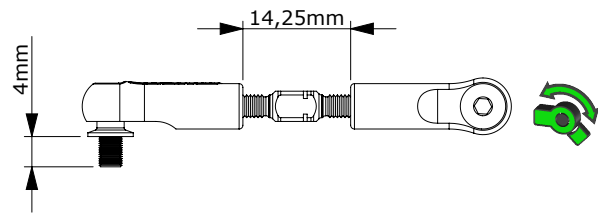
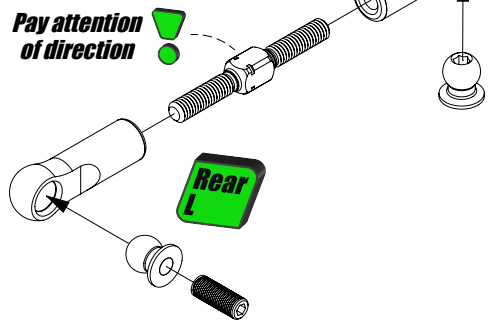
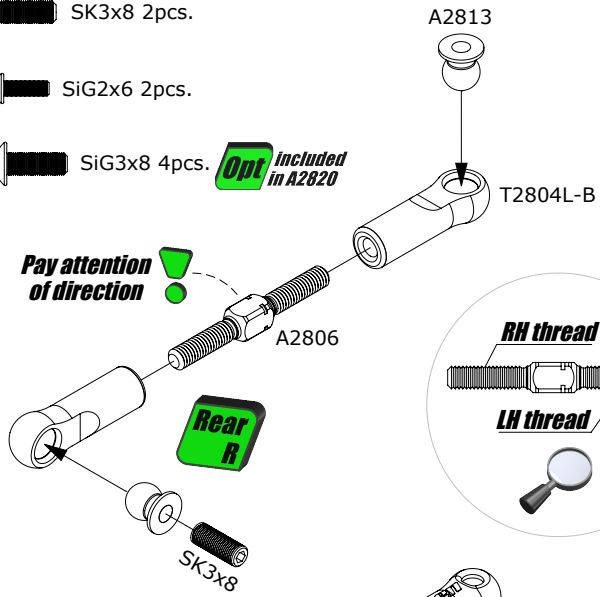
OE1.2 2pcs.

SK3x8 2pcs.

SiG2x6 2pcs.

SiG3x8 4pcs. **Opt** included in A2620

Bag
A1



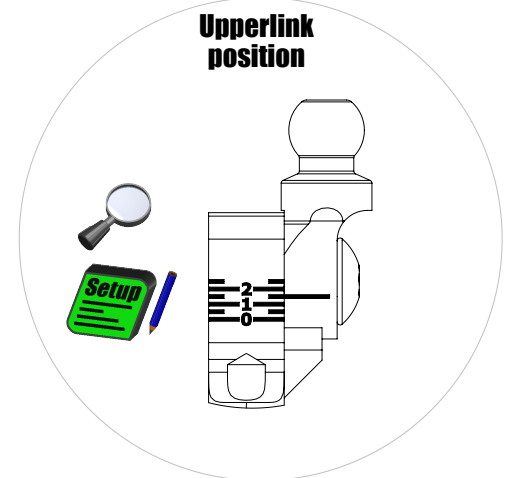
Laser engraving R

Rear L 1x
Rear R 1x

Grease

1 Snap-in

Use a bit of grease to avoid loosing the clip (OE1.2)



SK3x2,6 2pcs.

SJG3x5 4pcs.

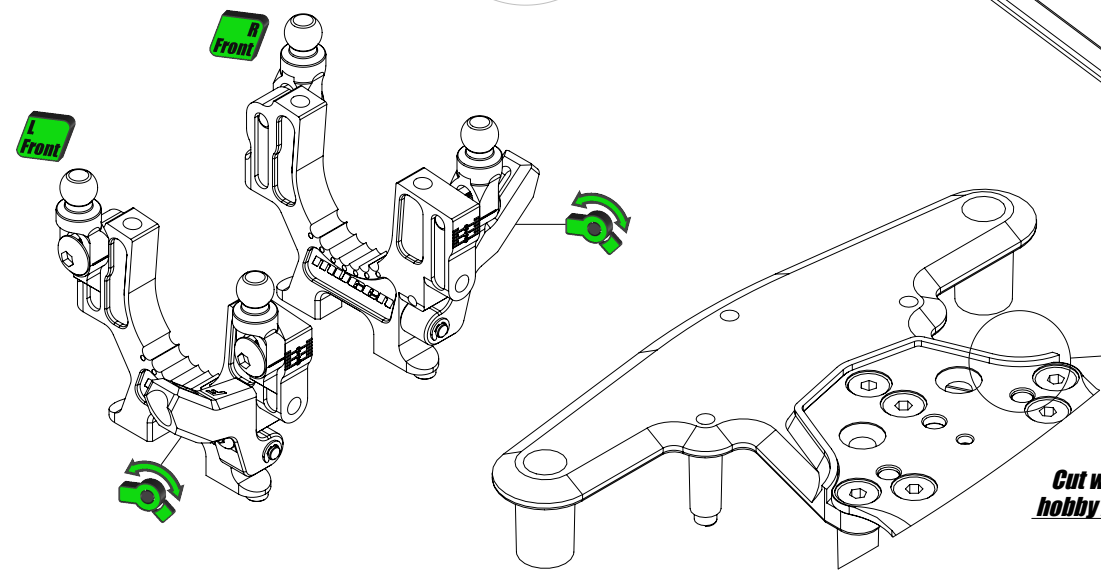
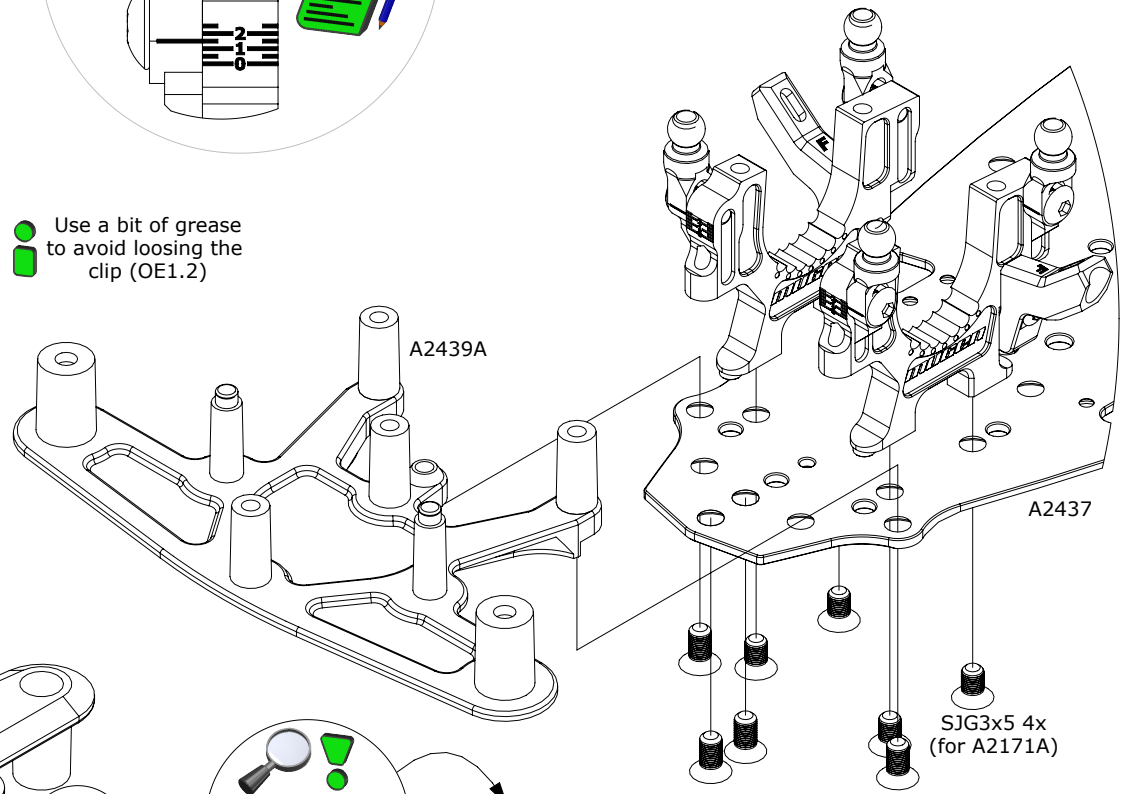
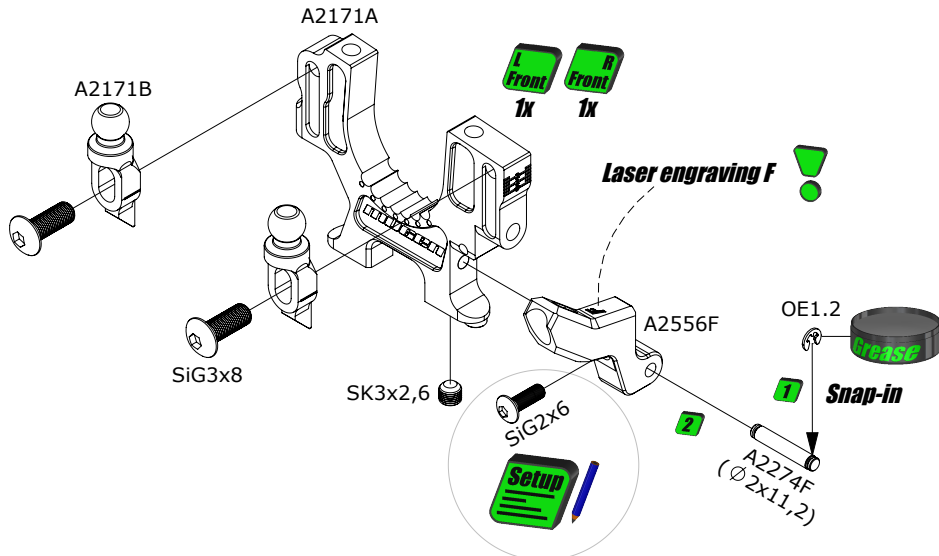
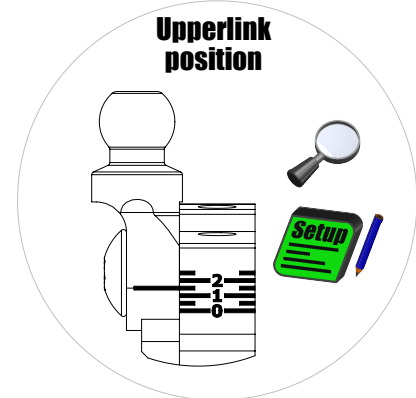
SiG2x6 2pcs.


SJG3x6 4pcs.


SiG3x8 4pcs. **Opt included in A2820**


OE1.2 2pcs.


Bag
A1
Bag
Chassis



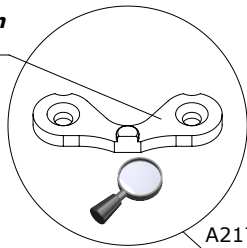
 SJG3x5 4pcs.

 SJG3x6 6pcs.

 SJG3x8 1pc. **Opt** included in A2820

 SiG3x8 2pcs. **Opt** included in A2820

Pay attention of direction



A2173R

A2442

SJG3x8

Pay attention of direction



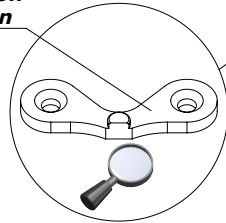
A2439G

SiG3x8

SJG3x5

A2173F

Pay attention of direction



SJG3x6

 (Bumper & left bulkhead hidden for a better view)

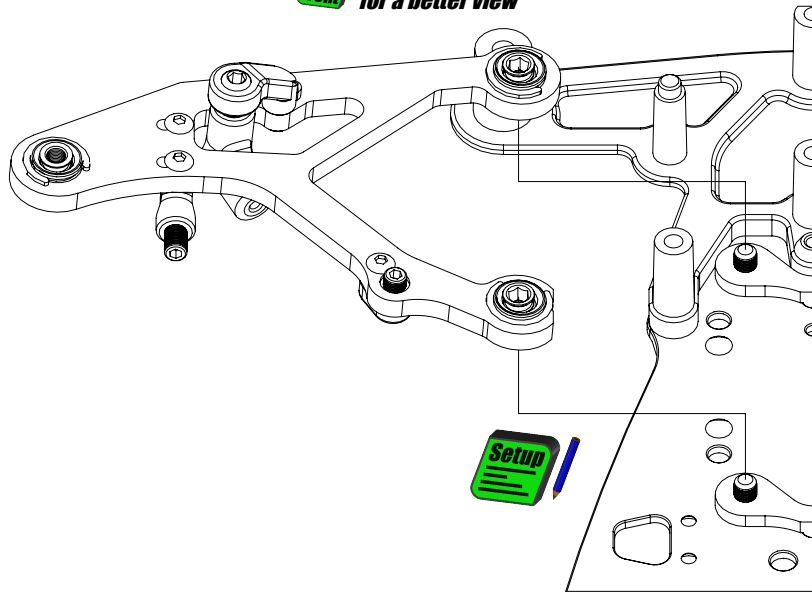
SJG3x6

SJG3x10 2pcs. **Opt** included in A2820

A2811(0,5mm) 4pcs.

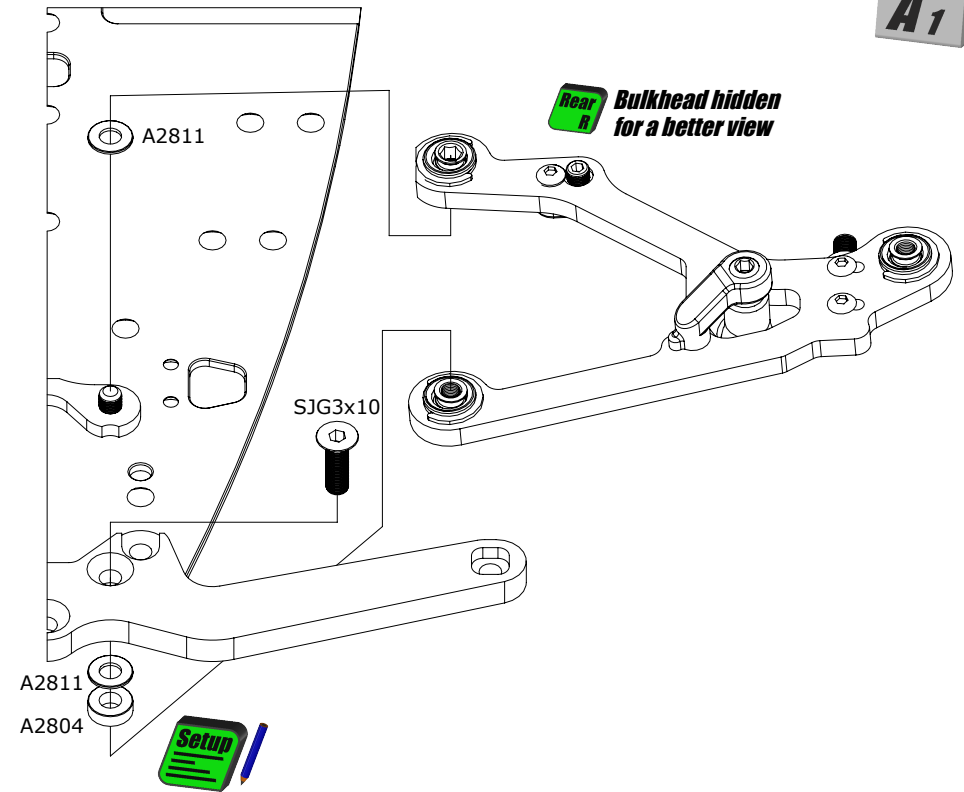
A2804(2mm) 2pcs.

Front Bulkhead hidden for a better view

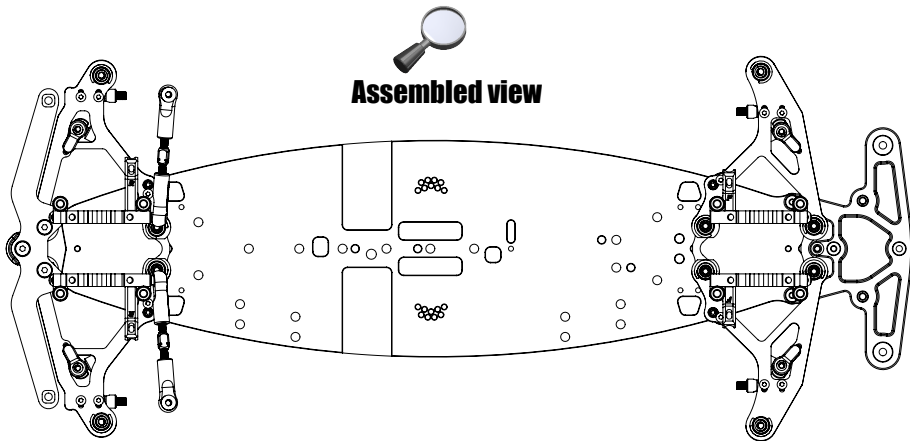


Bag
A1

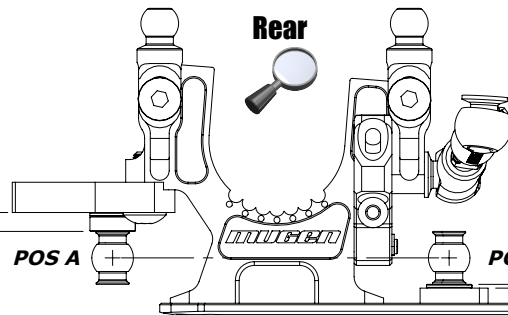
Rear Bulkhead hidden for a better view



Assembled view



EXP. POS. A = 1,5mm
POS. A = 2,5mm



POS. B = 0,5mm
EXP. POS. B = 1,5mm

Lower arm mounted straight with the values shown above

EXP. Raise lower arm height by 1mm

■ SK3x3 4pcs.

■ SJG2x4 2pcs.

○ A2601 4pcs.
(3x6x2.5 bearing)

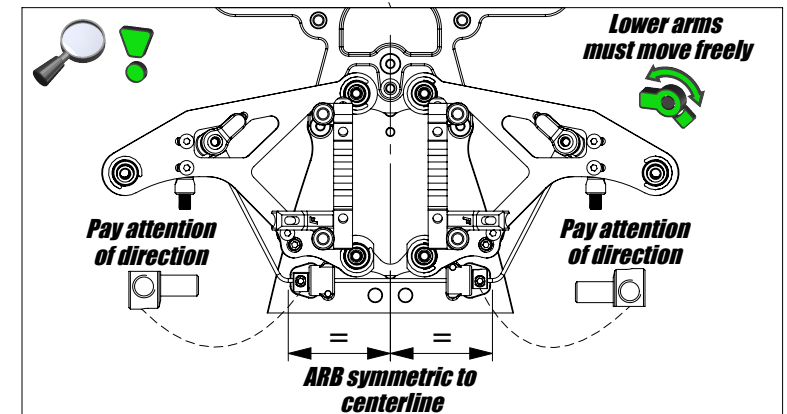
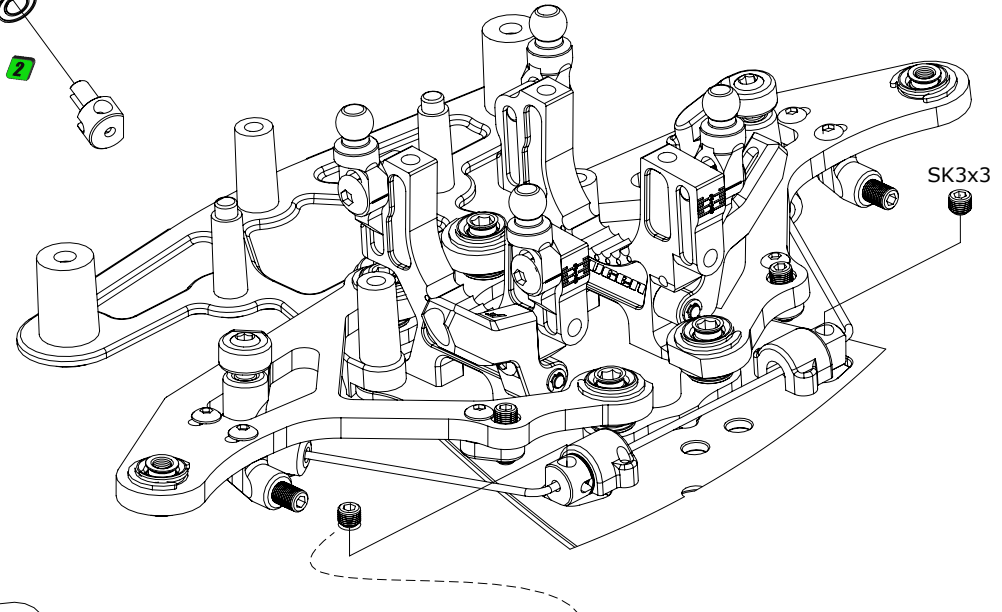
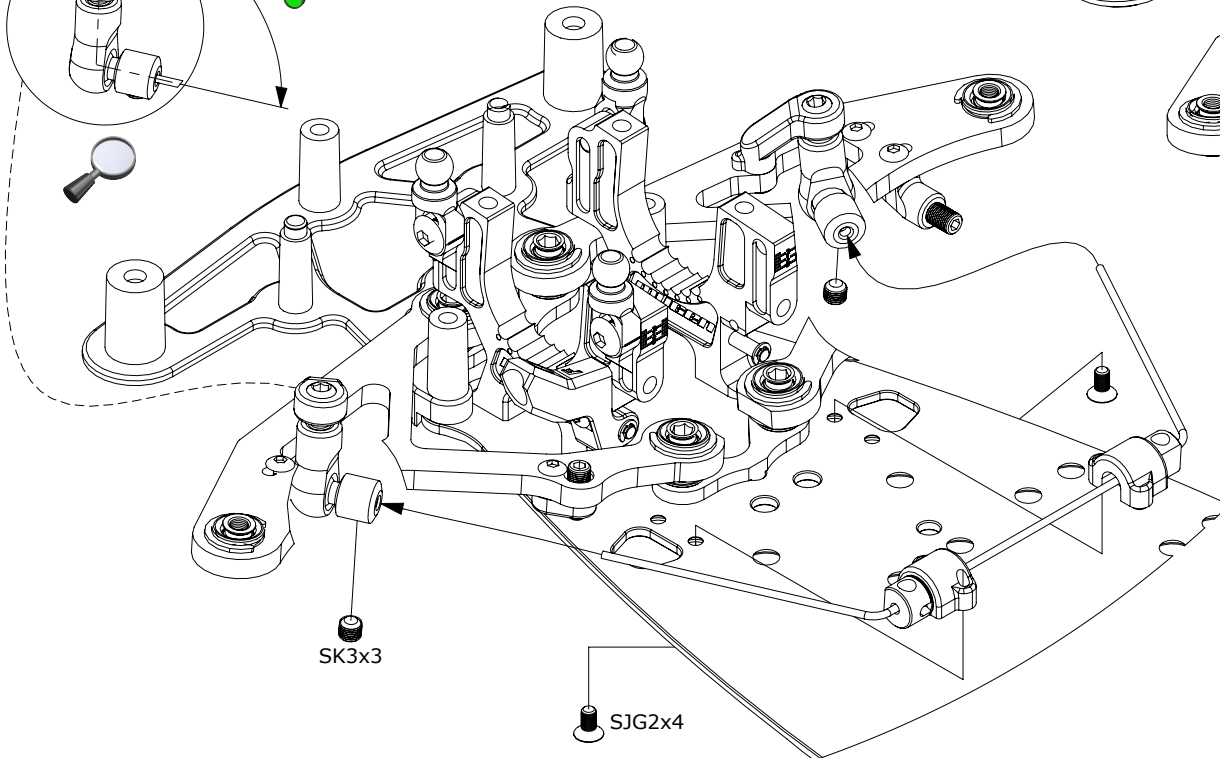
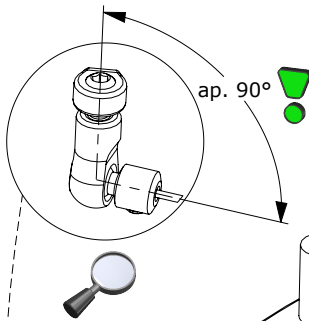
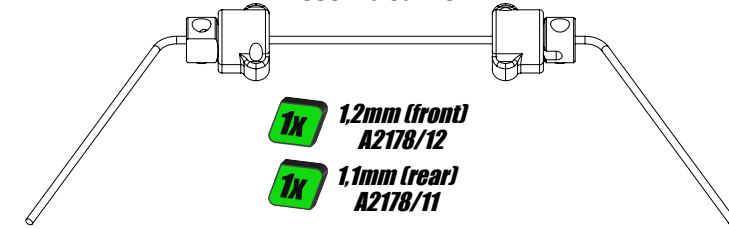
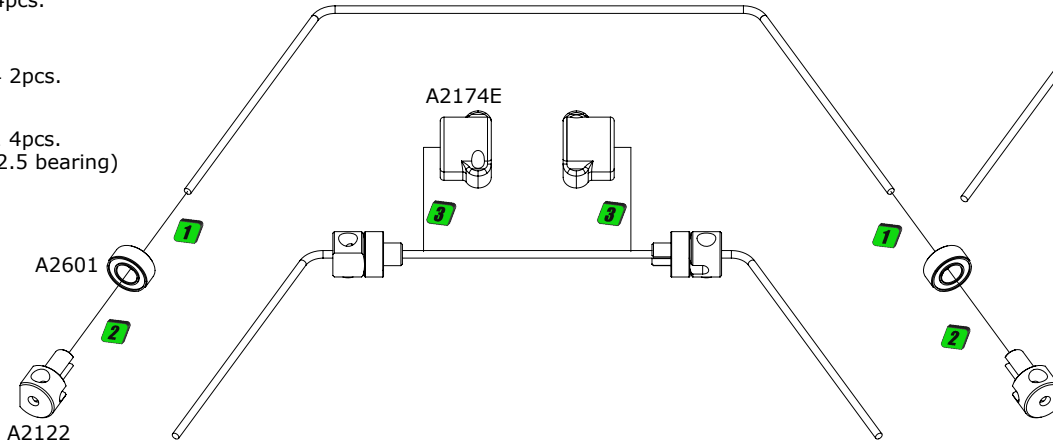
Assembled view



A2178/11
A2178/12
(ARB wire)

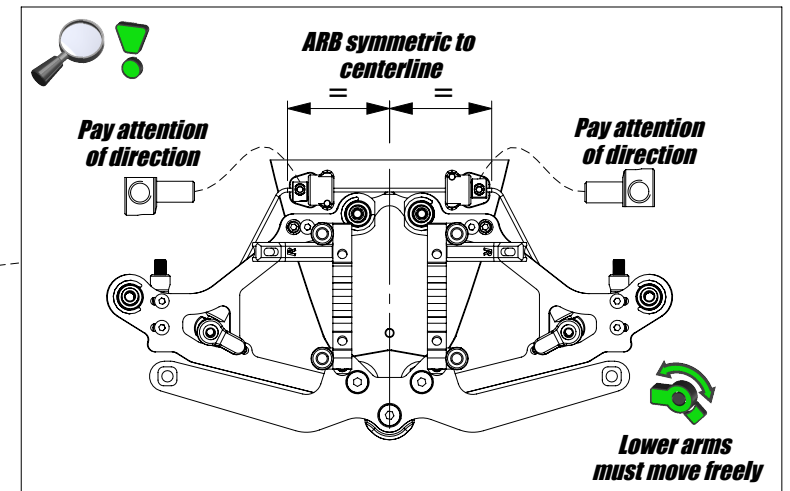
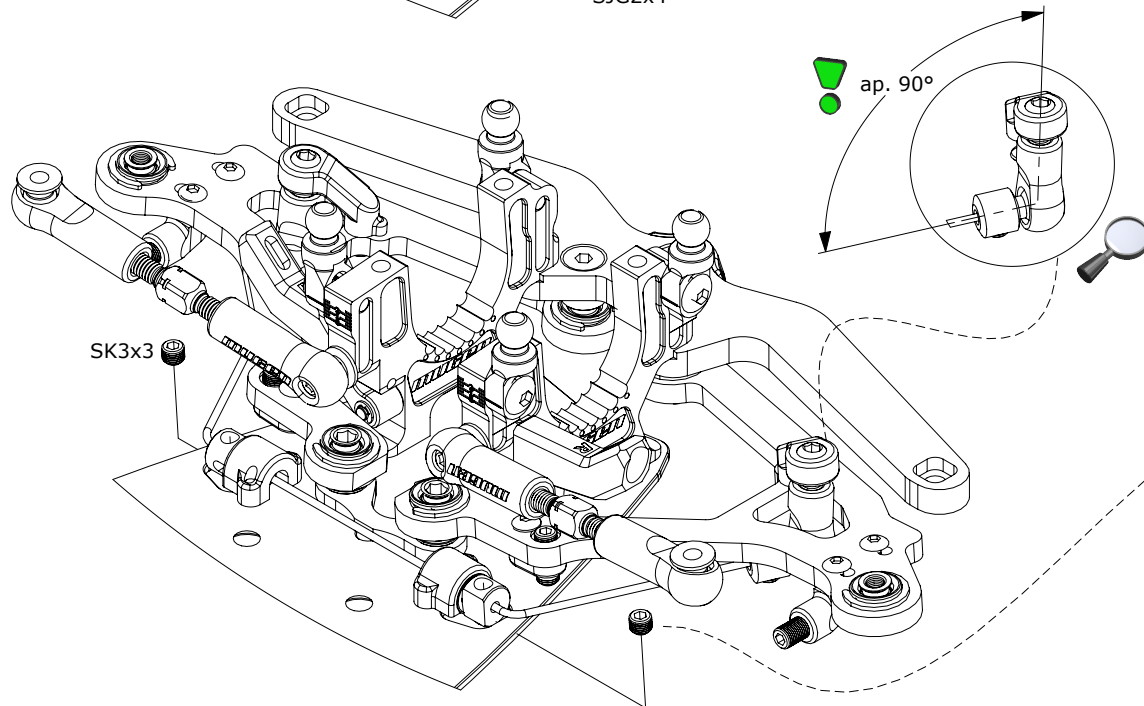
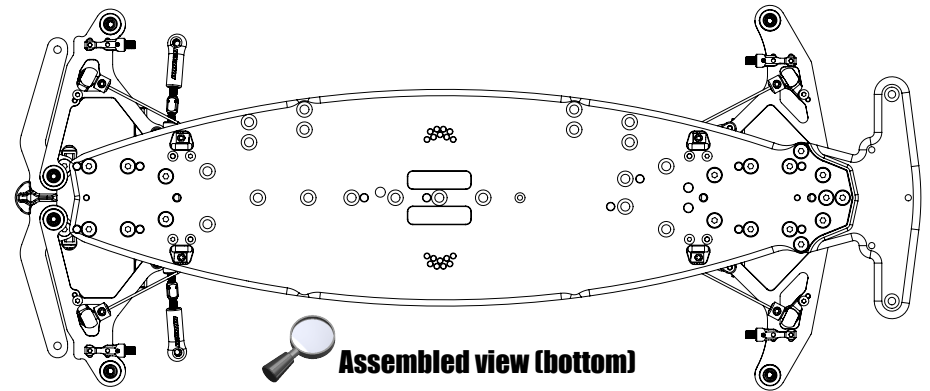
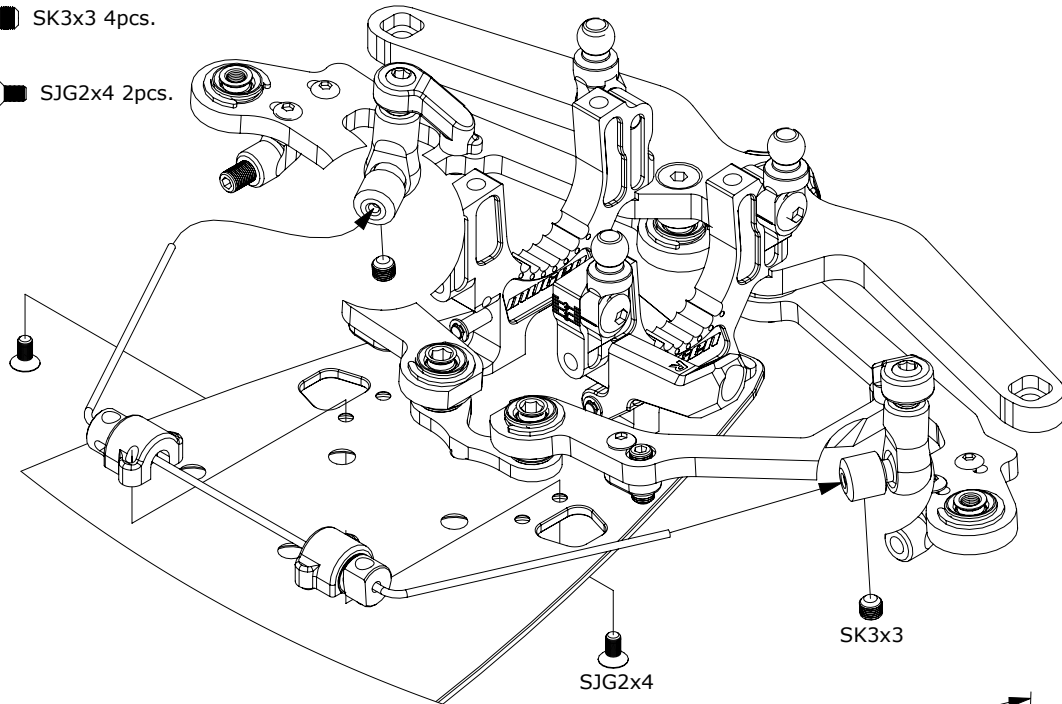
1x 1,2mm (front)
A2178/12

1x 1,1mm (rear)
A2178/11

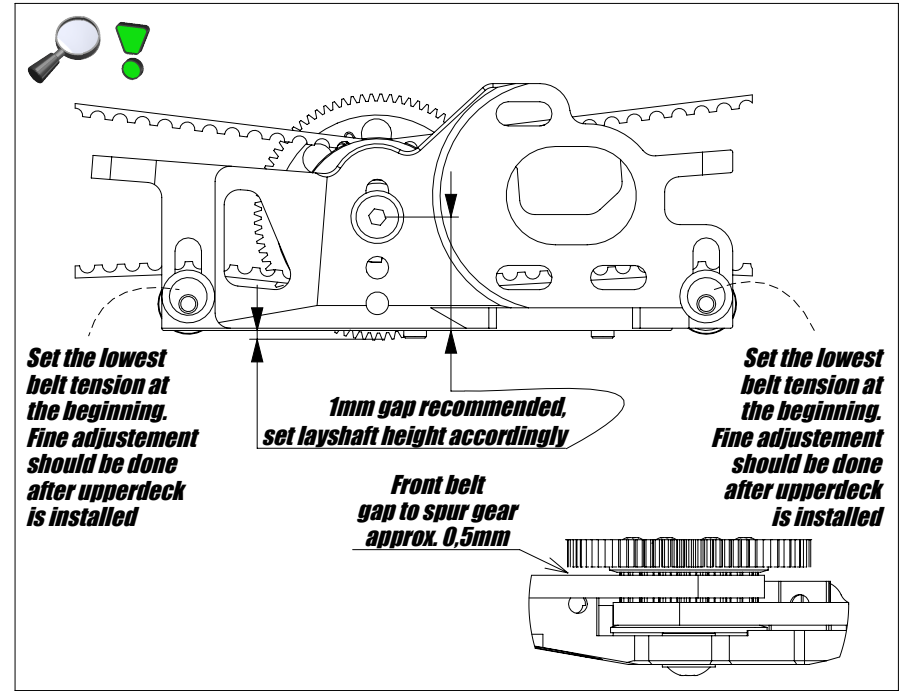
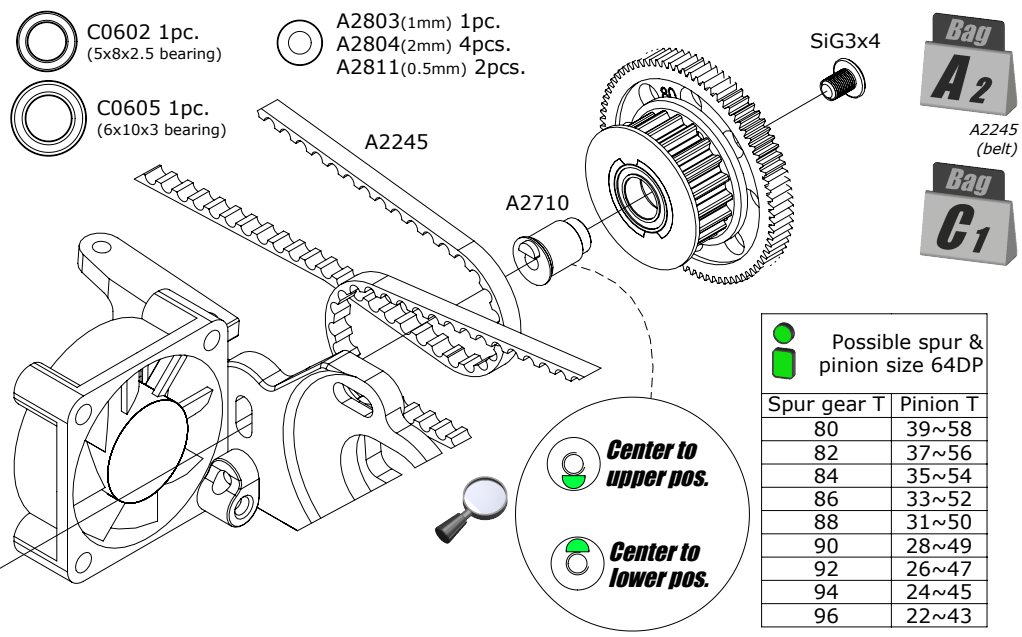
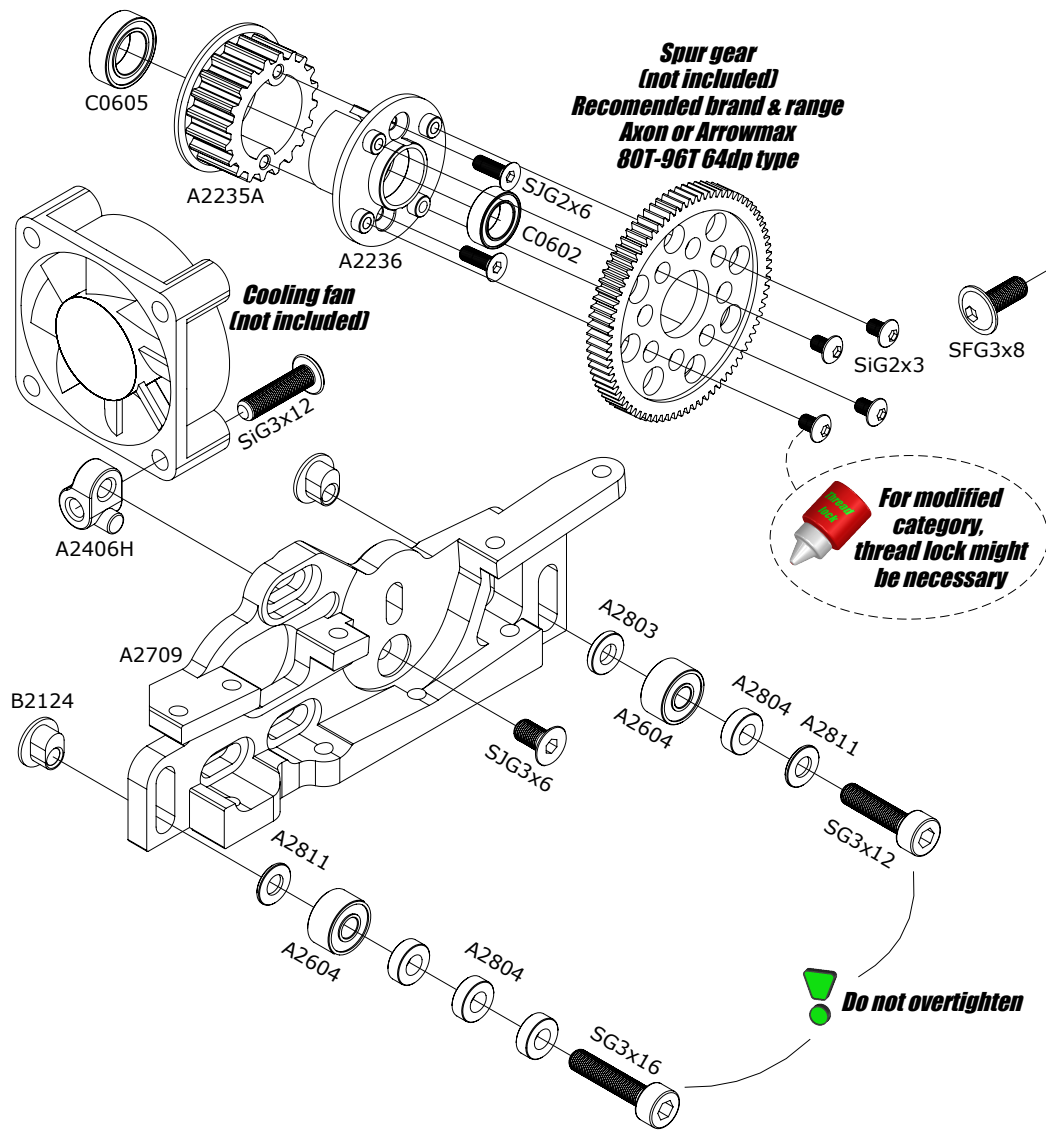


SK3x3 4pcs.

SJG2x4 2pcs.



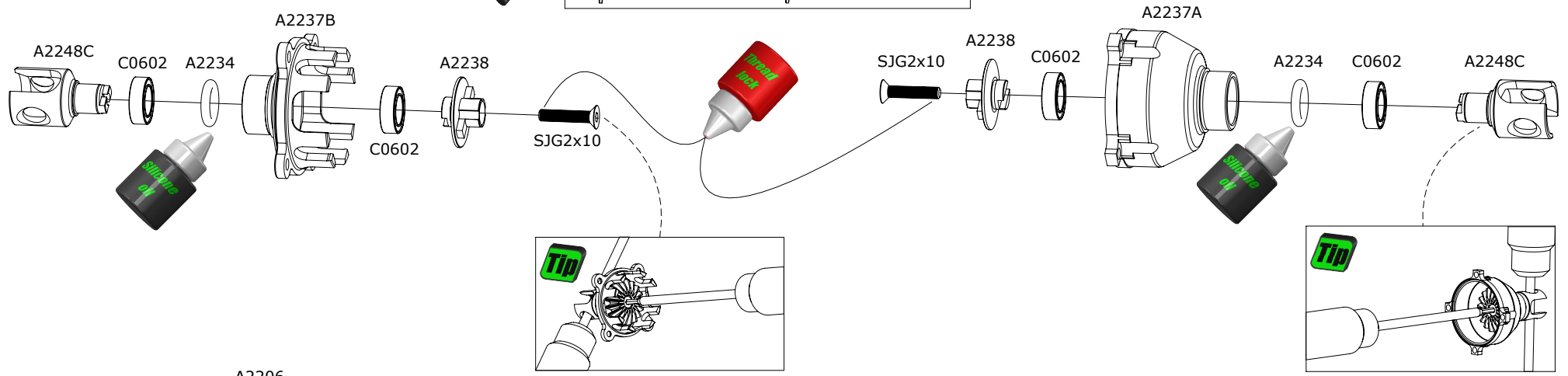
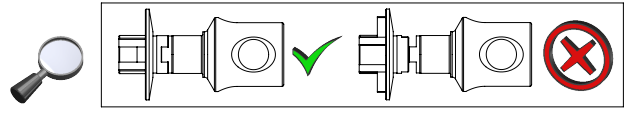
- SiG2x3 4pcs.
- SFG3x8 1pc.
- SG3x12 1pc.
- C0602 1pc. (5x8x2.5 bearing)
- A2803(1mm) 1pc.
- A2804(2mm) 4pcs.
- A2811(0.5mm) 2pcs.
- SiG3x4
- Bag A2
- A2245 (belt)
- SJG2x6 2pcs.
- SiG3x12 1pc. **Opt included in A2820**
- SG3x16 1pc.
- C0605 1pc. (6x10x3 bearing)
- A2245
- A2710
- Bag C1
- SiG3x4 1pc. **Opt included in A2820**
- SJG3x6 1pc. **Opt included in A2820**
- A2604 2pcs. (3x8x4 bearing)



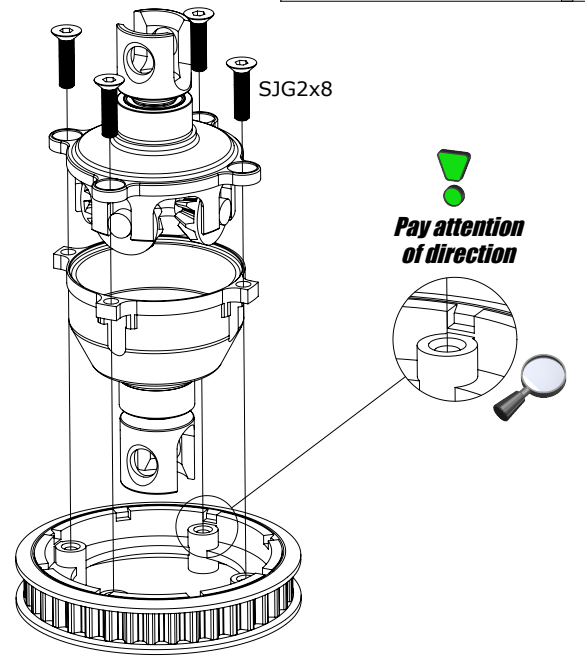
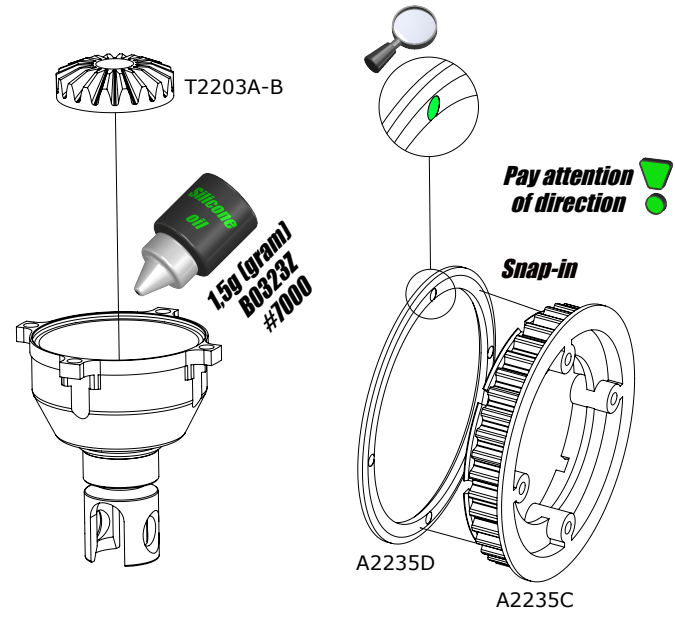
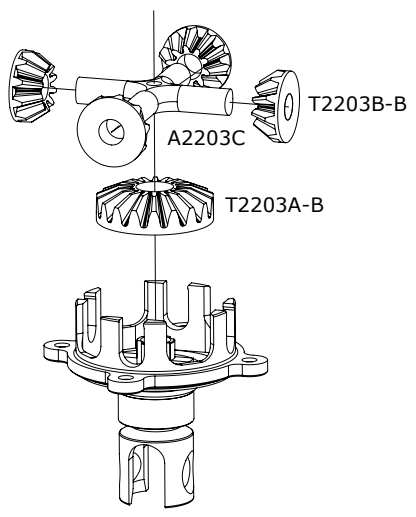
- SJG2x8 4pcs.
- C0602 (5x8x2.5 bearing) 4pcs.
- SJG2x10 2pcs.
- A2234 2pcs. (S5 O-Ring red 50°)

Bag
D1

Be sure everything fits together smoothly



A2206
(1x Ø21 O-Ring)



The spare part differential set A2249a contains OW3.5x7.5x0.2 washers. Please do not use these!!!

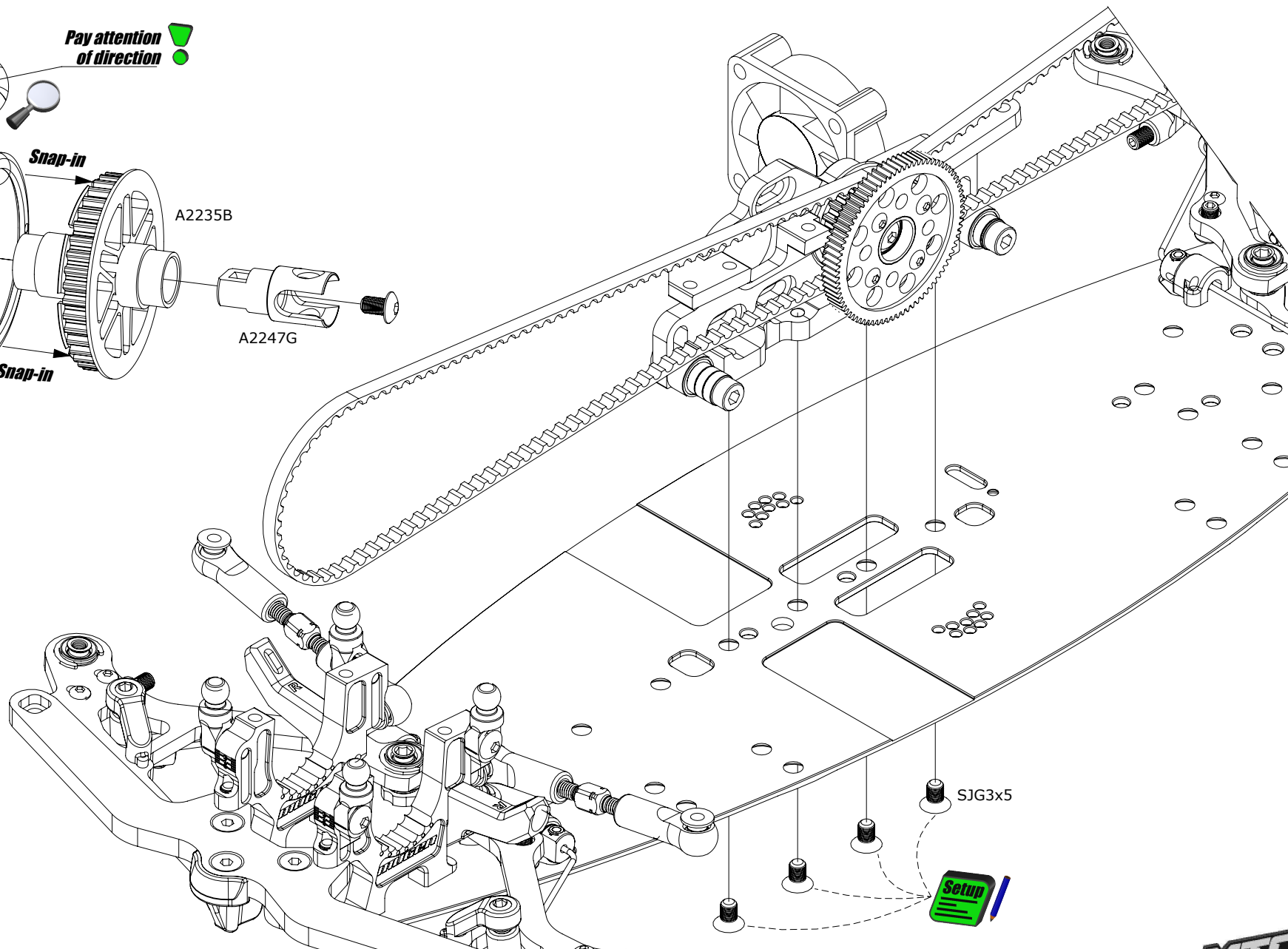
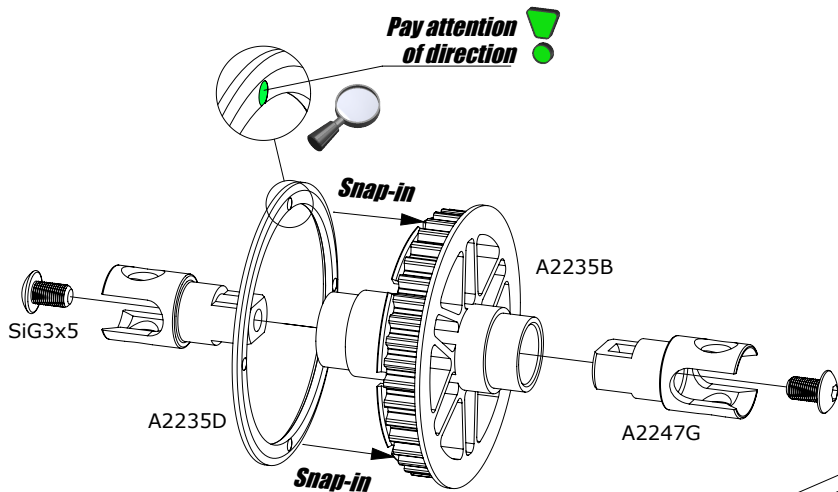


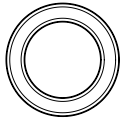
SiG3x5 2pcs. **Opt** included in A2820

SJG3x5 4pcs.

Bag
D1

Pay attention
of direction





T2601 (10x15x4 bearing) 4pcs.

Bag
D1

Pay attention
of direction

A2203B

Pay attention
of direction

T2601

Assembled view

SK3x5 2pcs.

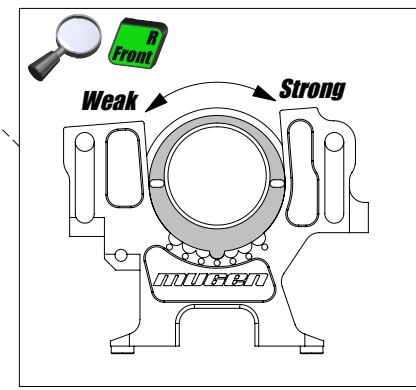
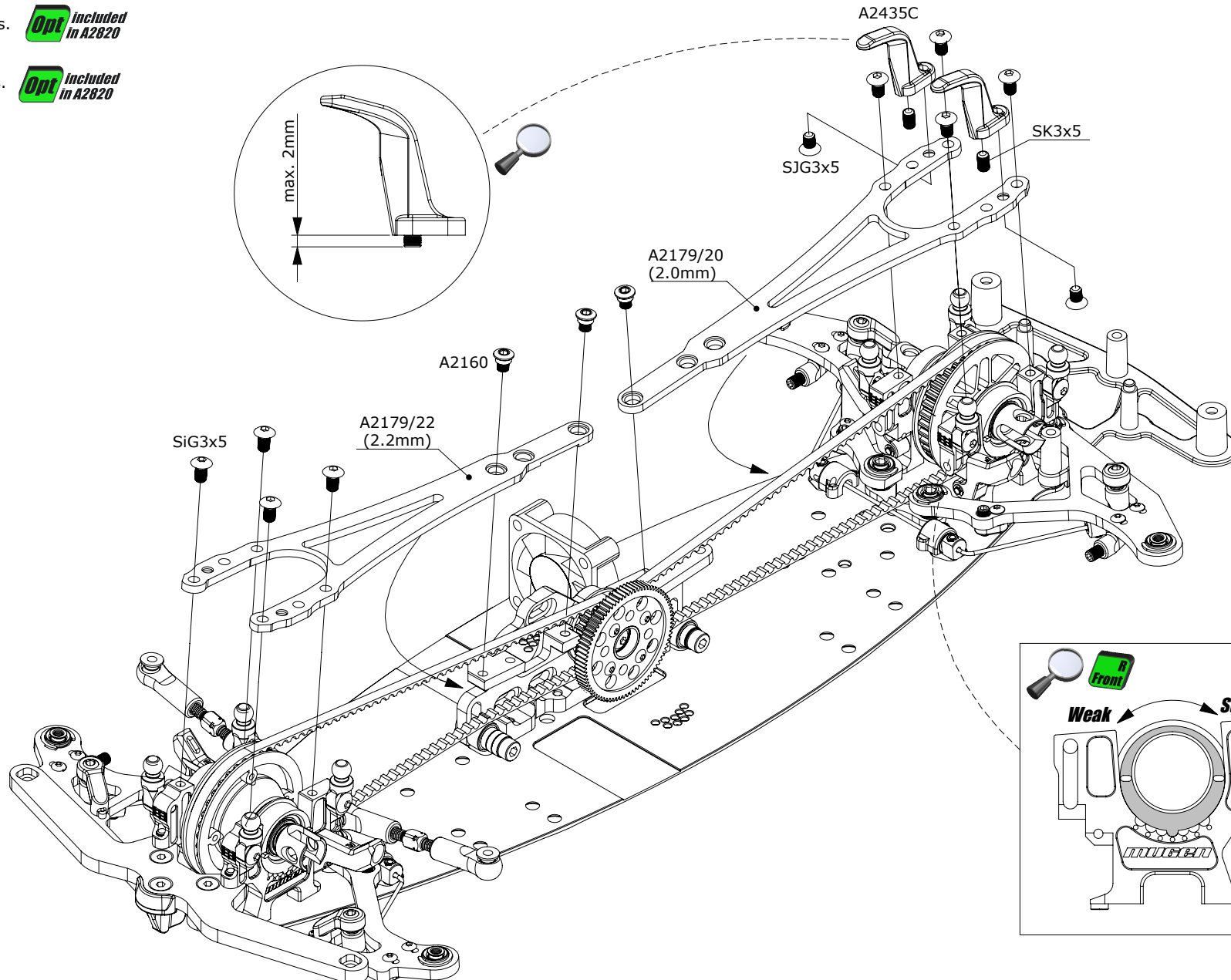
SiG3x5 8pcs. **Opt** Included in A2820

SJG3x5 2pcs. **Opt** Included in A2820

A2160 3pcs.

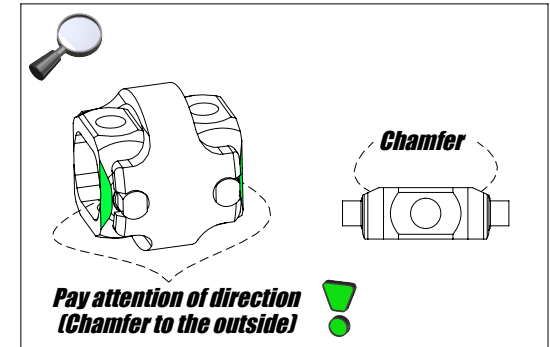
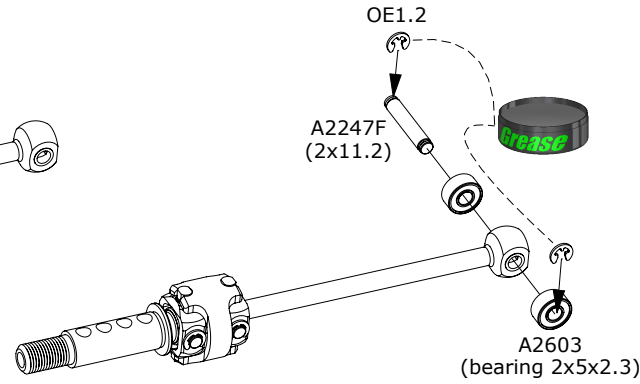
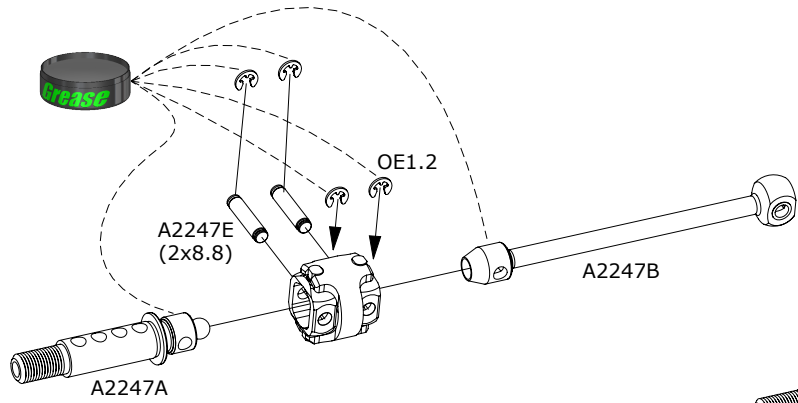
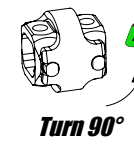
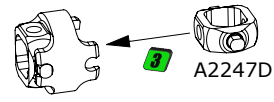
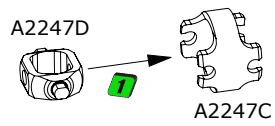
Bag B₁ Bag D₁

A2179/22
A2179/20
(upperdeck)



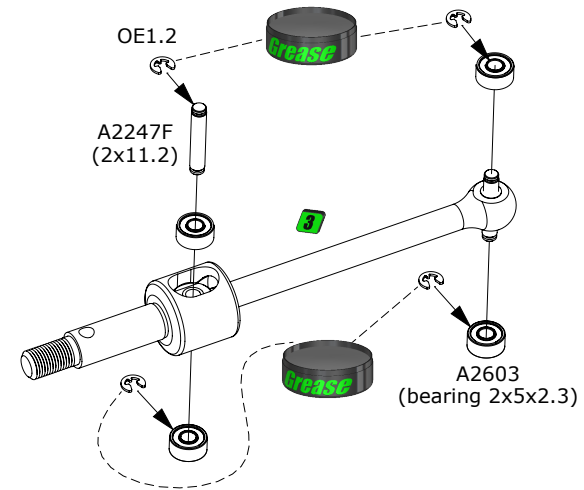
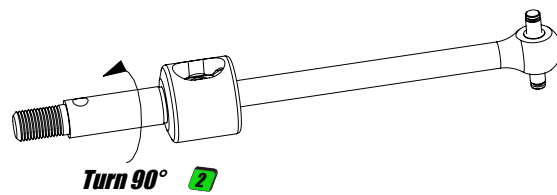
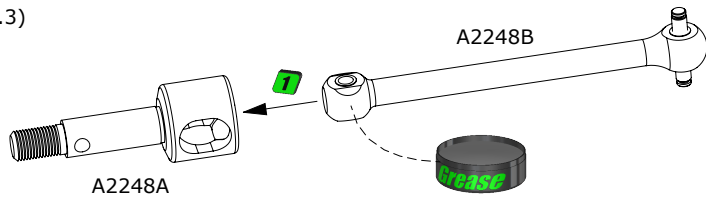
OE1.2 12x

A2603 4x
(bearing 2x5x2.3)



OE1.2 8x

A2603 8x
(bearing 2x5x2.3)



SiG3x4 4pcs. **Opt** included in A2820

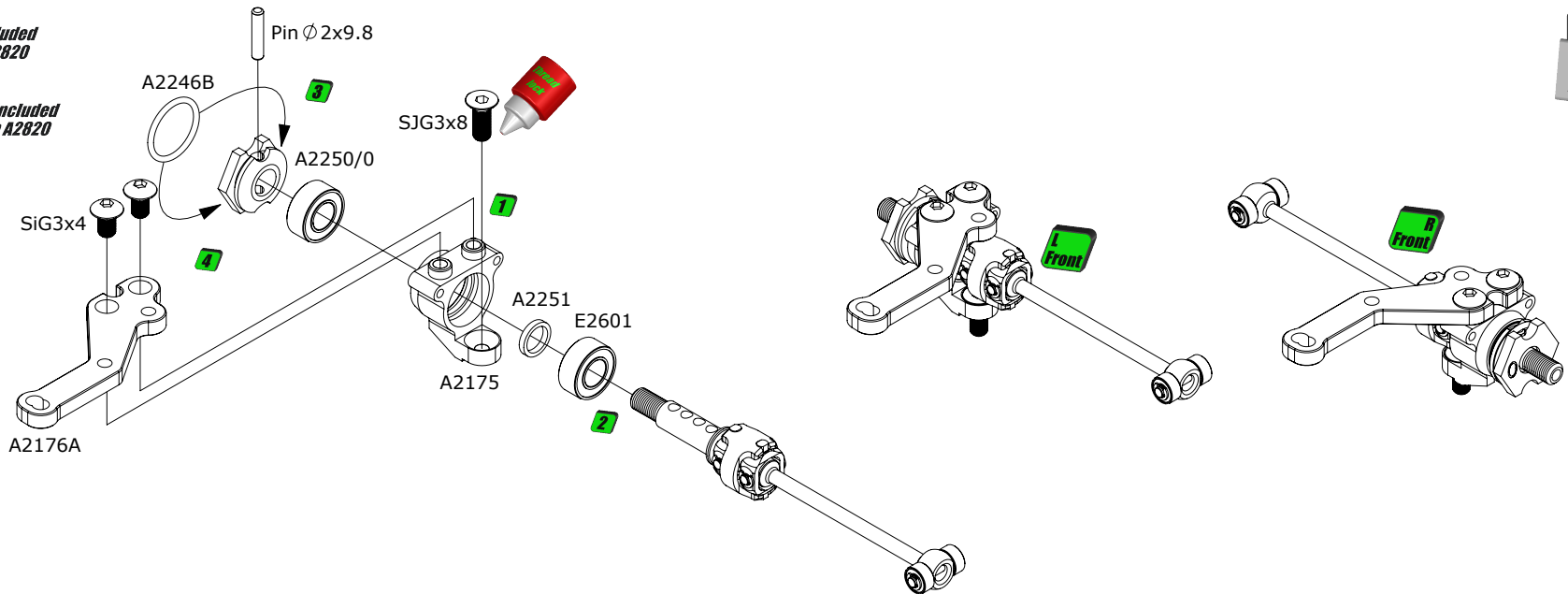
SJG3x8 2pcs. **Opt** included in A2820

Pin \varnothing 2x9.8 2pcs.

E2601 4pcs.
(bearing 5x10x4)

A2246B 2pcs.
(O-Ring \varnothing 9x1)

A2251 2pcs.
(1.1mm spacer)



Front

SiG3x4 4pcs. **Opt** included in A2820

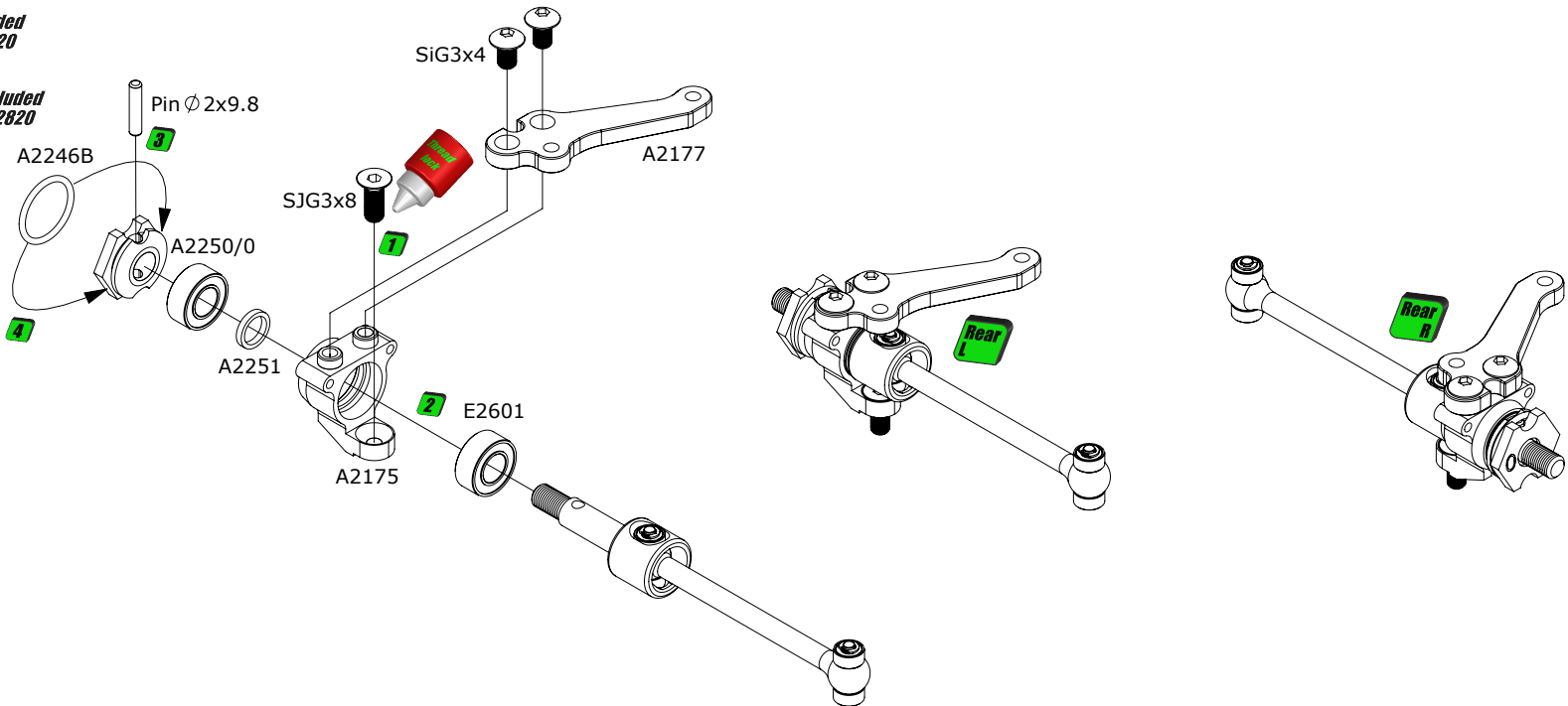
SJG3x8 2pcs. **Opt** included in A2820

Pin \varnothing 2x9.8 2pcs.


E2601 4pcs.
(bearing 5x10x4)


A2246B 2pcs.
(O-Ring \varnothing 9x1)


A2251 2pcs.
(1.1mm spacer)




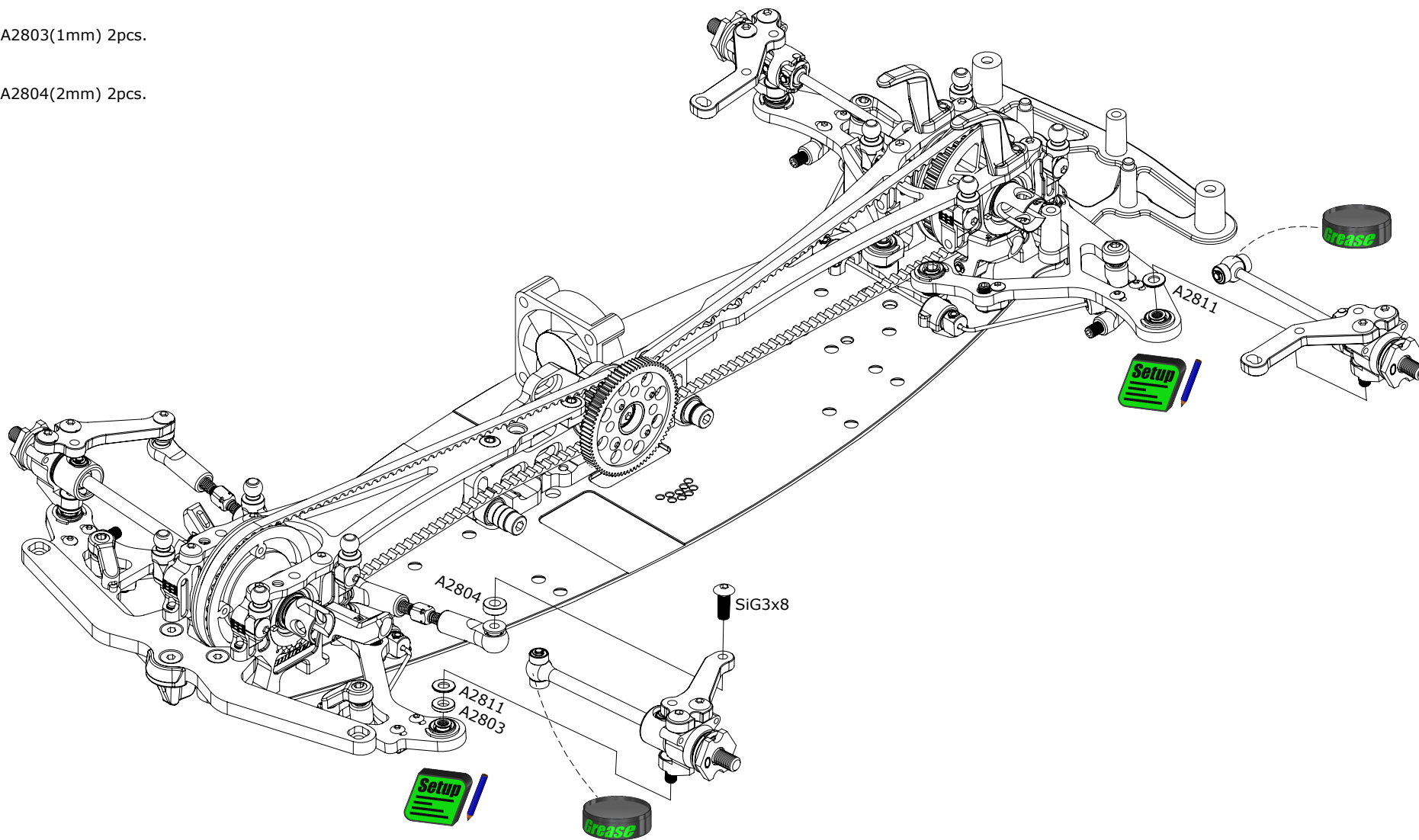
Rear

SiG3x8 2pcs.  Included in A2820

 A2811(0,5mm) 4pcs.

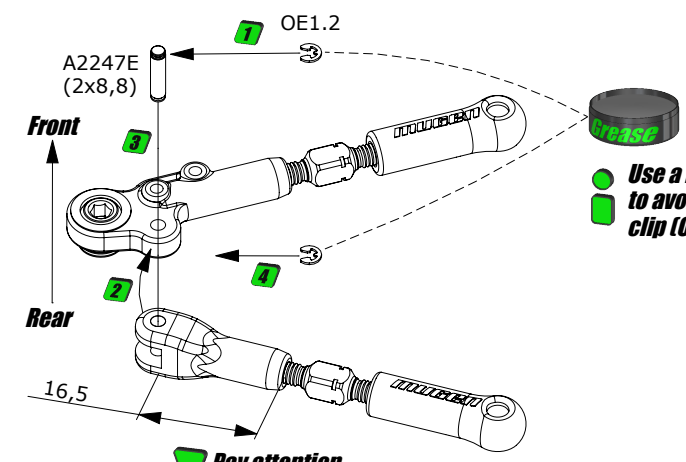
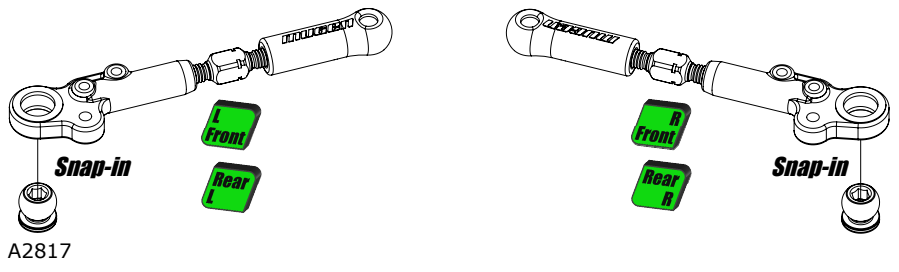
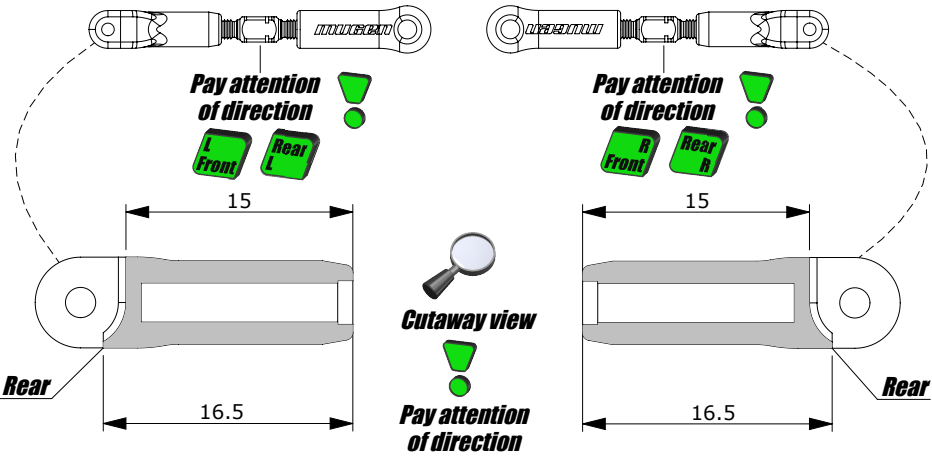
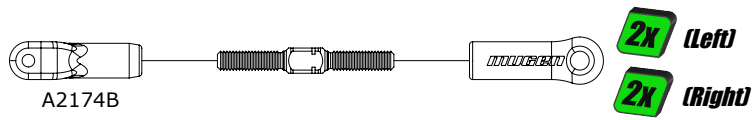
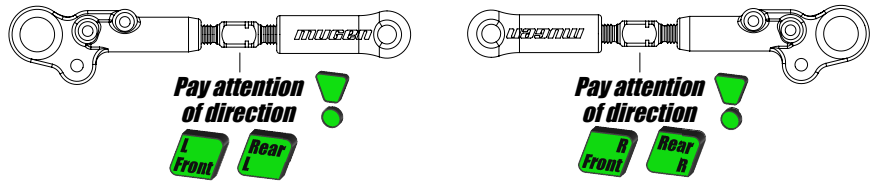
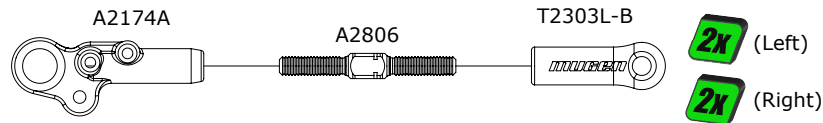
 A2803(1mm) 2pcs.

 A2804(2mm) 2pcs.

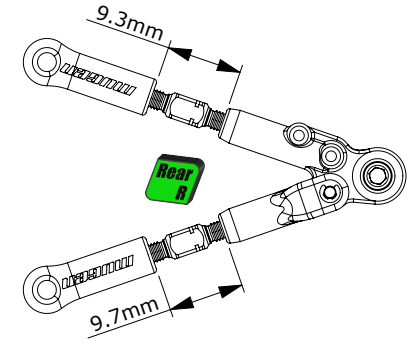
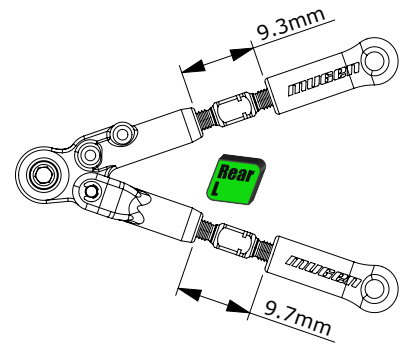
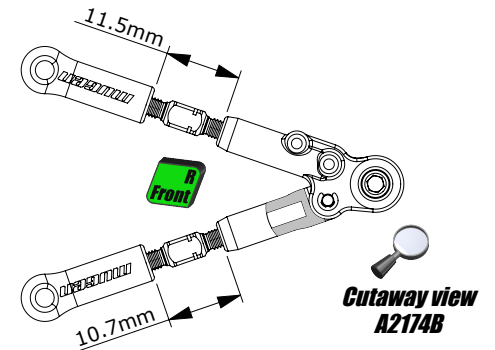
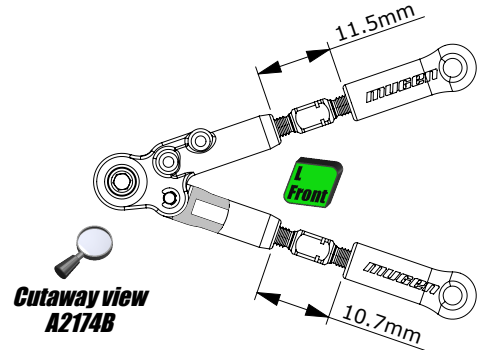


OE1.2 8pcs.

Bag
F1



Use a bit of grease to avoid losing the clip (OE1.2)

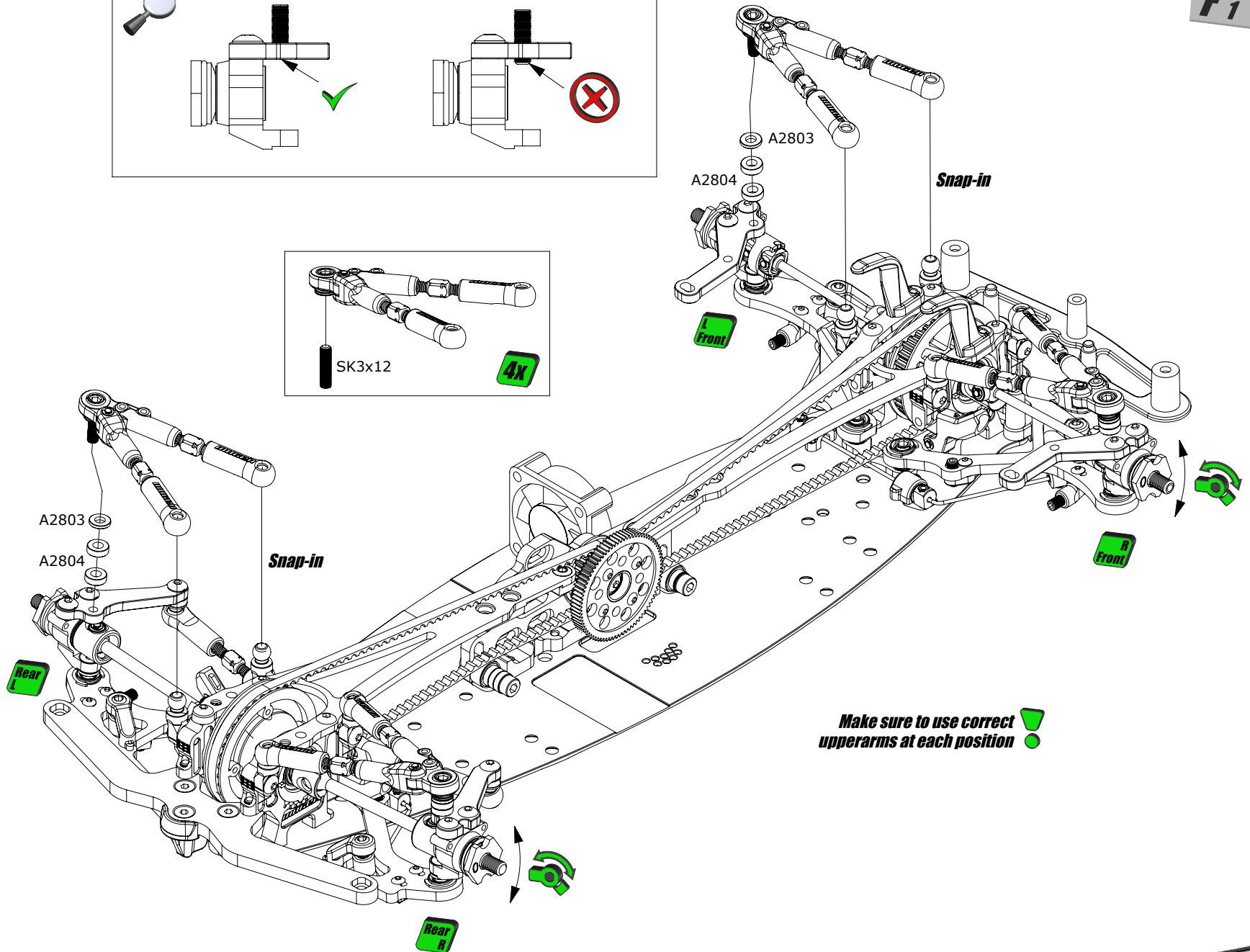
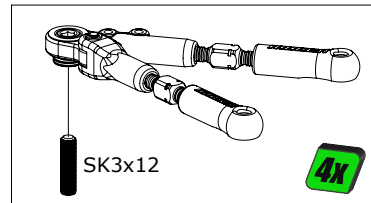
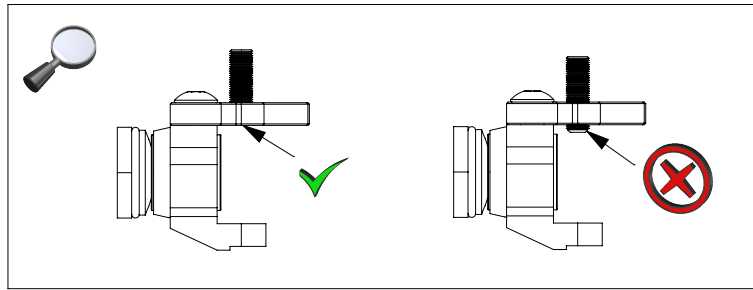


MTC3
1/10 ELECTRIC TOURING CAR

SK3x12 4pcs.

A2804(2mm) 8pcs.

A2803(1mm) 4pcs.



Bag
F1

SK3x8 1pc.

SJG3x5 2pcs. **Opt** included in A2820

SJG3x12 2pcs. **Opt** included in A2820

SiG3x10 1pc. **Opt** included in A2820

SiG3x12 1pc. **Opt** included in A2820

SiG2x6 1pc.

SN3 3pcs.

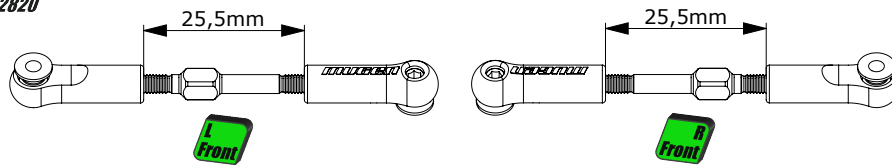
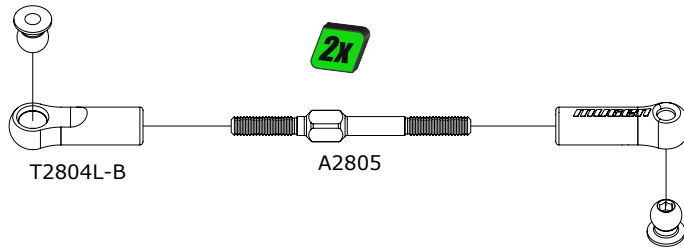
OW3x5x0,2 2pcs.

A2811(0,5mm) 1pc.

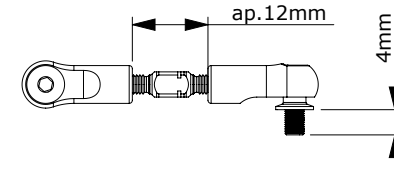
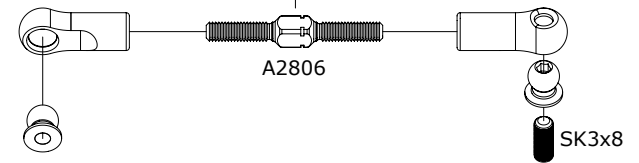
B2705 3x4,4x1 1pc.

A2601 2pcs.
(3x6x2,5 bearing)

A2813

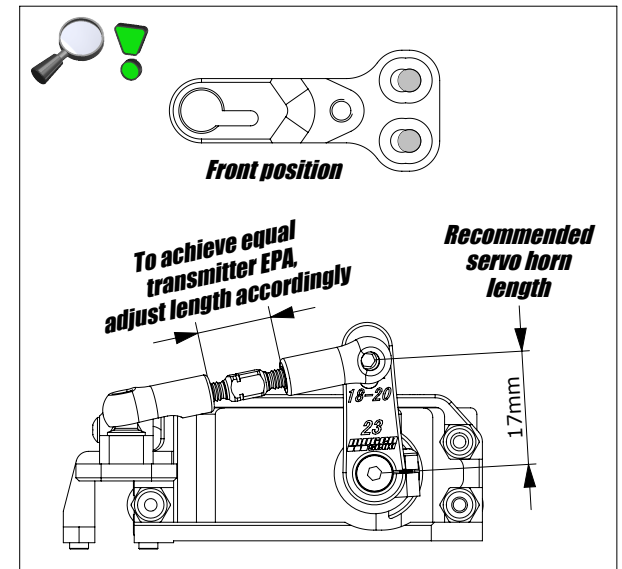
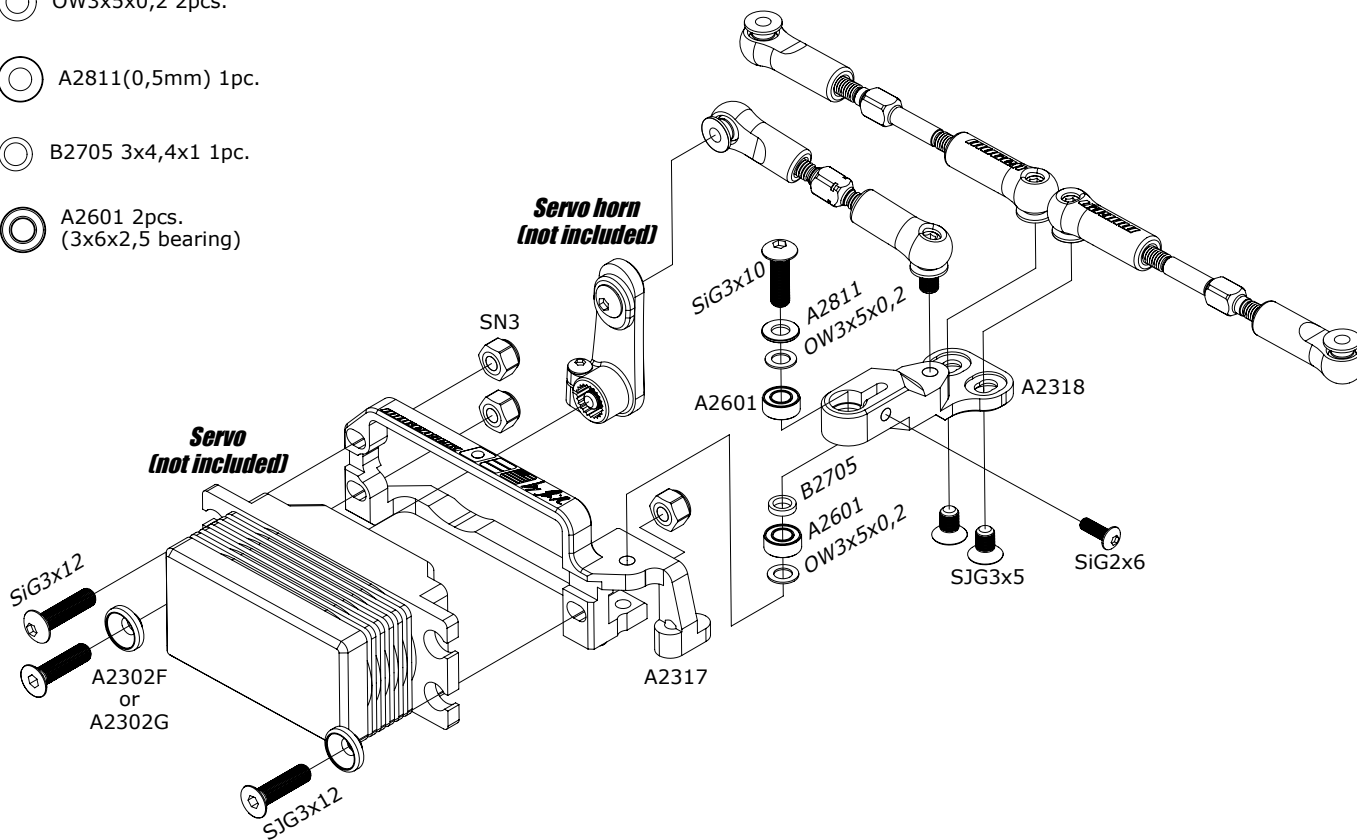


A2802C



Servo horn
(not included)

Servo
(not included)



SJG3x5 2pcs.

SJG3x8 4pcs. **Opt** Included in A2820

SJG3x10 2pcs. **Opt** included in A2820

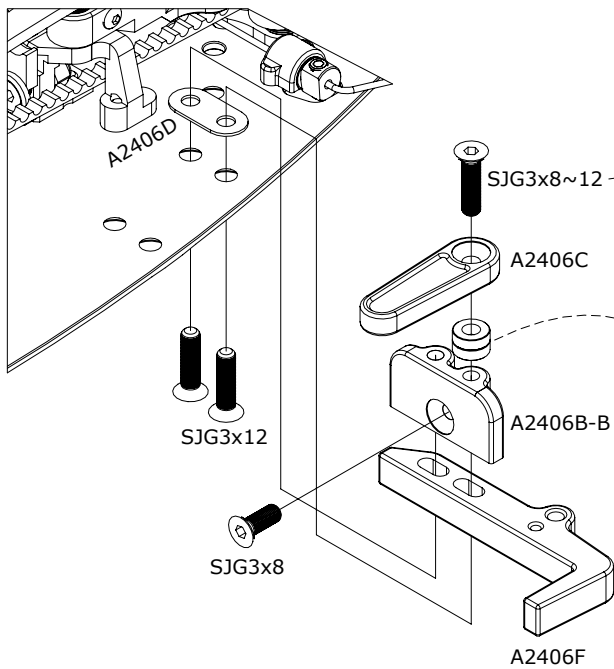
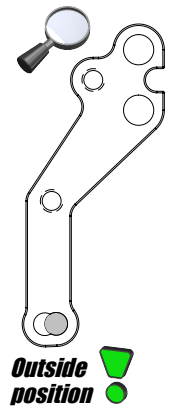
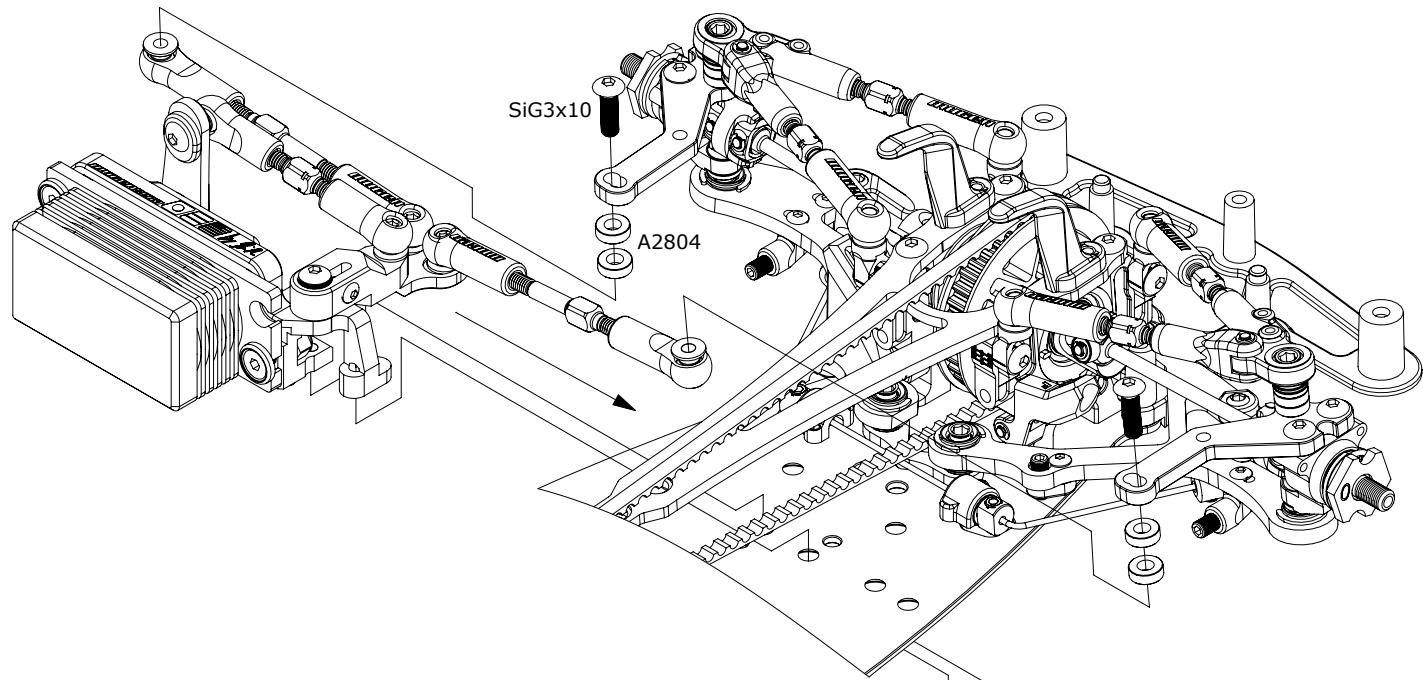
SJG3x12 6pcs. **Opt** Included in A2820
(A2820 contains only 2pcs. of SJG3x12T to attach A2406C)

SiG3x10 2pcs. **Opt** Included in A2820

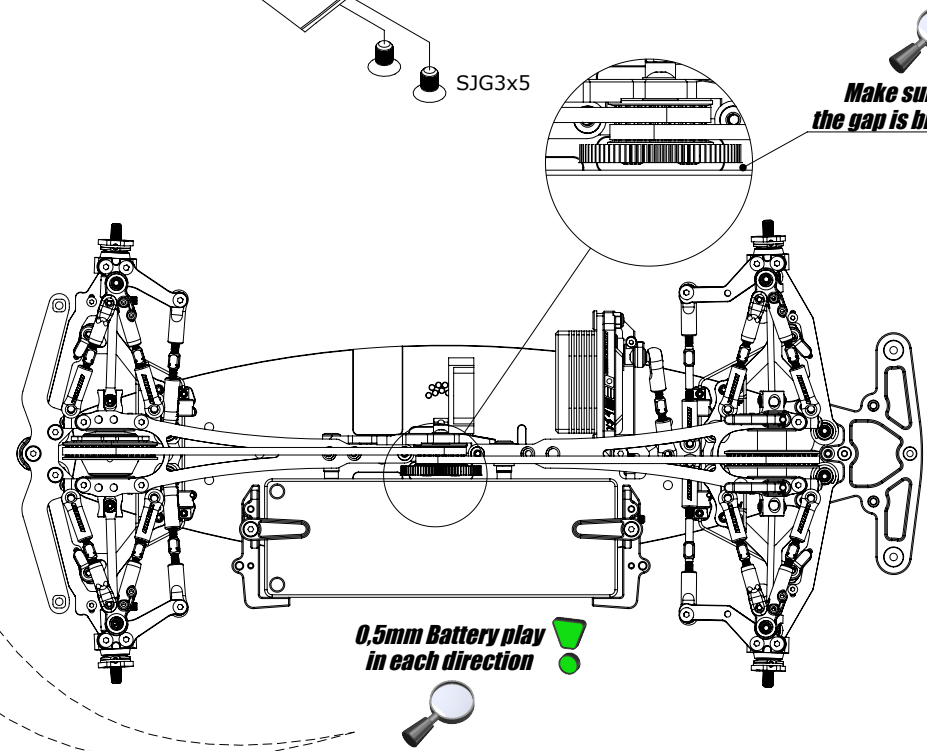
A2803(1mm) 4pcs.

A2811(0,5mm) 4pcs.

A2804(2mm) 8pcs.



To achieve the recommended play use the correct amount of shims depending the battery height



Make sure that the gap is big enough with a green exclamation mark



SK3x5 1pc.

SiG3x6 3pcs. **Opt** included in A2820

SJG2x6 1pc.



B0406 (double sided tape)

Receiver & transponder (not included)

Motor (not included)

Install the receiver & transponder with B0406 double sided tape

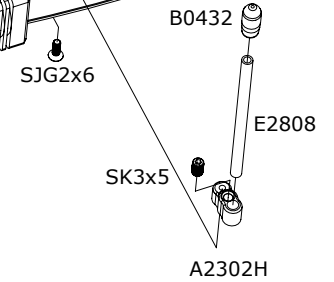
ESC (not included)

Install ESC with B0406 double sided tape

Pinion (not included) Recommended brand: Axon Arrowmax

Use all 3 screws!

Antenna mount

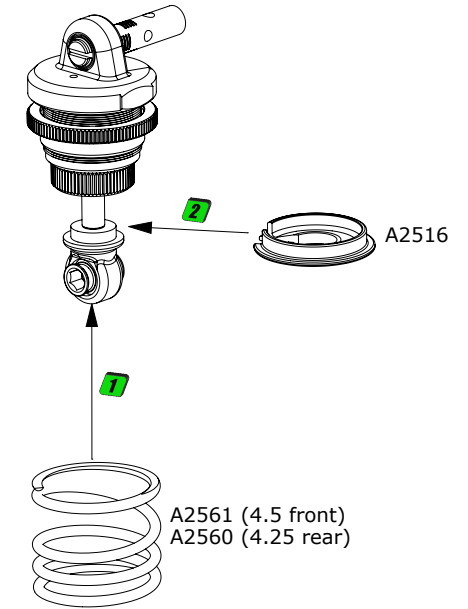
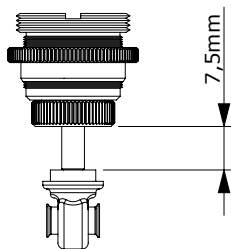
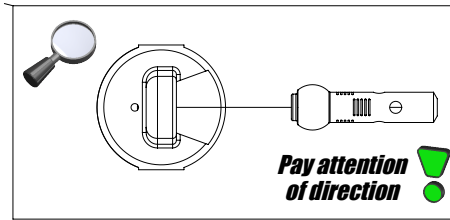
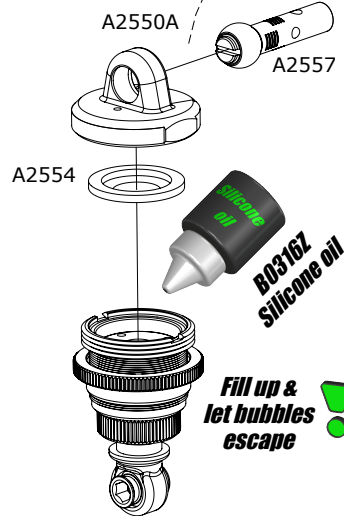
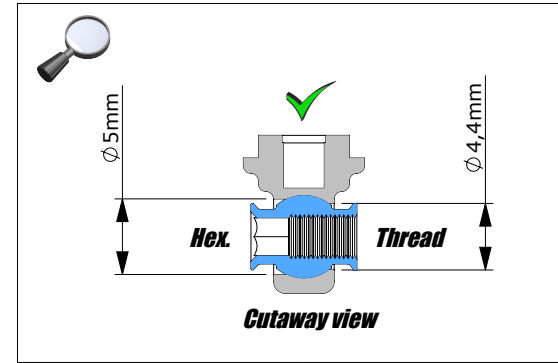
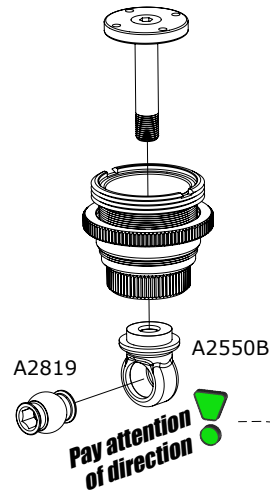
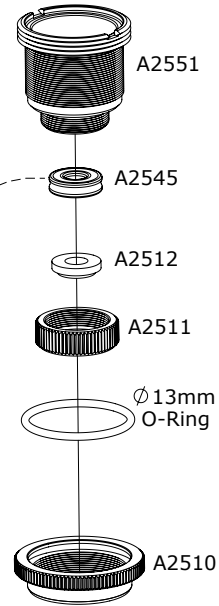
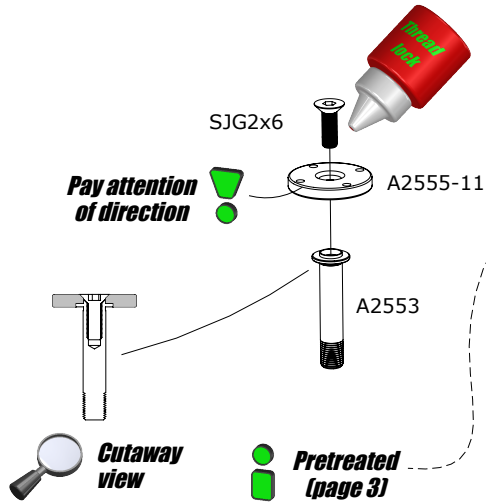


Tighten the pinion from the bottom



SJG2x6 4pcs.

Bag A2 Bag G1
B0316Z
(Silicone oil)



4x

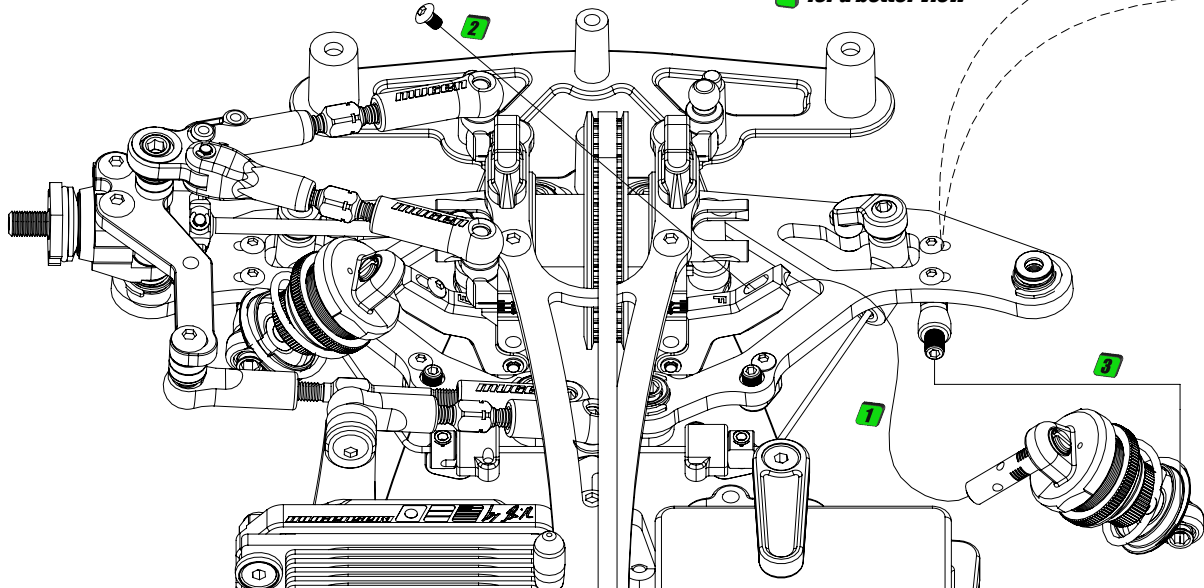
MTC3
1/10 ELECTRIC TOURING CAR

SiG2x4 2pcs.

SiG2x4

Several parts hidden
for a better view

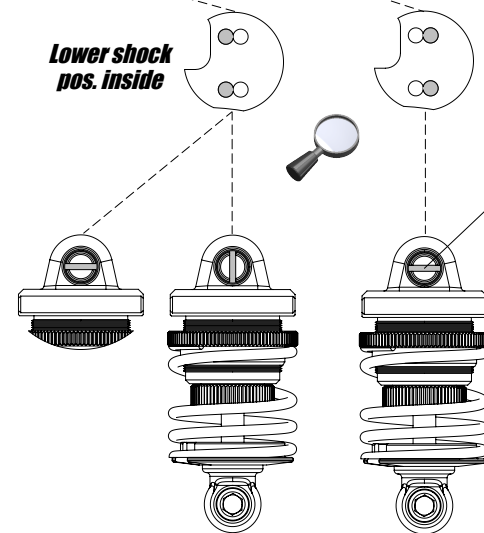
Bag
G1



Lower shock
pos. inside

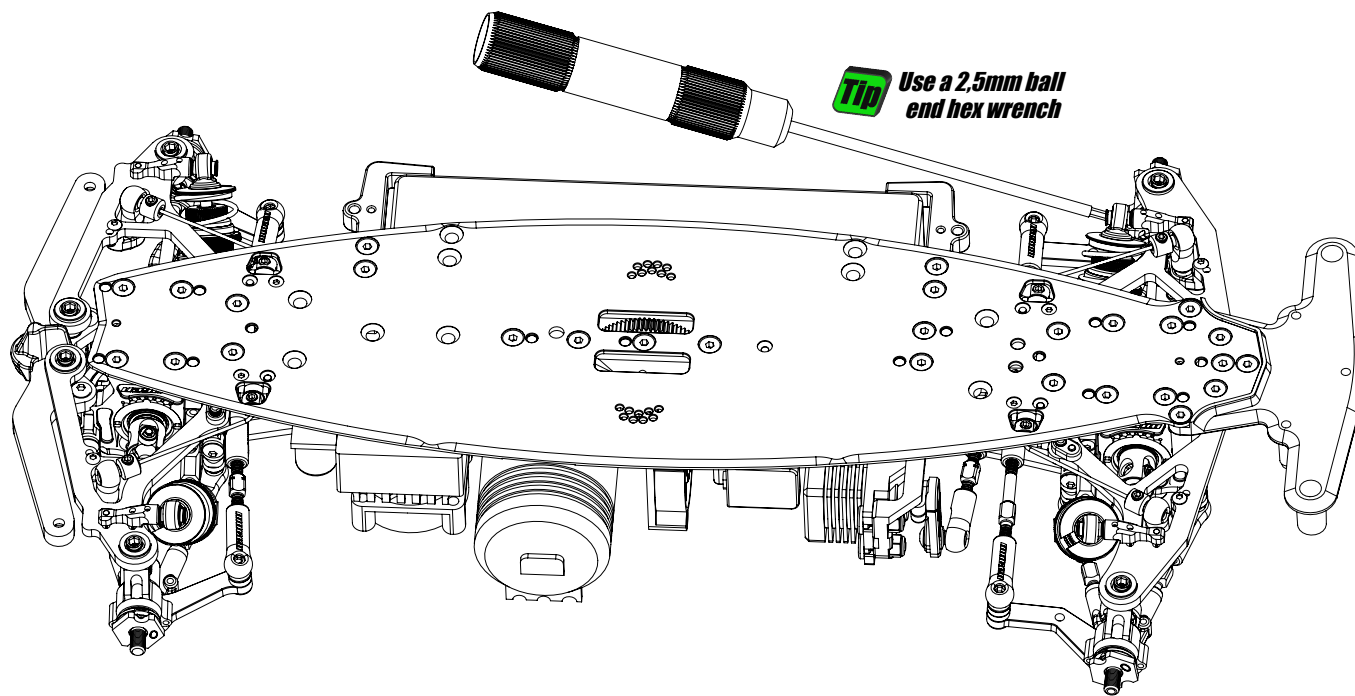
Lower shock
pos. outside

Horizontal only



Inside position = 0
Outside position = 3 (mm)
Default = 2 (mm)

Use a 2.5mm ball
end hex wrench

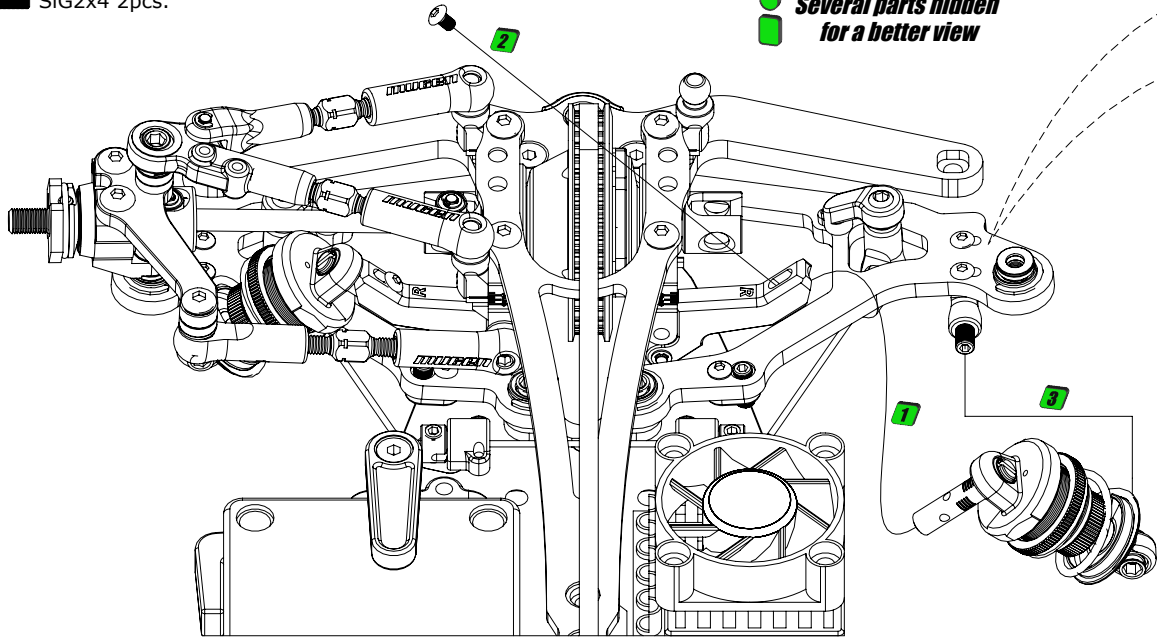


SiG2x4 2pcs.

SiG2x4

Several parts hidden
for a better view

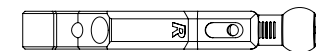
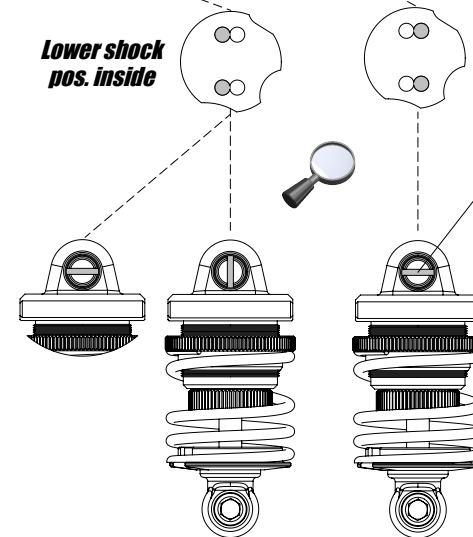
Bag
G1



Lower shock
pos. inside

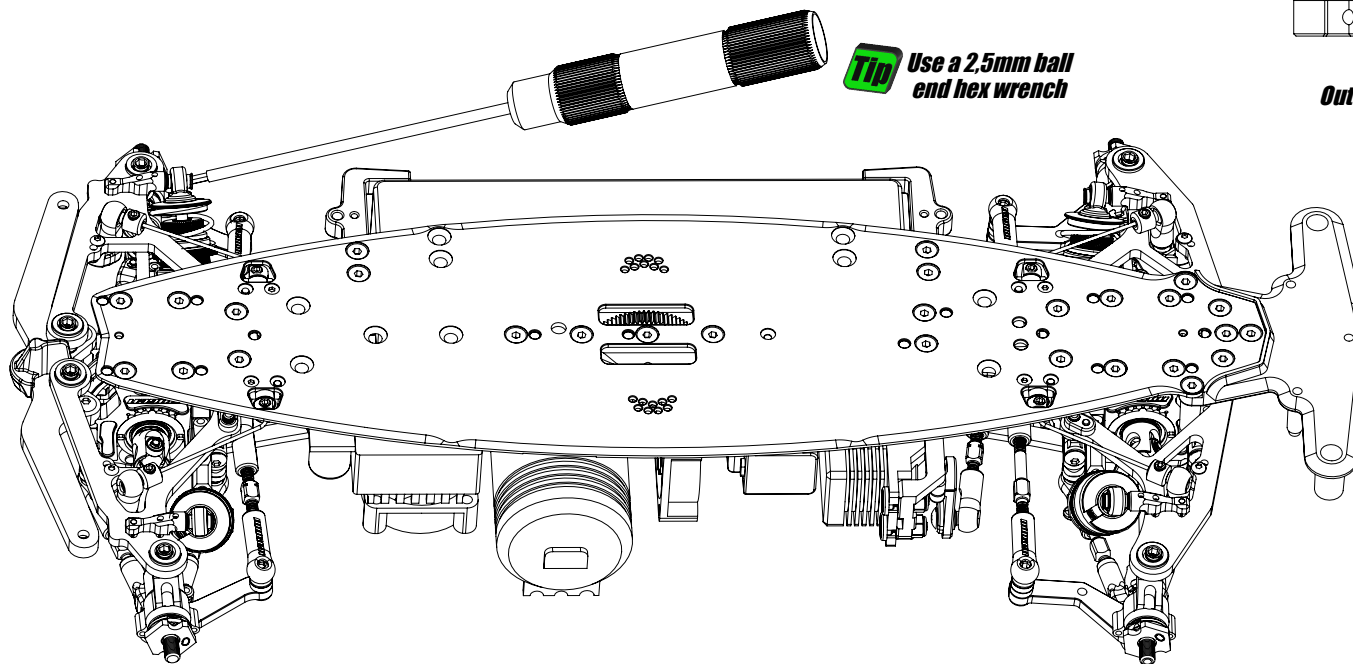
Lower shock
pos. outside

Horizontal only



Use a 2.5mm ball
end hex wrench

Inside position = 0
Outside position = 3 (mm)
Default = 2,5 (mm)



SK3x6 2pcs.

SiG2x6 2pcs.

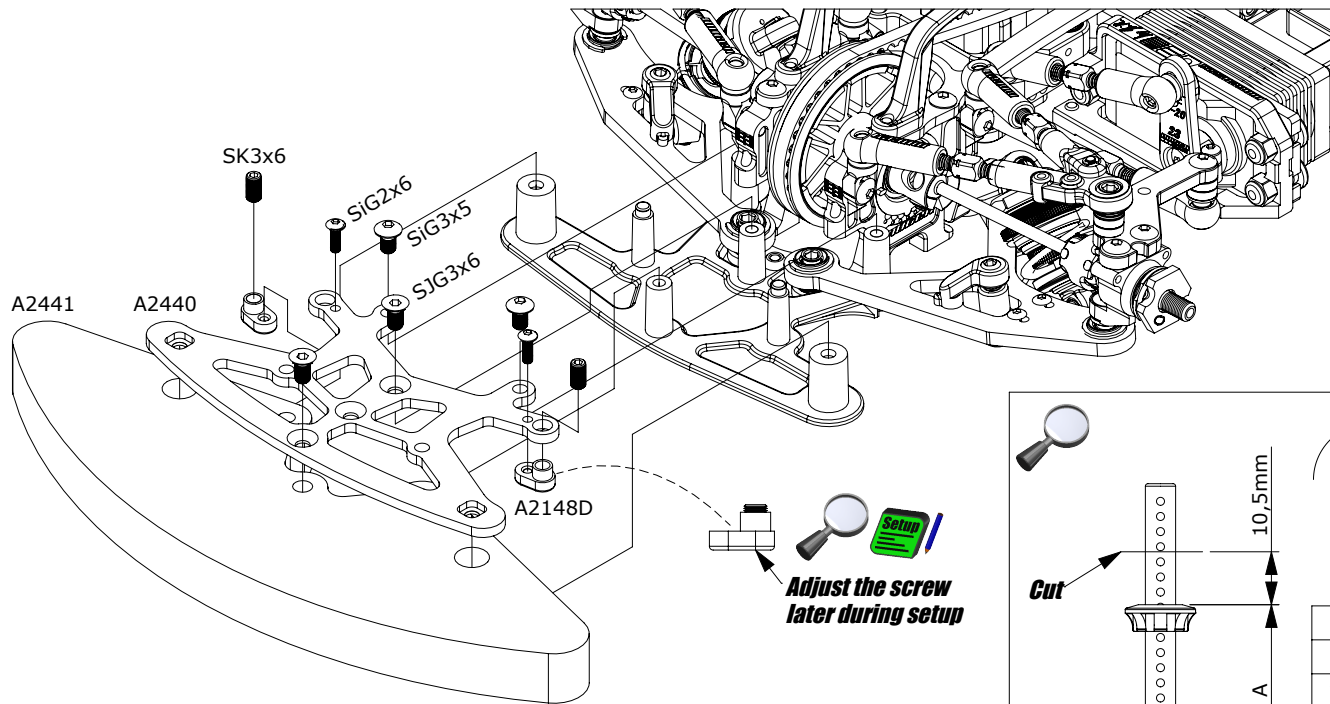
SiG3x5 2pcs. **Opt** included in A2820

SiG3x10 2pcs. **Opt** included in A2820

SiG3x6 2pcs. **Opt** included in A2820

S5 (O-Ring) 2pcs.

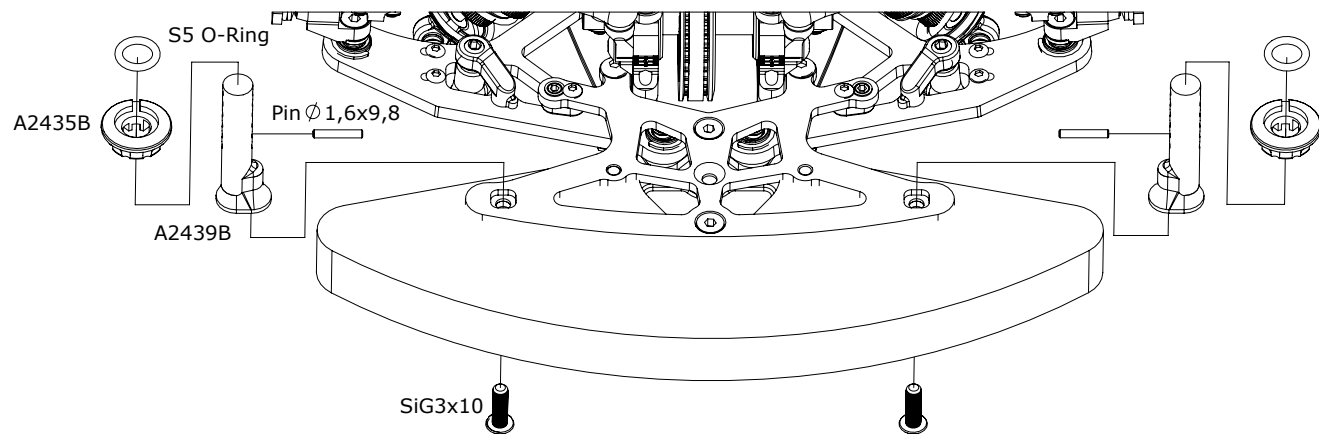
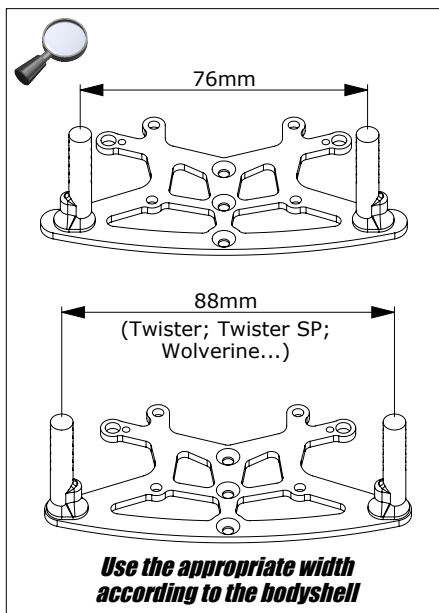
∅ 1,6x9,8 (pin) 2pcs.



Adjust the screw later during setup

Fine adjustment: 0,5mm by each slot

| Bodytype | Length (A) |
|------------------|------------|
| Twister | 28-29.5mm |
| Twister speciale | 28-29.5mm |
| Wolverine | 26-27.5mm |



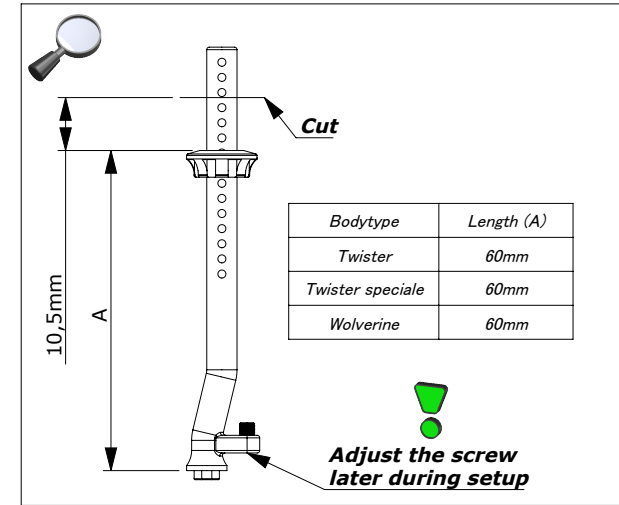
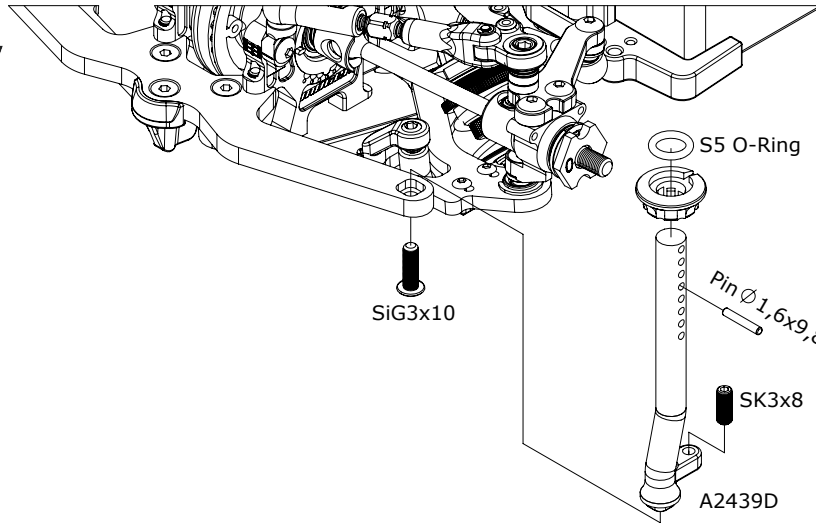
SK3x8 2pcs.

SiG3x10 2pcs. **Opt** included in A2820

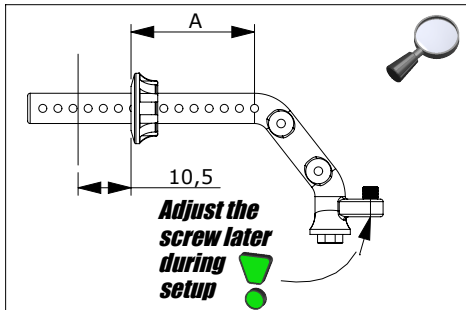
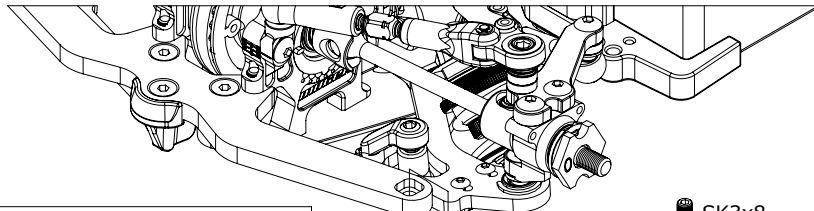
S5 (O-Ring) 2pcs.

Pin $\varnothing 1,6 \times 9,8$ (pin) 2pcs.

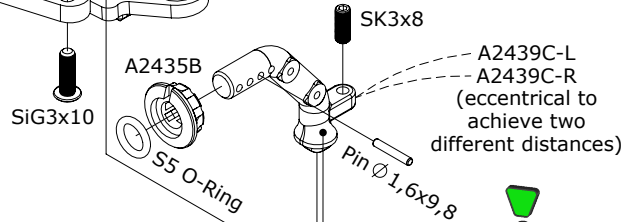
Vertical



Horizontal

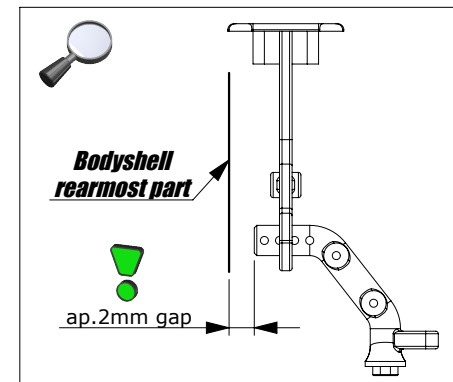
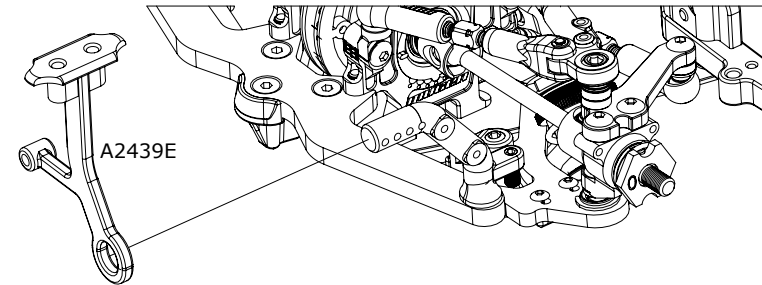


| Bodytype | Length (A) | Length (A) with A2439E | Cutting line |
|------------------|------------|------------------------|--------------|
| Twister | 14mm | 3,5mm | +10,5mm |
| Twister speciale | 14mm | 3,5mm | +10,5mm |
| Wolverine | 14mm | 3,5mm | +10,5mm |



In combination with A2439E please use the following distances:
Small: Twister; Twister speciale...
Large: Wolverine....

Horizontal + A2439E



Find more info on next page!

SiG3x6 2pcs. **Opt** Included in A2820

SJG3x6 4pcs. **Opt** Included in A2820

SiG3x6

A2803/04/11 according to bodyshell (not included)

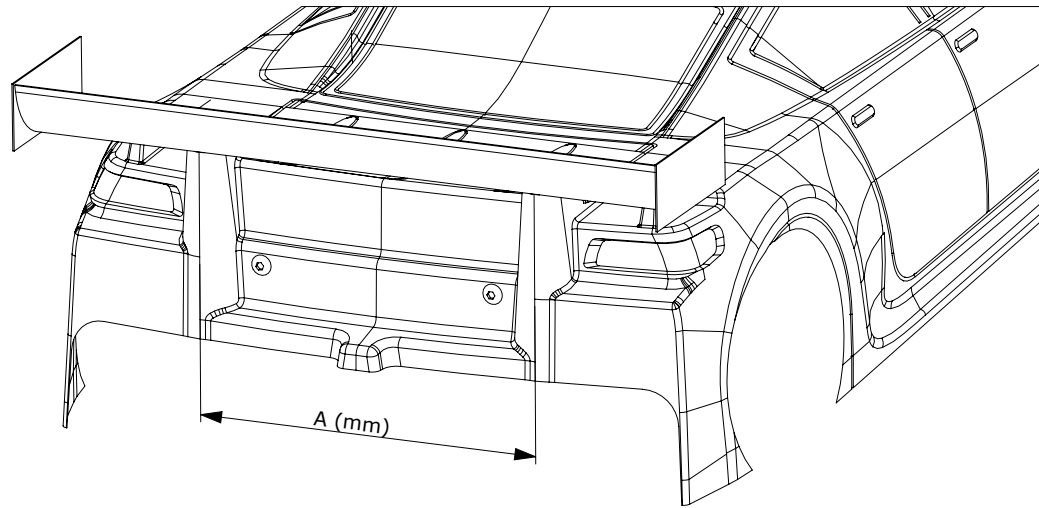
A2439E

H0181A-G
H0181B-G
H0181C-G
H0181D-G
according to preferred bodyshell height (not included)

1mm with Twister or Twister speciale is a good starting point.

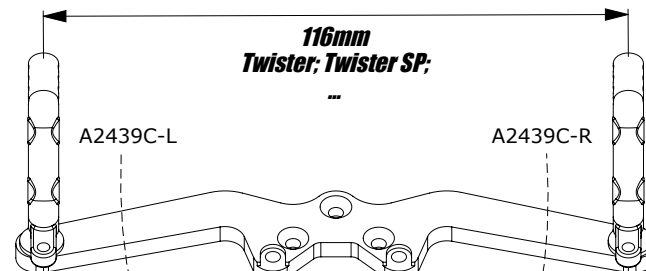
A2439F

SJG3x6



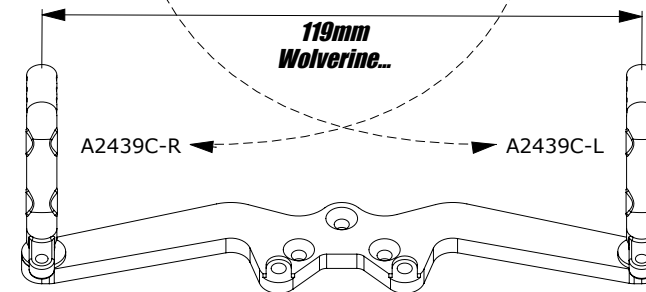
Bag
H1

A=97mm
116mm



116mm
Twister; Twister SP;
...

A=100mm
119mm



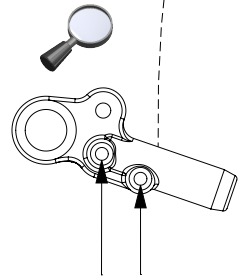
119mm
Wolverine...

SiG2x12 2pcs.

SiG2x14 2pcs.

! The foam taped to the bodyshell should touch the body support

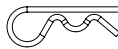
SiG2x12
or
SiG2x14



Choose screw position according to the bodyshell

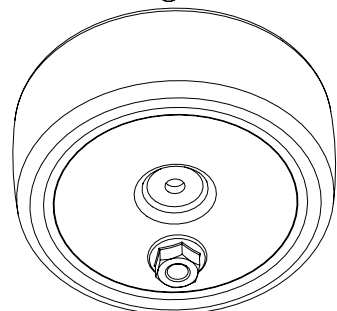
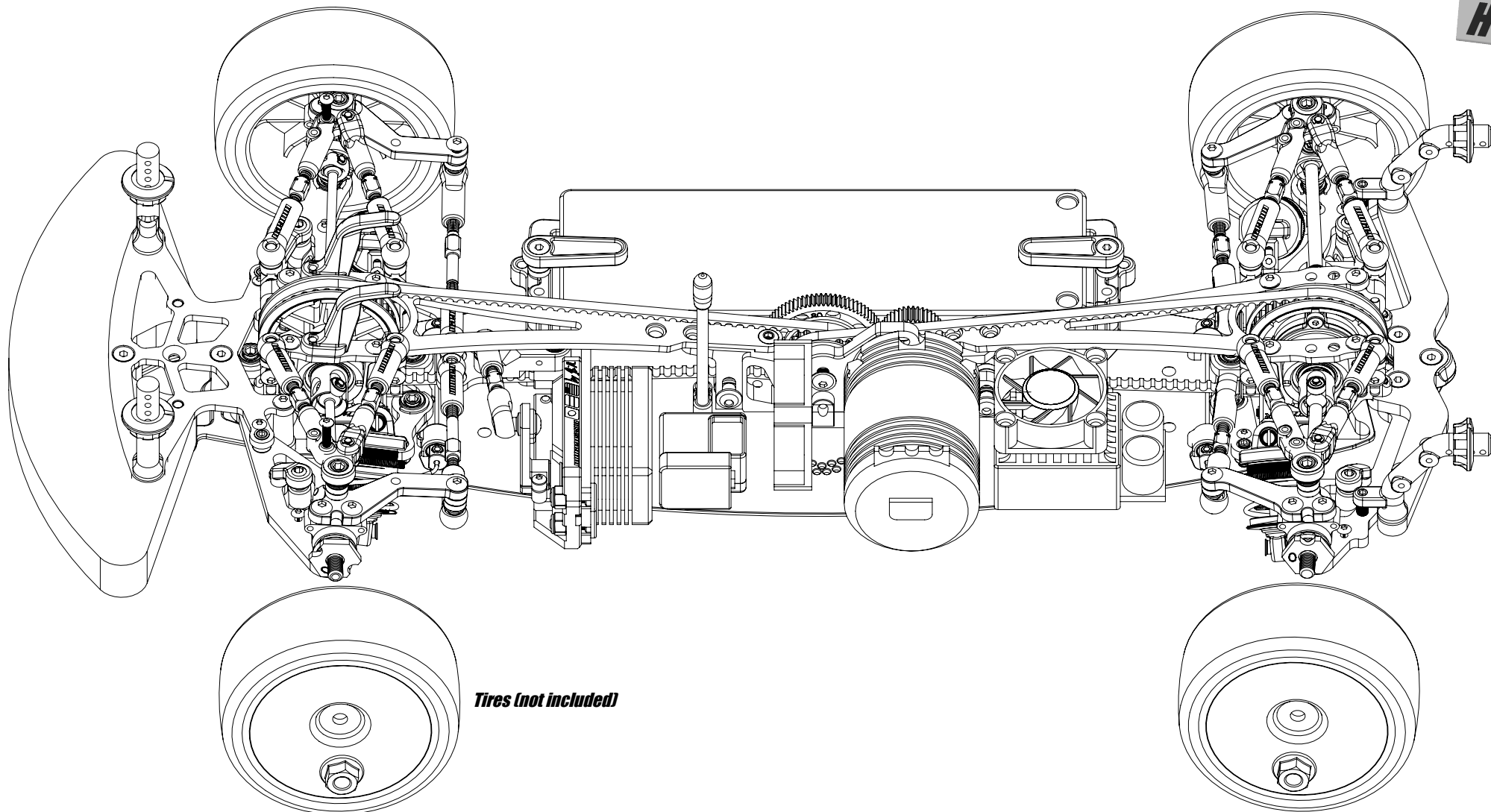
The screw should touch the bodyshell when chassis clearance is 1mm !

1mm

 B0422 4pcs.

 B0716 4pcs.

Bag
A2
Bag
H1



Tires (not included)

B0716