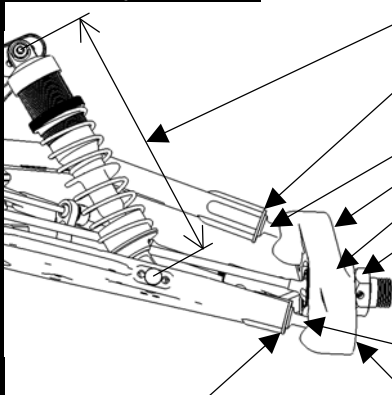


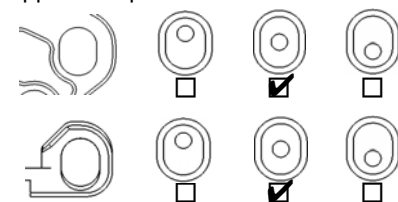
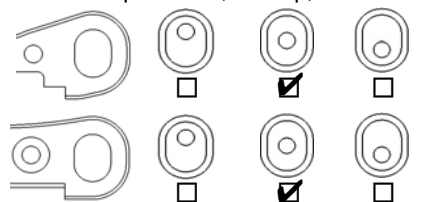
Name: <u>E2023</u>	Track conditions	Result
Date: _____	Size: <input type="checkbox"/> Open <input type="checkbox"/> Med. <input type="checkbox"/> Tight	Race time / Lap: _____
Track: _____	Traction: <input type="checkbox"/> High <input type="checkbox"/> Med. <input type="checkbox"/> Low	Best lap (1Lap): _____
	Surface: <input type="checkbox"/> Smooth <input type="checkbox"/> Med. <input type="checkbox"/> Bumpy	

Front suspension



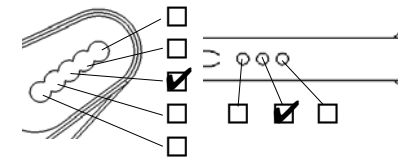
Rebound stop: 105mm Ride height: 36mm
 Toe angle: out
 Kingpin ball spacer: 0 Lower arm plate:
E2161A,B
E2166(CFRP)
E0160 E2123(Steel) Anti roll bar: φ 2.4 (E0165)
E0159 E2124(Steel) Upper arm spacer: 2mm
E2146 E2147(1.5)
E0241(2mm)
E0239 E0240(1mm)
E0160 E2123(Steel)
E0159 E2124(Steel)

Kingpin ball spacer: 1mm Lower arm spacer: 0
 Upper arm position: Lower arm position (Kick up):

	
--	--

Front shocks


Piston: E2569 Oil: #600
 Spring: φ 1.5L75-7.5 (E0574)
 Shock position:



Pivot ball position:
Front Rear

Steering ackerman

↑Front



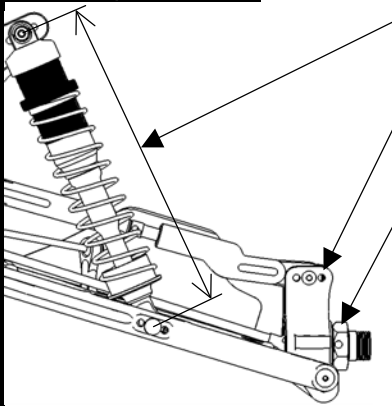
Front upper plate

E2148D E2158(CFRP)

Servo saver arm

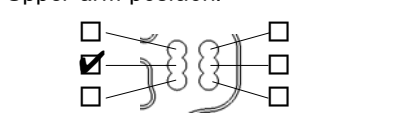
E2301A E2310(Aluminum)

Rear suspension

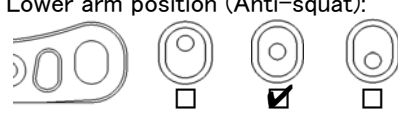


Rebound stop: 127mm Ride height: 38mm
 Camber angle: -2°
E2131
E2134(Aluminum) Lower arm plate:
E2162A,B
E2167(CFRP)
E0241(2mm) Anti roll bar: φ 2.7 (E0168)
E0239 E0240(1mm) Lower arm spacer: 0

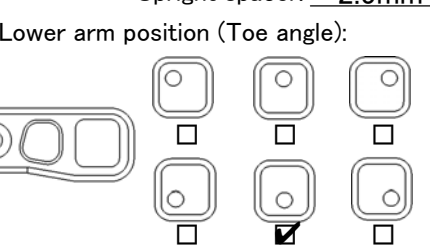
Upper arm position:



Lower arm position (Anti-squat):

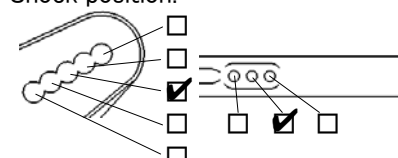


Upright spacer: 2.5mm Lower arm position (Toe angle):



Rear shocks

Piston: E2569 Oil: #600
 Spring: φ 1.5L86-7.75 (E0578)
 Shock position:



Pivot ball position:
Front Rear


Center shaft

E2215,E2216(CVD) E2230,E2231

Tension rod

Front: E2107A(Long) E2107B(Short)
 Rear: E2148C E0803(Rubber)

Weight



_____ g _____ g

Engine

Type: _____ Plug: _____ Reducer: _____
 Muffler: _____ Fuel: _____ Gasket: _____
 Engine mount: E0701(Standard) E2713(One Piece)

Diff. gear

	Oil
Front:	<u>#10,000</u>
Rear:	<u>#7,000</u>
Center:	<input type="checkbox"/> 44T <input type="checkbox"/> 46T <u>#10,000</u>
	<input checked="" type="checkbox"/> 47T <input type="checkbox"/> 48T

Tires

Front	Rear
Type: _____	_____
Compound: _____	_____
Inserts: _____	_____
Wheel: _____	_____

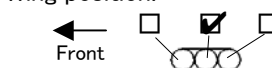
Clutch

Clutch bell: 13T 14T

	φ 0.9	φ 0.95	φ 1.0	φ 1.05	φ 1.1
A	<input type="checkbox"/> C0754	<input type="checkbox"/> E0704	<input checked="" type="checkbox"/> E0710	<input type="checkbox"/>	<input type="checkbox"/>
B	<input type="checkbox"/> C0754	<input type="checkbox"/> E0704	<input checked="" type="checkbox"/> E0710	<input type="checkbox"/>	<input type="checkbox"/>
C	<input type="checkbox"/> C0754	<input type="checkbox"/> E0704	<input checked="" type="checkbox"/> E0710	<input type="checkbox"/>	<input type="checkbox"/>

Body/Wing

Body: Kit
 Wing: Kit
 Wing position:



Comments

.....

