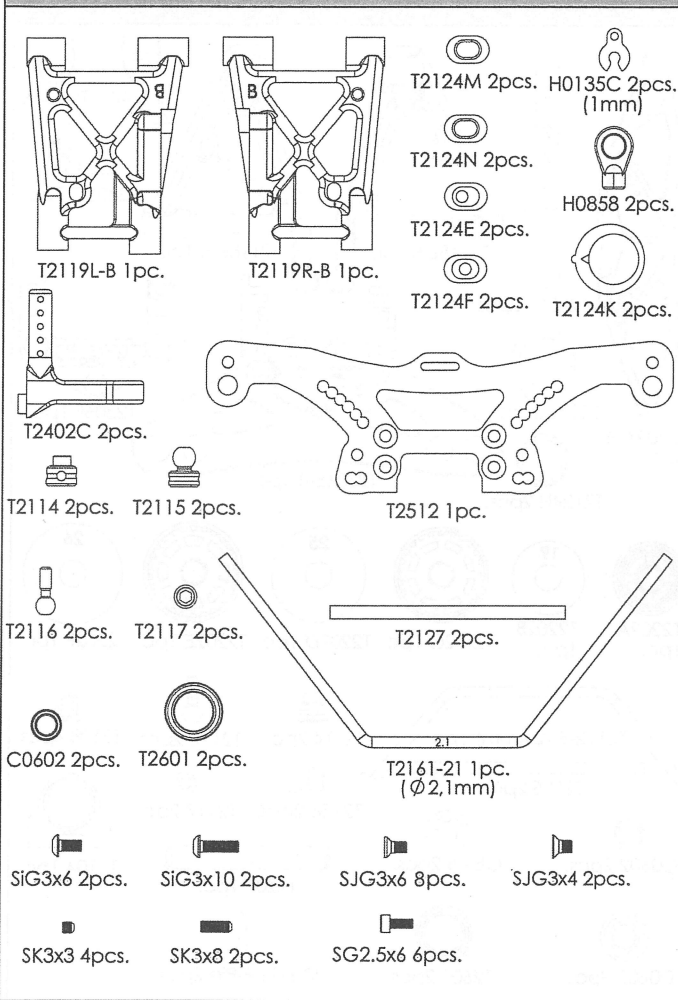
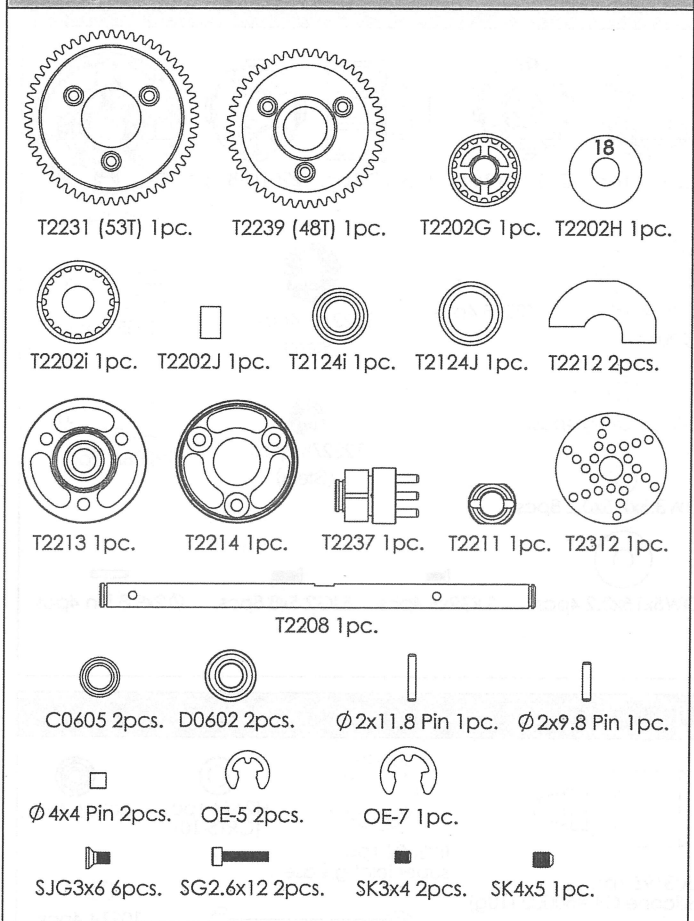


T2006 MTX7R Kit Bag Details キット袋詰め明細

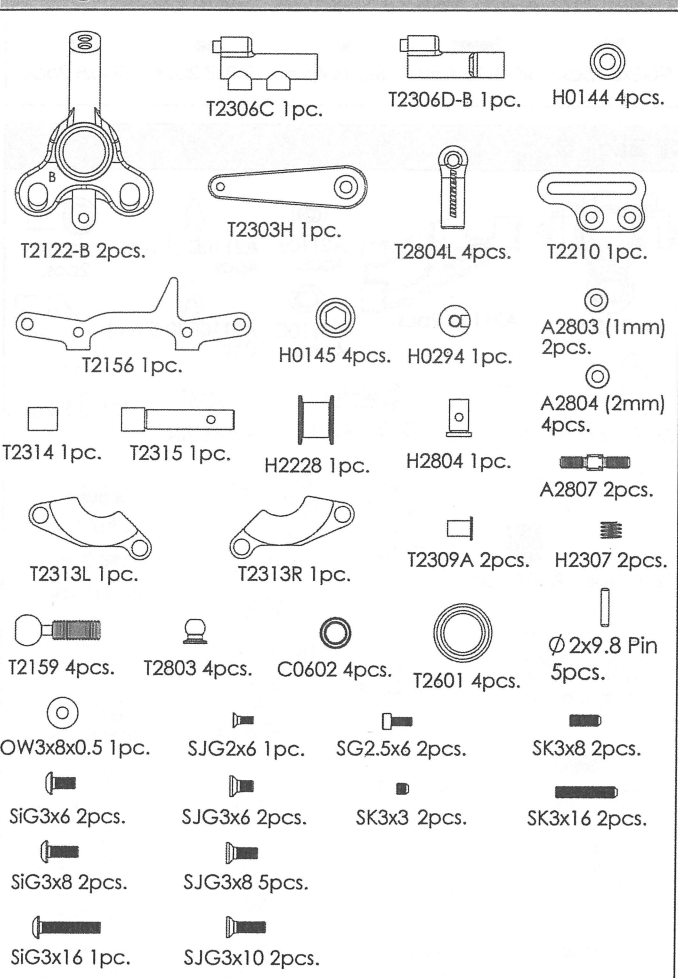
Kit Bag - D1



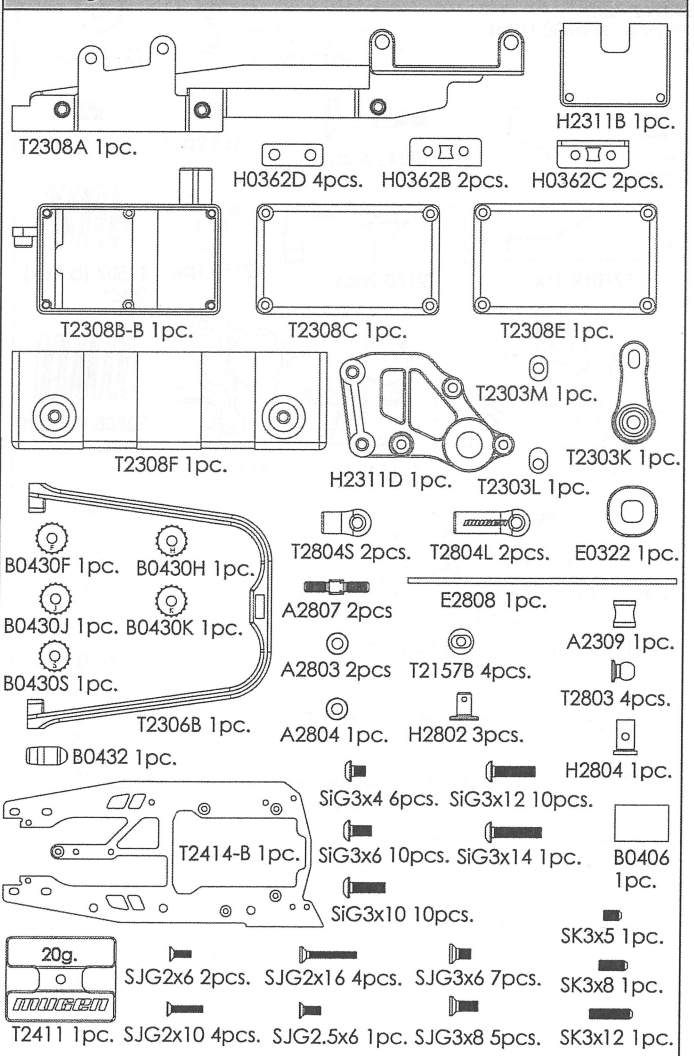
Kit Bag - F1



Kit Bag - E1



Kit Bag - G1



CAUTION ※In order to avoid accidents and personal injury, be sure to observe the following:

HANDLING OF THE ENGINE RC CAR:

Engine RC car runs at a very fast, and uses expensive flammable glow fuel for the model. Exhaust sound becomes noise sometimes to the other people. Operate the model in the area with safety, no troublesome, no personal injury, no property damage, and no accident.

■ After assembling

1. Be sure to tight screws securely and install all parts.
2. Make sure whether the movable parts work smoothly.
3. Turn on the switch of the receiver and transmitters, and make sure whether the steering servo and engine control servo work normally.

■ Do not operate it:

1. In the place where many people around
2. near children
3. near the residential districts, school, and hospital
4. near the road and railroad track
5. indoors
6. at early morning and at night
7. at the same time when somebody uses the same frequency
8. when the battery of receiver and transmitter weak
9. when the model behave strangely

■ Start to operate

Be sure to observe the following process. Non-observance will make RC car start suddenly, and may lead the damage and unexpected accident.

1. Make sure the battery charges fully.
2. Put the RC car on the starter box and float the tires from the ground.
3. Turn on the switch of the receiver.
4. Turn on the switch of the transmitter.
5. Make sure the steering servo and engine control servo work normally and adjust them correctly.
6. Put the fuel in the tank, and close the cap securely.
7. Heat the plug.
8. Push the back of RC car on the starter box and start the engine. (If the engine is new, follow the instruction manual and be sure to smooth new engine. If not, engine will break suddenly by the high rotation.)

■ Finish to operate

1. Stop the engine. (Use up the fuel in the tank or force to stop the flywheel that is seen from the bottom of the chassis by the sole of shoe, etc.)
2. Turn off the switch of the receiver.
3. Turn off the switch of the transmitter.

■ Maintenance after running

Do care after running to keep performance, and to notice the damage and the wear.

1. Do not leave the fuel in the tank.
2. Exhaust oil insides the muffler should go outside.
3. Clean up the sand and mud.
4. Put the oil on the movable parts such as shaft carrier, suspension, etc and the bearing.
5. Put the rustproof oil (maintenance oil) inside of the engine.

CAUTION: FUEL

The glow fuel for radio control models that is used for the engine RC car is made of the combination of the methyl alcohol, the oil or composition oil, nitro methane etc. The flammability of these elements is to be very high, have volatility, be fully careful of handling and the storage.

- Only use the glow fuel for radio control models the model shop sells. Other fuel, such as the gasoline and kerosene may break engine, and there is fear of explosion and accident such as a fire. Never use it.
- The flammability of the fuel is very high. Don't do the fuel lubrication and the preparation for operating near the fire.
- Never do handling of the lubrication in the inside and mixing of the fuel in the place where ventilation is bad.
- Fuel is harmful. It is dangerous to drink and to inhale the volatile element of the fuel and exhaust. Never do.
- Avoid fire, direct sunlight, high temperature, near battery and store the fuel in the cool, dry and dark places out of children's reach.
- Don't leave the fuel in the fuel pump and the fuel tank. There is danger that fuel leaks out.
- Wipe out the spilt fuel with the useless cloth completely.
- Remove a cap first and throw the empty fuel can away. Don't throw an empty can into the fire. There is danger of explosion.

CAUTION: ENGINE

Confirm the position of needle and idling before running. Be sure to smooth new engine.

- Never remodel engine and muffler.
- There is danger that it gets burned because around the engine and the muffler generate high temperature for a while after use.
- Do not touch the rotating parts at high speed such as clutch bell and flywheel. There is danger that it gets hurt.
- If the fuel pipe is choked or deteriorates, the engine may not start and there is danger the fuel leaks out.
- Be sure to put the air filter. Use the filter that is soaked air filter oil.
- Engine may not start if the air filter is dirty, choked with the sand and dust.

FIRST AID

- If you drink fuel by accident, drink large quantities of water and emit it and right after that, see a doctor.
- If fuel is within eyes, wash it away with the water well, and right after that, see a doctor.
- If fuel is stuck to the skin, wash it with soap and water