

A-Parts

A2110a A2110A 1pc. A2110B 2pcs. A2110C 2pcs. A2110D (1mm) 2pcs. A2110E (0.5mm) 4pcs.	A2113 A2113 2pcs.
A2234a OP A2234 10pcs. S5 Soft O-Ring (RED50°)	A2309a A2309 2pcs. SJG3x14 2pcs.
A2410 A2410 4pcs.	
A2523 OP A2523 10pcs. P3 Soft O-Ring (RED50°)	A2802 A2802C 4pcs. A2110F 4pcs. A2802A 1pc. A2802B 4pcs. A2124 2pcs.
A2803a A2803 (1mm) 10pcs.	A2804a A2804 (2mm) 10pcs.
A2807a A2807 1pc.	
A2808 A2808 2pcs.	A2810 T2804L 9pcs. T2804S 1pc.
A2811a OP A2811 (0.5mm) 10pcs.	

C,D,E-Parts

C0602/2b C0602(5x8) 10pcs.	C0605 C0605 (6x10x3) 2pcs.	D0105R OP D0105R 2pcs.
D0506 D0506 2pcs. SN2.6 2pcs. OW2.6x6x0.5 2pcs.	D0508 D0508 8pcs.	D0509a D0509A 8pcs. C0509C 4pcs. P3 O-Ring (Si) 8pcs.
D0602 D0602(6x13) 2pcs.	E0257 S5 O-Ring (Si) White 10pcs.	E0322 E0322 1pc.
E2808 E2808 (150mm) 4pcs.	E2817 P2 O-Ring 10pcs.	

A-Parts

A2110a	FRONT UPPER SUSPENSION ARM
A2113	FRONT UPPER ARM HINGE PIN
A2234a	S5 SOFT O-RINGS (RED50°) OP
A2309	STEERING COLLAR
A2410	BODY HEIGHT ADJUSTER
A2523	P3 SOFT O-RINGS (RED50°) OP
A2802	BALL JOINTS
A2803a	SHIMS (φ3xφ6x1) 10pcs.
A2804a	SHIMS (φ3xφ6x2) 10pcs.
A2807a	ALUM TURNBUCKLE (18mm)
A2808a	ALUM TURNBUCKLE M4
A2810	BALL LINK SET L/S
A2811a	SHIMS (φ3xφ6x0.5) 10pcs. OP

C,D,E-Parts

C0602/2b	BEARINGS (5x8x0.5) 10pcs.
C0605	BEARINGS (6x10x3) 2pcs.
D0105R	KING PIN 2pcs.
D0506	DAMPER SHAFT
D0508	DIAPHRAGM
D0509a	O-RING SET
D0602	BEARINGS (6x13x5) 2pcs.
E0257	S5 O-RINGS (SILICONE)
E0322	RADIO BOX GROMMET
E2808	ANTENNA PIPE (150mm)
E2817	P2 O-RINGS

H-Parts

H0144 H0144 8pcs. H0254 2pcs.	H0145 H0145 2pcs.	H0181 A-Ga H0181A 0.5mm 8pcs. OP
H0181 B-Ga H0181B 1mm 8pcs. OP	H0181 C-Ga H0181C 2mm 8pcs. OP	H0181 D-Ga H0181D 3mm 8pcs. OP
H0187 OP H0187 2pcs.	H0187/2 OP H0187 6pcs.	H0293 H0293 1pc. H0294 1pc.
H0368 H0368 10pcs.	H0510a D0510F 2pcs. D0510R 2pcs.	H0513 D0513 2pcs. S12 O-Ring 2pcs.
H0523 OP H0523 φ1.6mm 2pcs. PURPLE	H0524 OP H0524 φ1.7mm 2pcs. LIGHT BLUE	H0527 OP H0527 φ1.6mm 2pcs. PURPLE
H0528 OP H0528 φ1.7mm 2pcs. LIGHT BLUE		
H0554 H0554 2pcs.	H0558 OP H0558 2pcs. (Black)	H0559 OP H0559 2pcs. (White)
H0563 H0563 2pcs.		
H0704 H0704 1pc.	H0753 H0753 1pc.	H0755 OP H0755 1pc.
H0767 OP H0767 1pc.		
H0857 OP H0857 2pcs.	H0858 H0858 10pcs.	H0864-Ba H0864-B 1pc.
H1006b OP H1006A 2pcs. H1006B 2pcs. (WHITE)	H1006/1b OP H1006C 2pcs. H1006D 2pcs. (BLACK)	

H-Parts

H0144	KING PIN BALL CUP
H0145	ADJUST NUT
H0181A-Ga	3mm SPACER 0.5mm OP
H0181B-Ga	3mm SPACER 1.0mm OP
H0181C-Ga	3mm SPACER 2.0mm OP
H0181D-Ga	3mm SPACER 3.0mm OP
H0187	TITANIUM KING PIN BALL (2pcs.) OP
H0187/2	TITANIUM KING PIN BALL (6pcs.) OP
H0293	BELT TENSIONER SHAFT
H0368	GROMMET
H0510a	DAMPER PISTON
H0513	SPRING ADJUSTER
H0523	FRONT DAMPER SPRING PURPLE φ1.6mm OP
H0524	FRONT DAMPER SPRING LIGHT BLUE φ1.7mm OP
H0527	REAR DAMPER SPRING PURPLE φ1.6mm OP
H0528	REAR DAMPER SPRING LIGHT BLUE φ1.7mm OP
H0554	DAMPER CAP
H0558	DAMPER PISTON (φ 1.2mm) OP
H0559	DAMPER PISTON (φ 1.3mm) OP
H0563	OIL SEAL CAP
H0704	ENGINE NUT
H0753	SPRING CUP
H0755	SPRING ADJUST NUT OP
H0767	CLUTCH SPRING SUPER HARD OP
H0857	TURNBUCKLE ROD (22mm) OP
H0858	BALL LINK φ6mm (S)
H0864-Ba	FUEL TANK CAP
H1006b	REAR SPOILER ADJ. SCREW (WHITE) OP
H1006/1b	REAR SPOILER ADJ. SCREW (BLACK) OP

H2115a H2115 1pc.	H2228a H2228 1pc.	H2324 OP H2324 1pc.
H2505a H2505 2pcs.	H2507 OP H2507 2pcs.	H2508 OP H2508 2pcs.
H2509a OP H2509 2pcs.	H2510a OP H2510 2pcs.	H2511a H2511 2pcs.
H2514 H0555A 4pcs. H0555B 4pcs. H0555C 2pcs. H0555D 2pcs. H0555E 2pcs. H2513 2pcs.		
H2515a H2511 2pcs. H0563 2pcs. H0554 2pcs. D0506 2pcs. D0508 2pcs. D0510F 2pcs. D0510R 2pcs. D0513 2pcs. H0555A 4pcs. H0555B 4pcs. H0555C 2pcs. H0555D 2pcs. H0555E 2pcs. T2805 4pcs. D0509A 4pcs. P3 O-Ring (Si) 4pcs. OW2.6x6x0.5 2pcs. SN2.6 2pcs. (Nylon Lock Nut) S12 O-Ring 2pcs.		
H2604 H2604 (5x10) (H.D. THRUST B.B.)	H2704 H2704 1pc.	H2713 OW5.2x10x0.1 10pcs. OW5x8x0.1 10pcs.
H2802a H2802 3pcs. P3 O-Ring 3pcs.	H2804-Aa H2804 2pcs.	
H2804-Ba H2804 1pc. D0802A 1pc. C0802B 1pc. C0802G 2pcs. H2805A 1pc. H2805B 1pc. C0802I 1pc. E0828A 1pc. E0828B 3pcs.		
H2810 16x3 (Si) 4pcs.	H2902 H2902A 1pc. C0901A 1pc.	
H2903 OP H2903 1pc. SK4x5 1pc.		

H2115a	REAR LOWER DAMPER STAY
H2228a	ROLLER BELT TENSION
H2324	SERVO SAVER SPRING OP
H2505a	REAR SHOCK UNIBALL
H2507	SHOCK PISTON 3 HOLE OP
H2508	SHOCK PISTON 4 HOLE OP
H2509a	AL. FRONT SPRING SHEET OP
H2510a	AL. REAR SPRING SHEET OP
H2511a	DAMPER CASE HC OP
H2514	DAMPER PARTS
H2515a	DAMPER SET
H2604	H.D. THRUST BEARING (5x10)
H2704	AL. CLUTCH SPRING ADJ. NUT
H2713	CLUTCH WASHER SET
H2802a	FUEL TANK MOUNT
H2804-Aa	BUSHING
H2804-Ba	LINKAGE PARTS
H2810	O-RING FUEL TANK CAP (Si)
H2902	MUFFLER MOUNT
H2903	MUFFLER STOPPER OP

T-Parts

T0214 T0214 2pcs. SK3X2.6 2pcs.	T0215 φ2x9.8 Pin 8pcs.
T0247-B T0247-B 2pcs.	
T0268 T0268 1pc.	T0269 T0269 1pc.
T0270 T0270 1pc.	
T0273 T0273 2pcs.	T0307 T0307 1pc. S10 O-Ring 1pc.
T0308 T0308 1pc.	
T0801 T0801 2pcs.	T0804 OP T0804 2pcs.
T1007 MTX7 INSTRUCTION MANUAL	

T-Parts

T0214	JOINT SHAFT FOR UNIVERSAL
T0215	JOINT PIN (φ2x9.8)
T0247-B	DRIVE SHAFT MTX7
T0268	FRONT BELT (RUBBER)
T0269	REAR BELT (RUBBER)
T0270	SIDE BELT (RUBBER)
T0273	REAR DRIVE SHAFT FOR UNIVERSAL
T0307	SERVO SAVER SPRING ADJ.
T0308	SERVO SAVER SPRING
T0801	STEERING ROD
T0804	TITANIUM STEERING ROD OP
T1007	MTX7 INSTRUCTION MANUAL

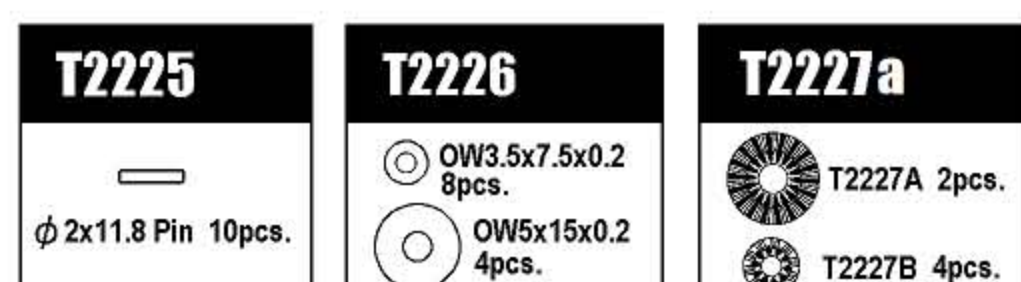
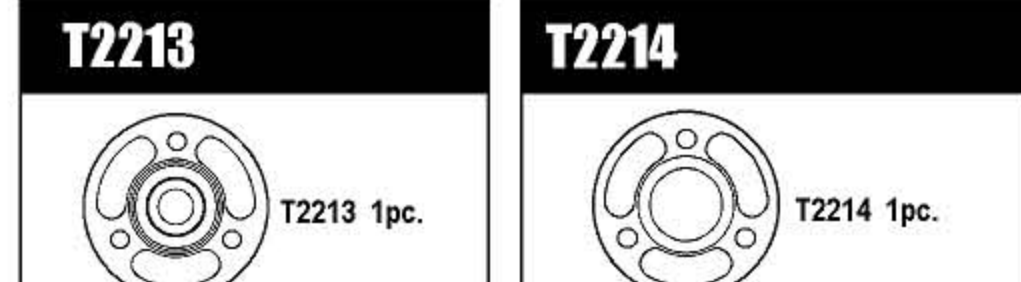
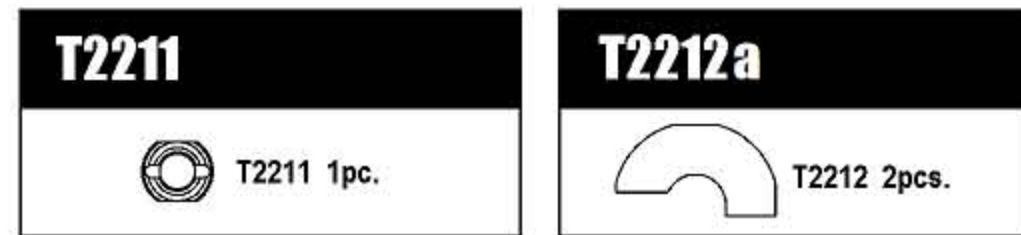
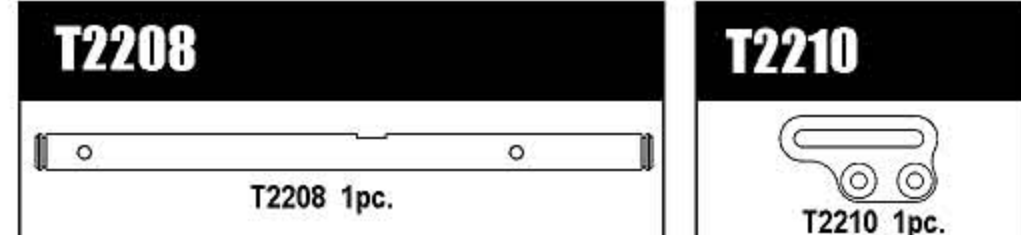
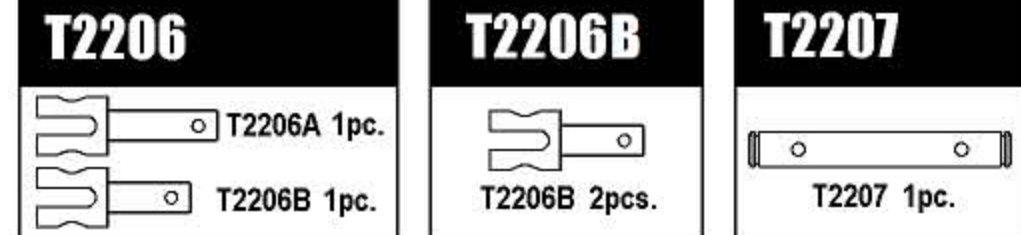
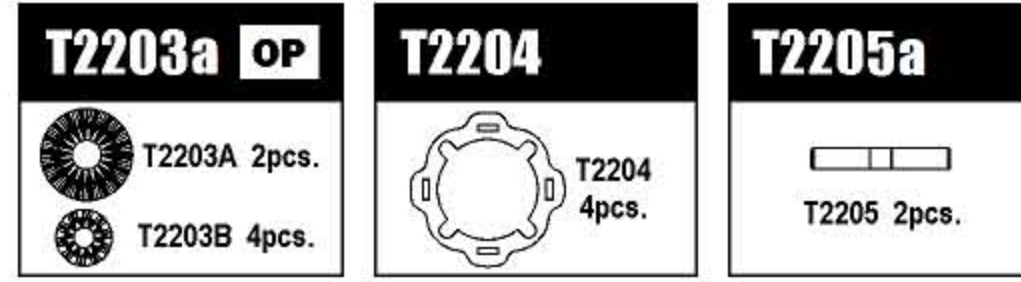
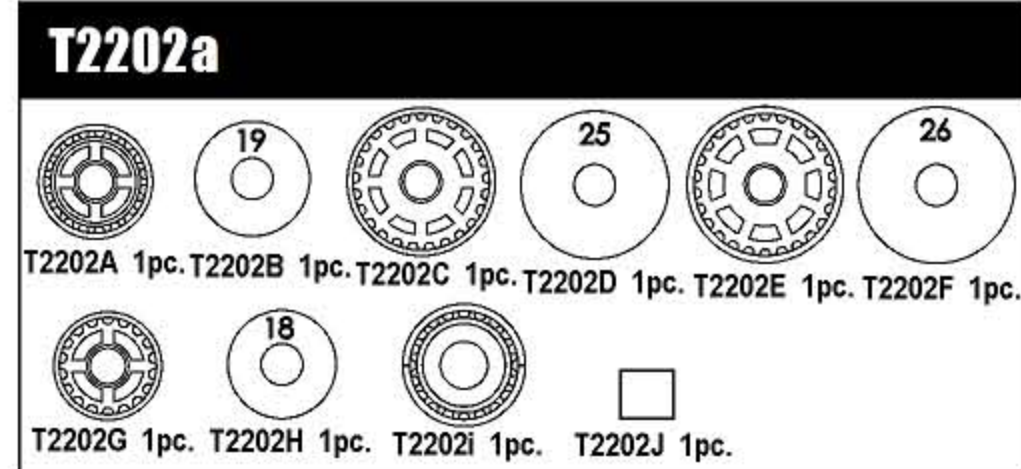
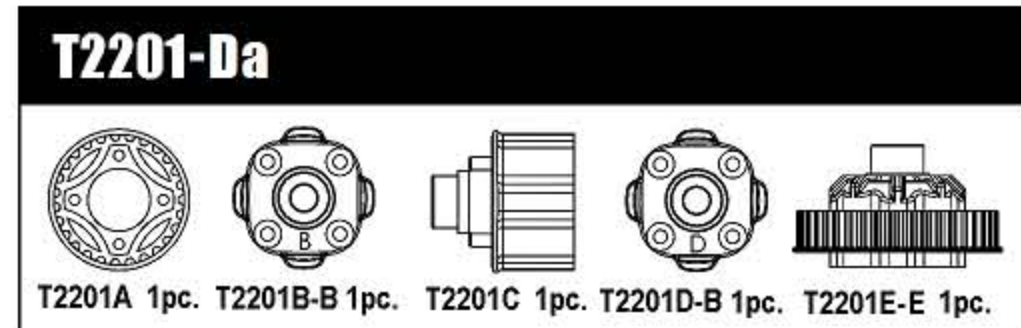
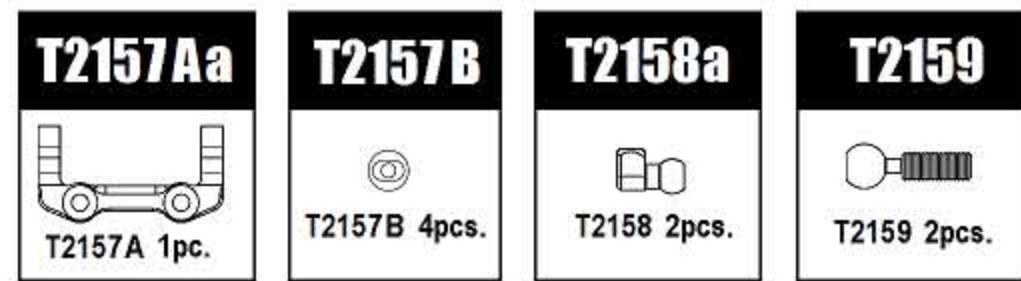
T2104 T2104 1pc.	T2108 T2108 2pcs.	T2109 T2109 2pcs.
T2110-Ba T2110-B 1pc.	T2112-Ba T2112-B φ2.4mm 1pc.	
T2113a OP T2113 φ2.4mm 1pc. OP	T2114a T2114 2pcs.	
T2115a T2115 2pcs.	T2116a T2116 2pcs.	T2117a T2117 2pcs.
T2118-Ba T2118-B 1pc.		
T2119-Ba T2119B 1pc. H0135C 2pcs.		T2119L-B 1pc. H0135D 2pcs.
T2121a T2121 1pc.	T2122-Ba T2122-B 1pc.	
T2124-Ca T2124A 1pc. T2124B 1pc. T2124E 1pc. T2124F 1pc. T2124H 1pc. T2124M 1pc. T2124N 1pc. T2124 1pc. T2124J 1pc. T2124K 1pc.		
T2125a T2125 2pcs.	T2127a T2127 2pcs.	

T2104	MIDDLE SHAFT BRACKET
T2108	FRONT LOWER ARM HOLDER
T2109a	FRONT UPRIGHT UPPER PLATE A
A2110	FRONT UPPER ARM
T2110-B	FRONT UPRIGHT ARM
T2112-Ba	FRONT ANTI-ROLL BAR (φ2.4mm)
A2113	FRONT UPPER ARM HINGE PIN
T2113a	REAR ANTI-ROLL BAR (φ2.4mm) OP
T2114a	ANTI-ROLL BAR STOPPER
T2115a	ANTI-ROLL BAR LINK BALL
T2116a	PIVOT BALL
T2117a	ADJUST NUT S
T2118-Ba	FRONT LOWER ARM (HARD)
T2119-Ba	REAR LOWER ARM (HARD)
T2121a	FRONT UPRIGHT
T2122-Ba	REAR UPRIGHT (HARD)
T2124-Ca	LOWER ARM MOUNT
T2125a	FRONT LOWER SUS. SHAFT
T2127a	REAR LOWER SUS. SHAFT

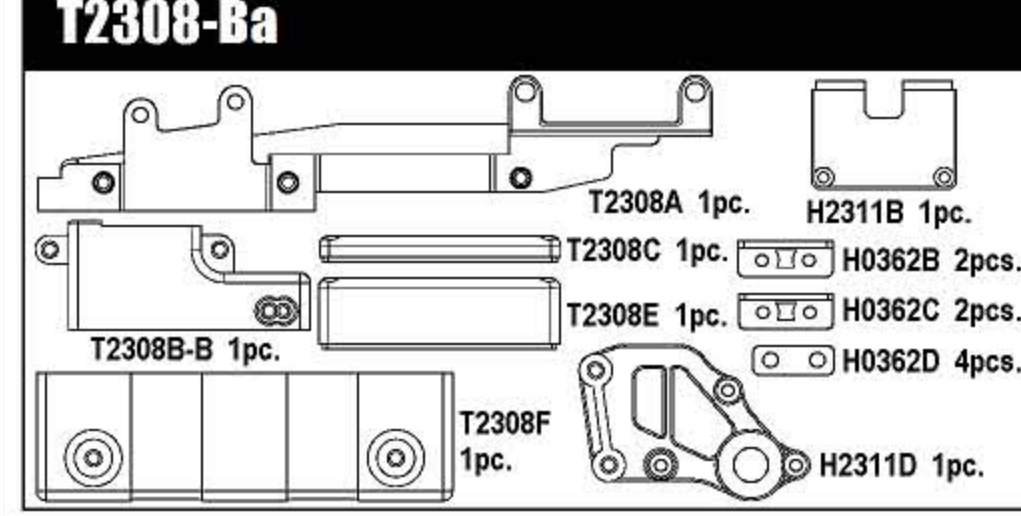
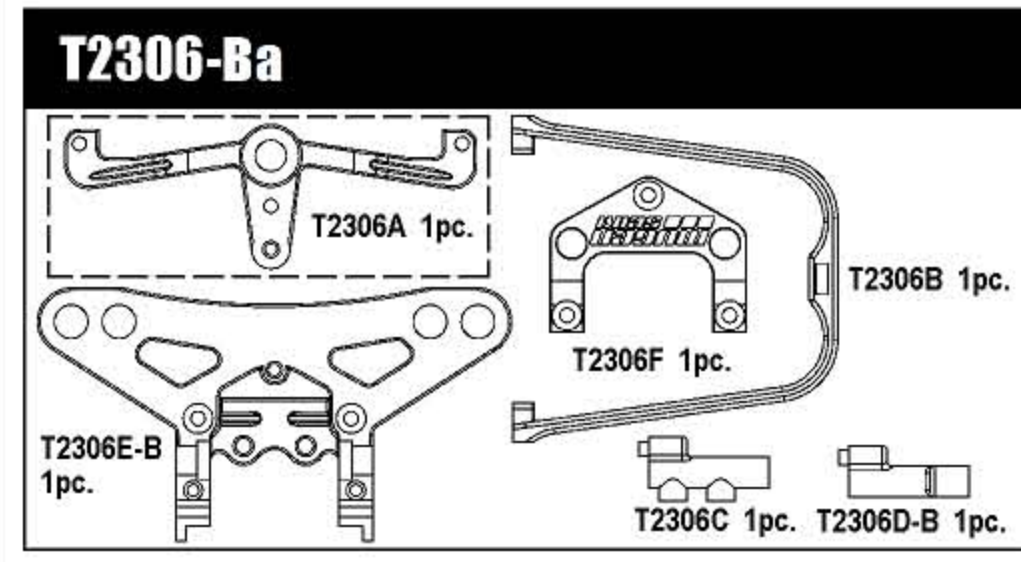
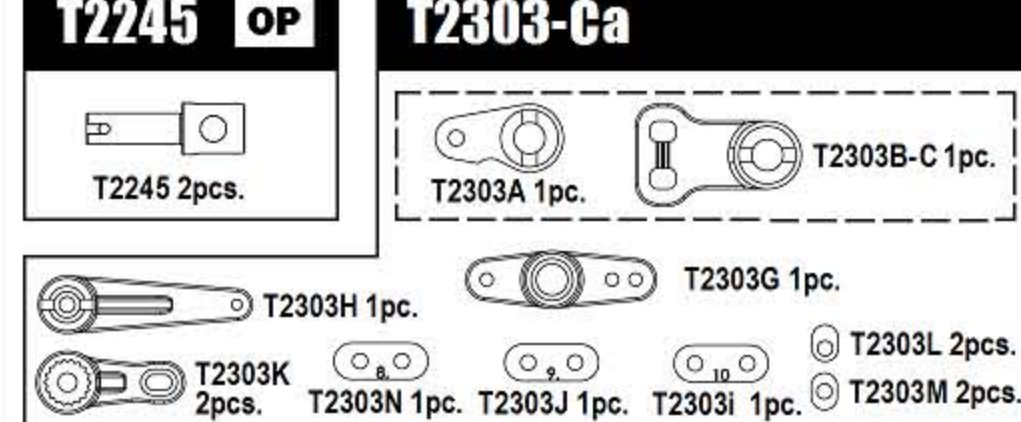
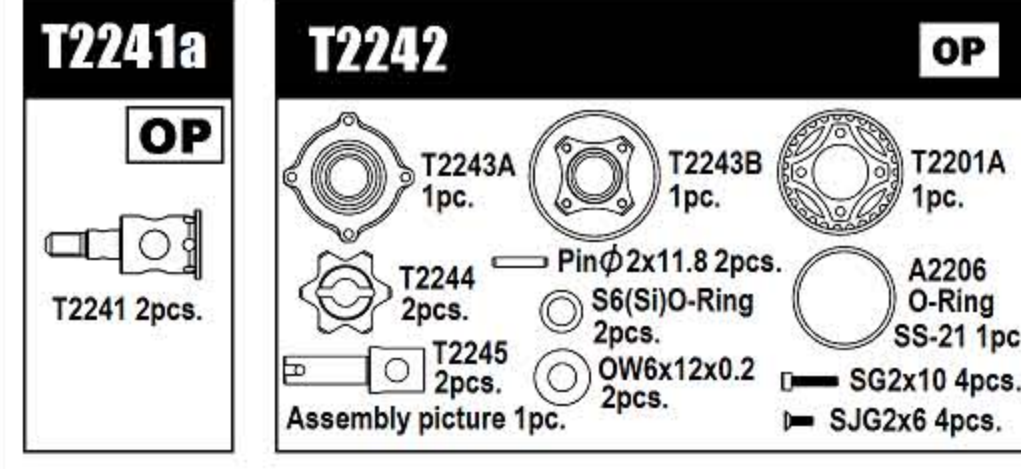
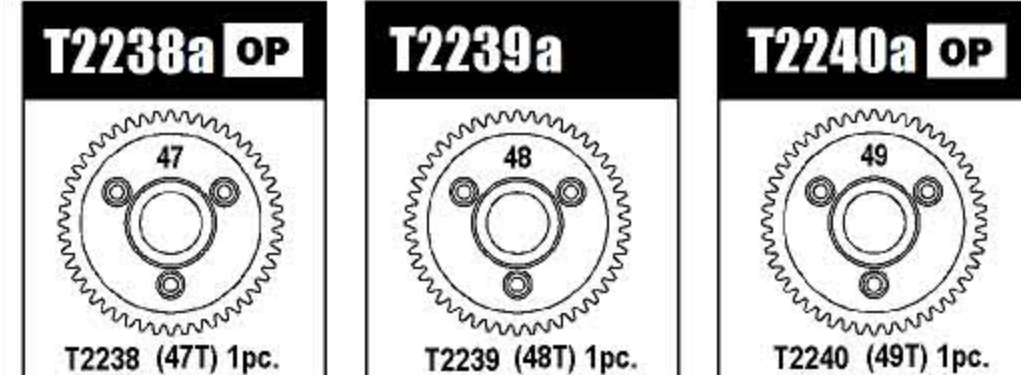
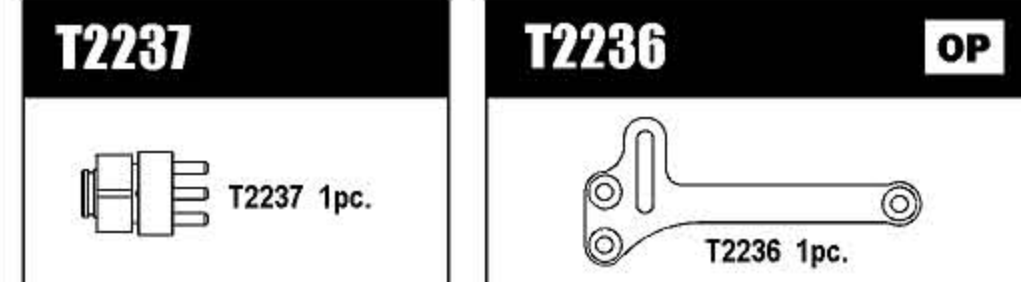
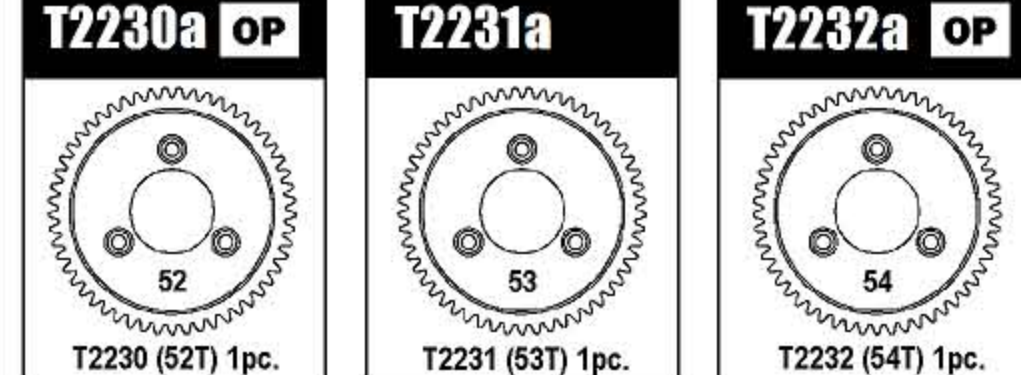
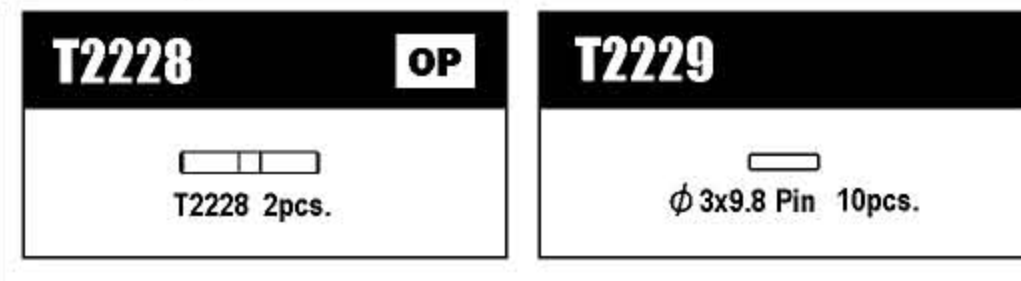
T2128a OP T2128 2pcs.	T2129a OP T2129 2pcs.
T2130 T2130 2pcs. SG2x6 2pcs.	T2131 OP T2131L 1pc. T2131R 1pc.
T2133-Ba T2134-Ba T2135-Ba OP T2133-B φ2.2mm 1pc. OP T2134-B φ2.3mm 1pc. OP T2135-B φ2.5mm 1pc. OP	
T2136a T2137a T2138a OP T2136 φ2.2mm 1pc. OP T2137 φ2.3mm 1pc. OP T2138 φ2.5mm 1pc. OP	T2139 T2139 1pc.
T2144-Ba T2145-Ba OP T2144-B φ2.0mm 1pc. OP T2145-B φ2.1mm 1pc. OP	T2146a T2147a OP T2146 φ2.0mm 1pc. OP T2147 φ2.1mm 1pc.
T2148a T2148 2pcs.	T2152 T2152 1pc.
T2153L T2153L 1pc.	T2153R T2153R 1pc.
T2154L T2154L 1pc.	T2154R T2154R 1pc.
T2155 T2155 1pc.	T2156a T2156 1pc.

T2128a	FRONT UPRIGHT DISC OP
T2129a	REAR UPRIGHT DISC OP
T2130	AL. WHEEL HUB
T2131	FRONT UPRIGHT UPPER PLATE B OP
T2133-Ba	FRONT ANTI-ROLL BAR (φ2.2mm) OP
T2134-Ba	FRONT ANTI-ROLL BAR (φ2.3mm) OP
T2135-Ba	FRONT ANTI-ROLL BAR (φ2.5mm) OP
T2136a	REAR ANTI-ROLL BAR (φ2.2mm) OP
T2137a	REAR ANTI-ROLL BAR (φ2.3mm) OP
T2138a	REAR ANTI-ROLL BAR (φ2.5mm) OP
T2139	FRONT BULKHEAD
T2144-Ba	FRONT ANTI-ROLL BAR (φ2.0mm) OP
T2145-Ba	FRONT ANTI-ROLL BAR (φ2.1mm) OP
T2146a	REAR ANTI-ROLL BAR (φ2.0mm) OP
T2147a	REAR ANTI-ROLL BAR (φ2.1mm)
T2148a	AL. PIVOT BALL φ7 OP
T2152	REAR LOWER BULKHEAD
T2153L	REAR UPPER BULKHEAD L
T2153R	REAR UPPER BULKHEAD R
T2154L	GEAR SHAFT BULKHEAD L
T2154R	GEAR SHAFT BULKHEAD R
T2155	GEAR SHAFT BULKHEAD BRAKE CAM INSERT
T2156a	GEAR SHAFT BULKHEAD BRACE

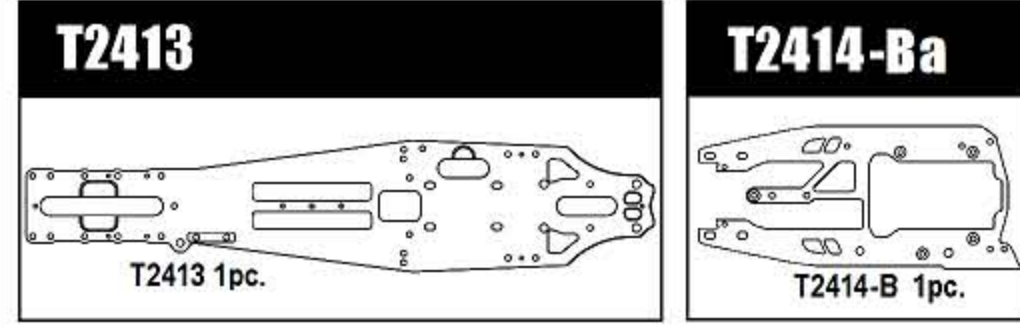
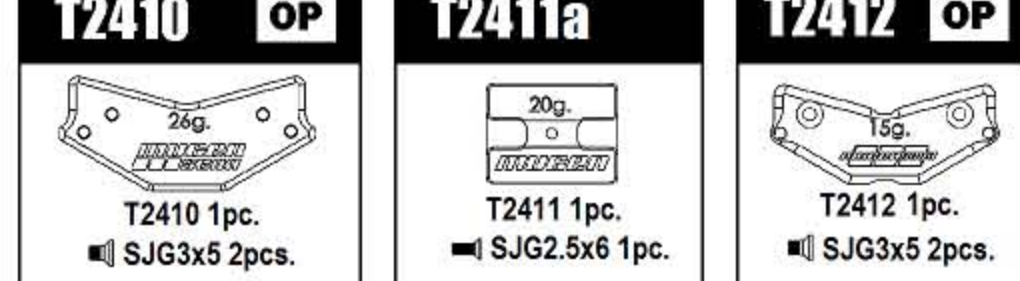
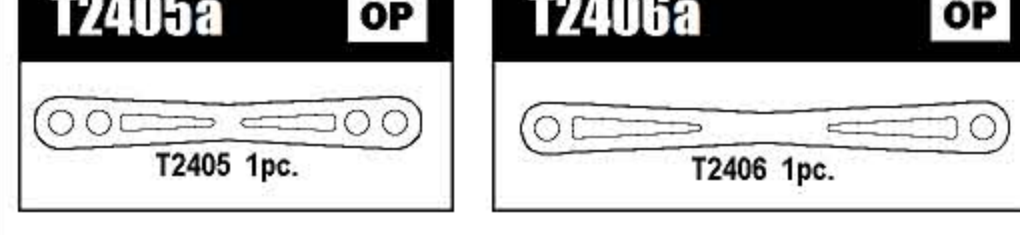
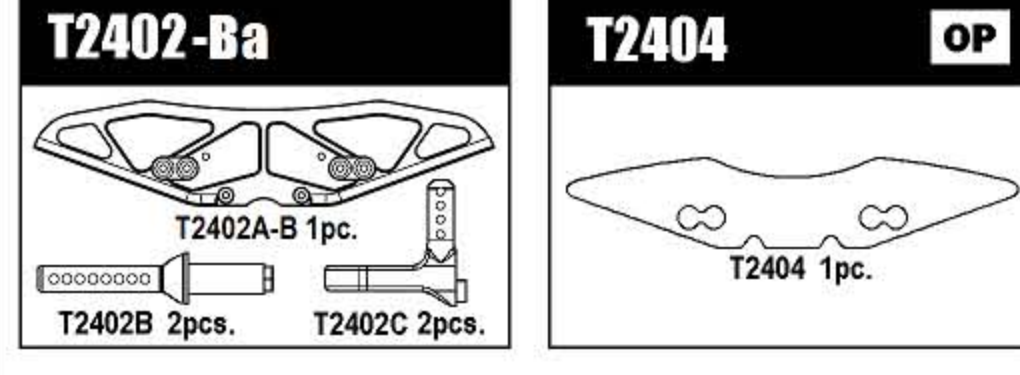
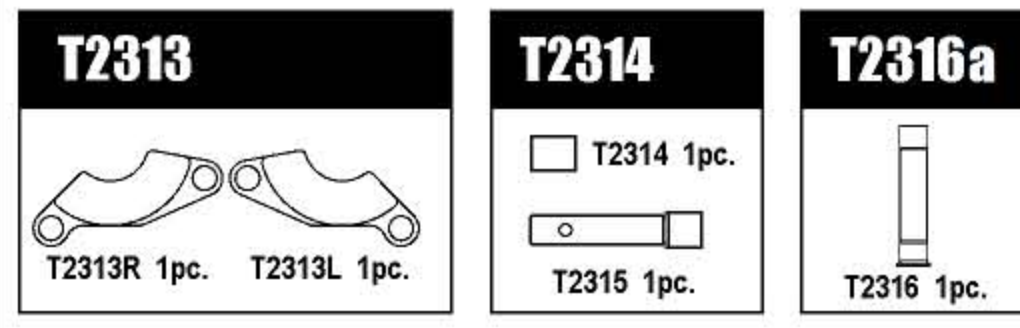
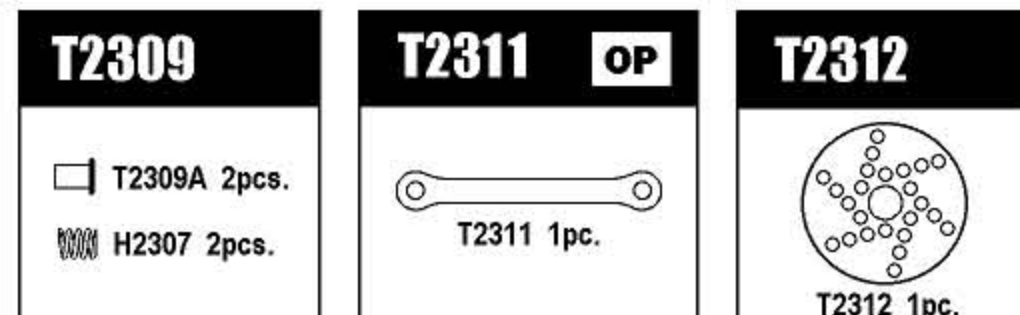
Not used in this kit.



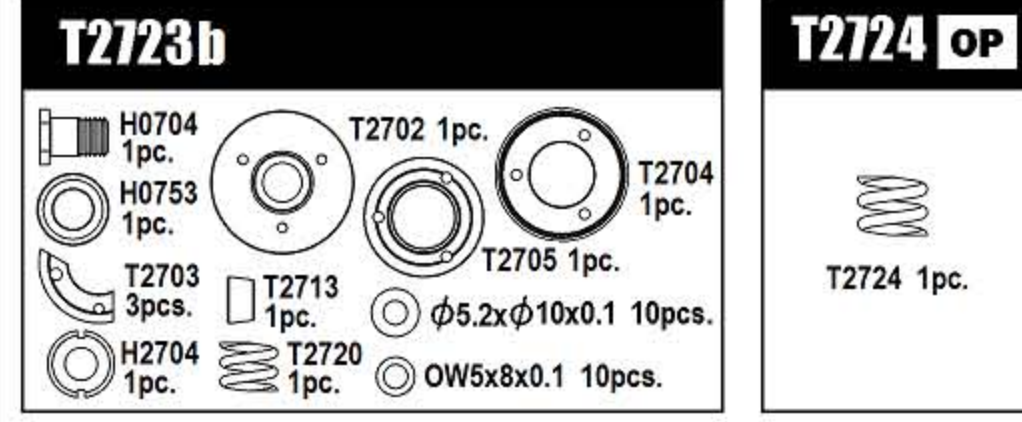
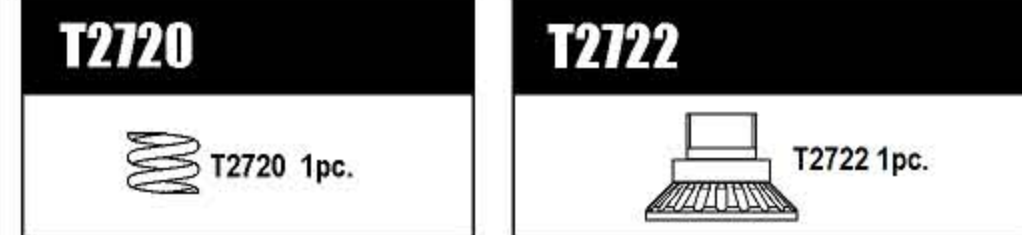
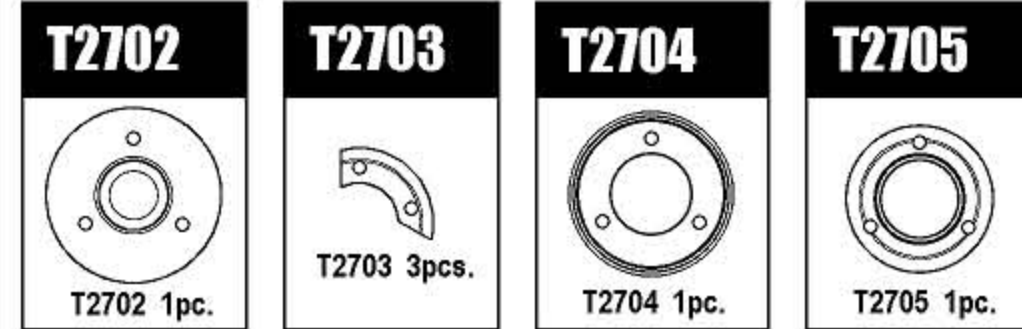
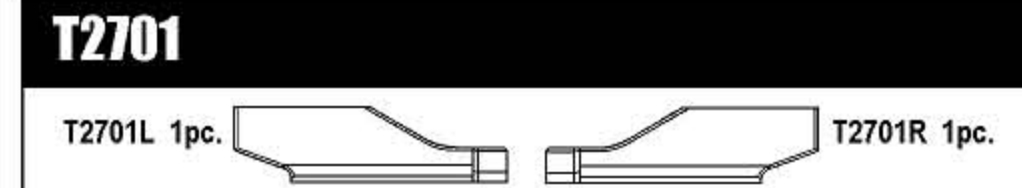
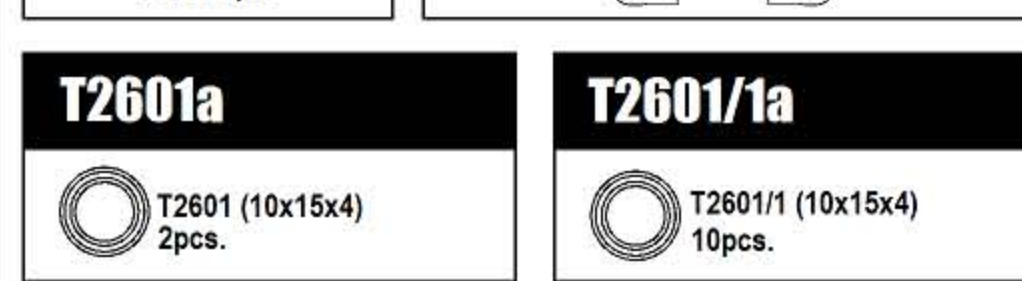
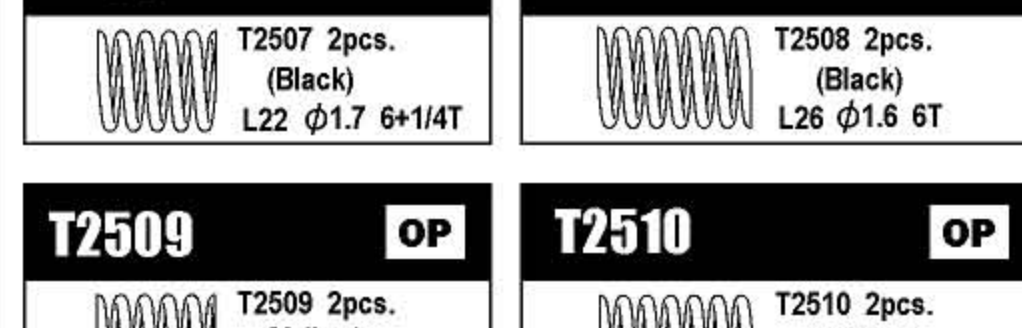
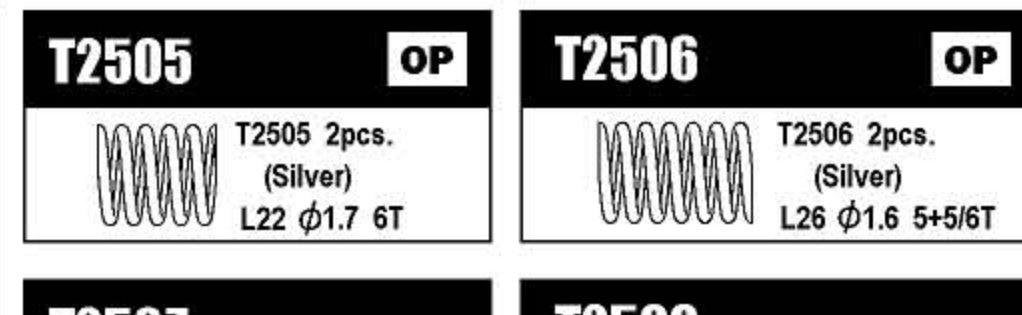
- T2157Aa FRONT UPPER ARM BRACKET
- T2157B FLAT NUT M3
- T2158a FRONT ANTI-ROLL BAR BALL
- T2159 KING PIN PIVOT BALL
- T2201-Da DIFFERENTIAL PARTS
- T2202a PULLEY SET
- T2203a DIFF. GEAR (PLASTIC) [OP]
- T2204 DIFF. PACKING
- T2205a DIFF. CROSS SHAFT
- T2206 DIFF. CUP JOINT
- T2206B OUTDRIVE REAR DIFFERENTIAL
- T2207 MIDDLE SHAFT
- T2208 2 SPEED SHAFT
- T2210 BELT TENSIONER
- T2211 2 SPEED ADAPTER
- T2212a 2 SPEED CLUTCH SHOE
- T2213 1st. GEAR HOUSING
- T2214 2nd. GEAR HOUSING
- T2223 AXLE SHAFT
- T2224 SPRING SET FOR 2 SPEED GEAR BOX
- T2225 $\phi 2 \times 11.8$ PIN
- T2226 DIFF. GEAR WASHER
- T2227a DIFF. GEAR (STEEL)



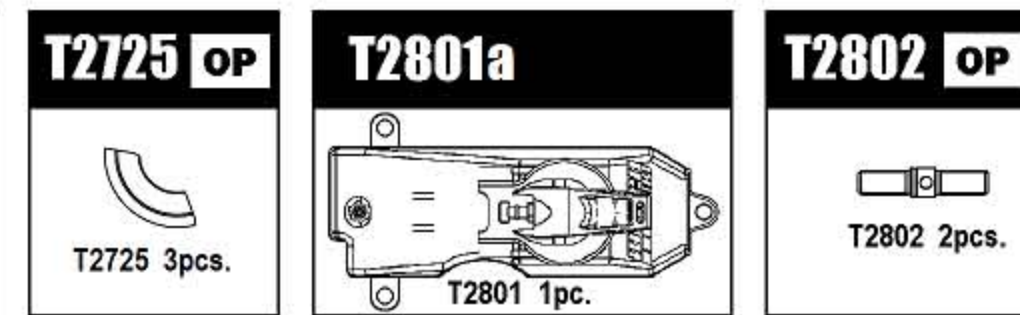
- T2228 DIFF. CROSS SHAFT (STEEL) [OP]
- T2229 $\phi 3 \times 9.8$ PIN
- T2230a 1st. SPUR GEAR 52T [OP]
- T2231a 1st. SPUR GEAR 53T
- T2232a 1st. SPUR GEAR 54T [OP]
- A2234 S5 SOFT O-RINGS (RED50°) [OP]
- T2236 BELT TENSIONER
- T2237 PULLEY ADAPTER
- T2238a 2nd. SPUR GEAR 47T [OP]
- T2239a 2nd. SPUR GEAR 48T
- T2240a 2nd. SPUR GEAR 49T [OP]
- T2241a AL. AXLE SHAFT [OP]
- T2242 ADJUSTABLE FRONT ONEWAY [OP]
- T2245 OUTDRIVE ADJUSTABLE ONEWAY [OP]
- T2303-Ca SERVO SAVER PARTS
- T2306-Ba SERVO SAVER UPPER MOUNT /ARB MOUNT
- T2308-Ba RC MODULE



- T2309 BRAKE PAD SHAFT
- T2311 RADIO BRACE [OP]
- T2312 BRAKE DISK
- T2313 BRAKE PAD
- T2314 BRAKE CAM & PISTON
- T2316a SERVO SAVER SHAFT
- T2317a SERVO SAVER TUBE
- T2318a SERVO SAVER UPPER PART
- T2319a SERVO SAVER LOWER PART
- T2402-Ba FRONT BUMPER & BODY MOUNT
- T2404 FOAM BUMPER [OP]
- T2405a FRONT BODY BRACE [OP]
- T2406a REAR BODY BRACE [OP]
- T2410 FRONT WEIGHT 26g [OP]
- T2411a CENTER WEIGHT 20g
- T2412 FRONT WEIGHT 15g [OP]
- T2413 CHASSIS MTX7
- T2414-Ba RADIO TRAY MTX7



- T2505 FRONT SHOCK SPRING (SILVER) [OP]
- T2506 REAR SHOCK SPRING (SILVER) [OP]
- T2507 FRONT SHOCK SPRING (BLACK)
- T2508 REAR SHOCK SPRING (BLACK)
- T2509 FRONT SHOCK SPRING (YELLOW) [OP]
- T2510 REAR SHOCK SPRING (YELLOW) [OP]
- T2511a FRONT SHOCK TOWER (LOW)
- T2512a REAR SHOCK TOWER
- T2601a L.F. BEARINGS (10x15x4) 2pcs. [OP]
- T2601/1a L.F. BEARINGS (10x15x4) 10pcs. [OP]
- T2701 ENGINE MOUNT
- T2702 FLYWHEEL
- T2703 CENTRIFUGAL SHOE
- T2704 PRESSURE PLATE
- T2705 CLUTCH SHOE
- T2707 THRUST BEARING STOPPER
- T2708a 1st. PINION GEAR (14T) [OP]
- T2709a 1st. PINION GEAR (15T)
- T2713 TAPER CONE
- T2717a 2nd. PINION GEAR (19T) [OP]
- T2718a 2nd. PINION GEAR (20T)
- T2719a 2nd. PINION GEAR (21T) [OP]
- T2720 CLUTCH SPRING
- T2722 AL. CLUTCH BELL
- T2723b CLUTCH SET
- T2724 CLUTCH SPRING TG [OP]



- T2725 CENTRIFUGAL SHOE TG [OP]
- T2801a FUEL TANK
- T2802 TURN BUCKLE M4 [OP]
- T2803a UNIBALL 1
- T2804L-B BALL LINK SET (LONG)
- T2804S-B BALL LINK SET (SHORT)
- T2805a AL. PIVOT BALL $\phi 6$

P0402 12 LOGO STICKER
P0403 12 LOGO STICKER (METALLIC) [OP]

株式会社 無限精機 〒274-0817 千葉県船橋市高根町1395
MUGEN SEIKI CO.,LTD.
1395 Takane-Cho, Funabashi, Chiba 274-0817, Japan
表示価格には消費税が含まれていません。