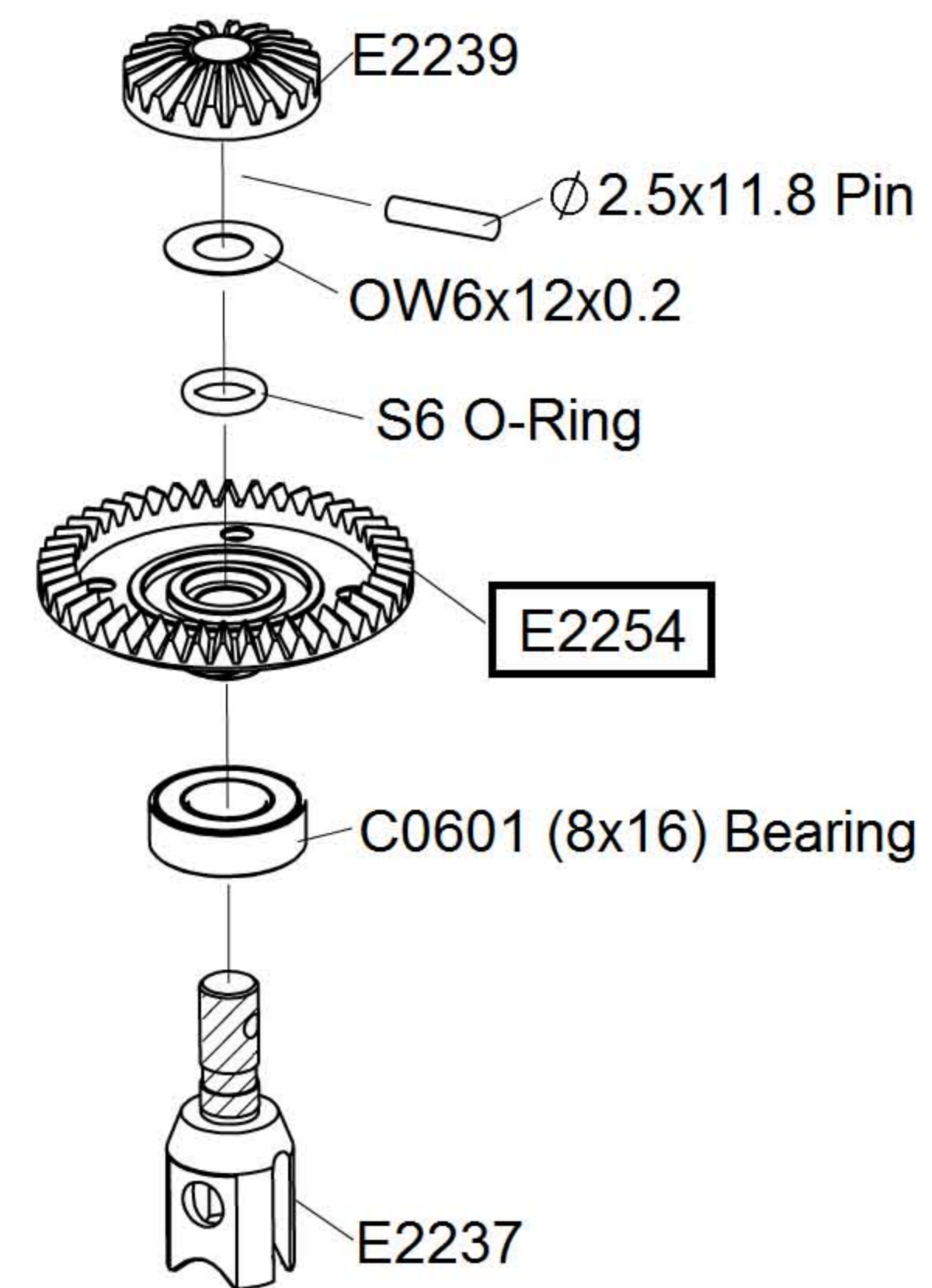


E2025 MBX8 Worlds Edition Additional Instruction Manual

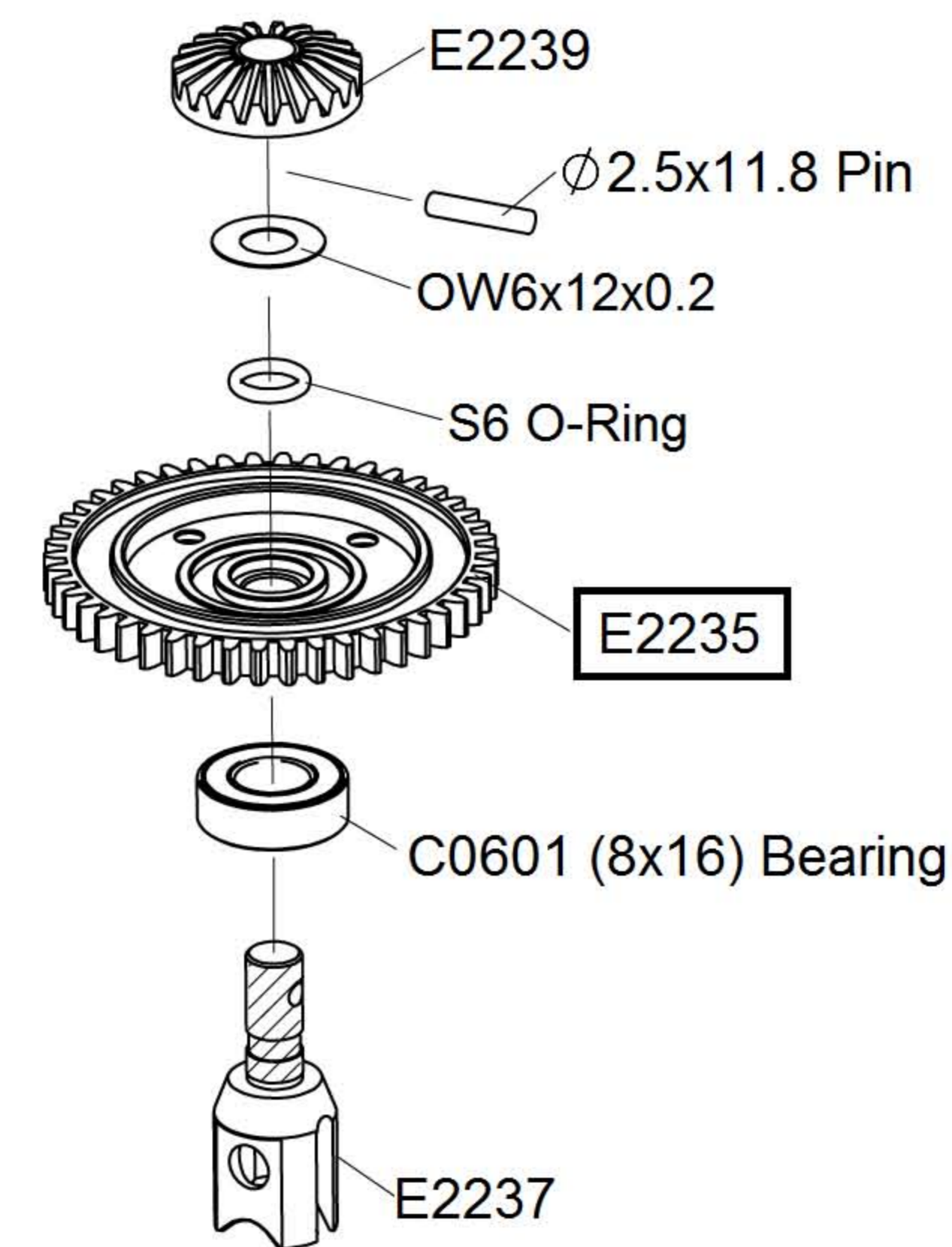
The parts shown by of assembly drawing have been changed.

組立図の で表記された部品を交換又は取付けます。

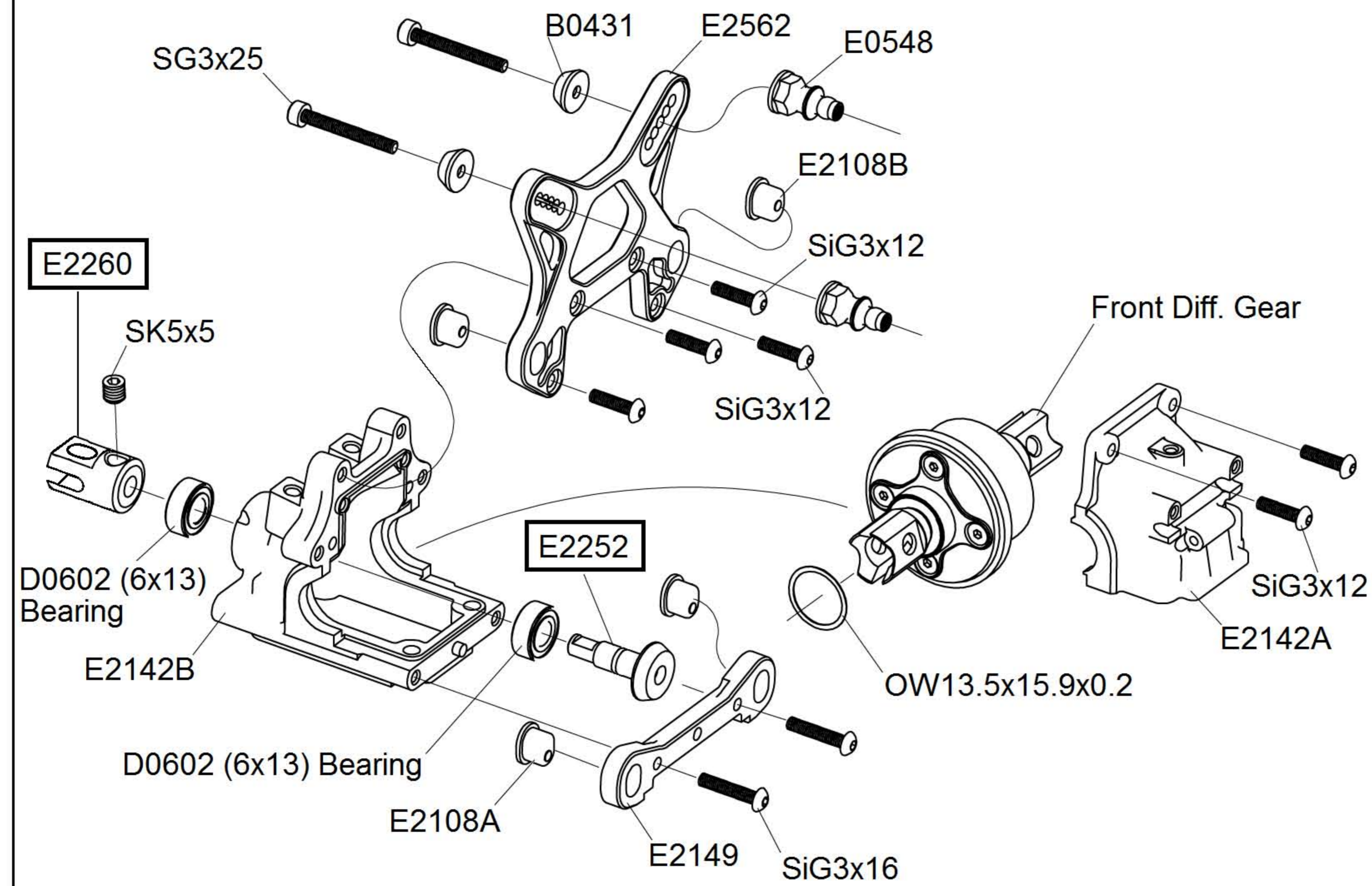
1. Front / Rear Diff. Gear



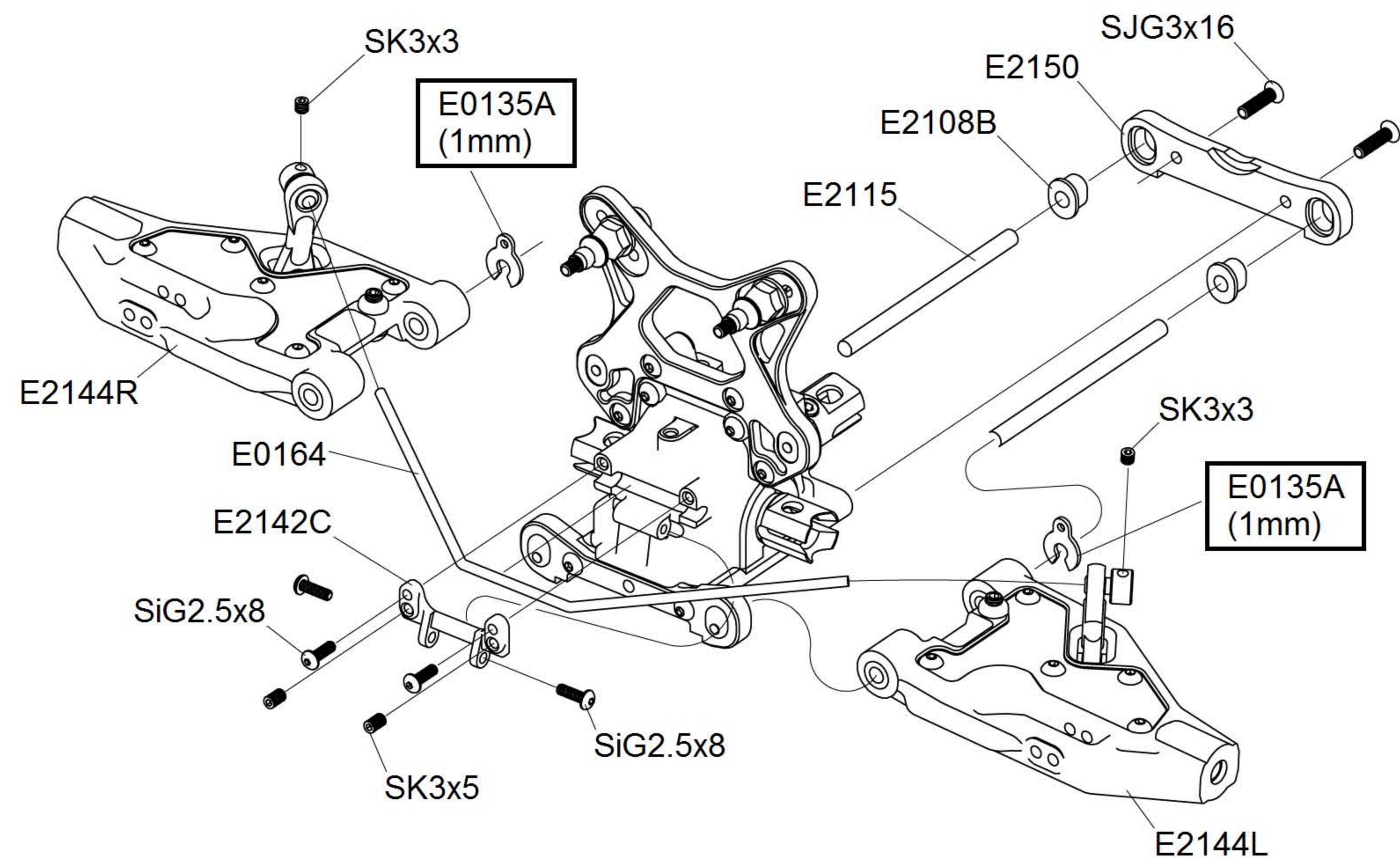
2. Center Diff. Gear



3. Front Gear Box

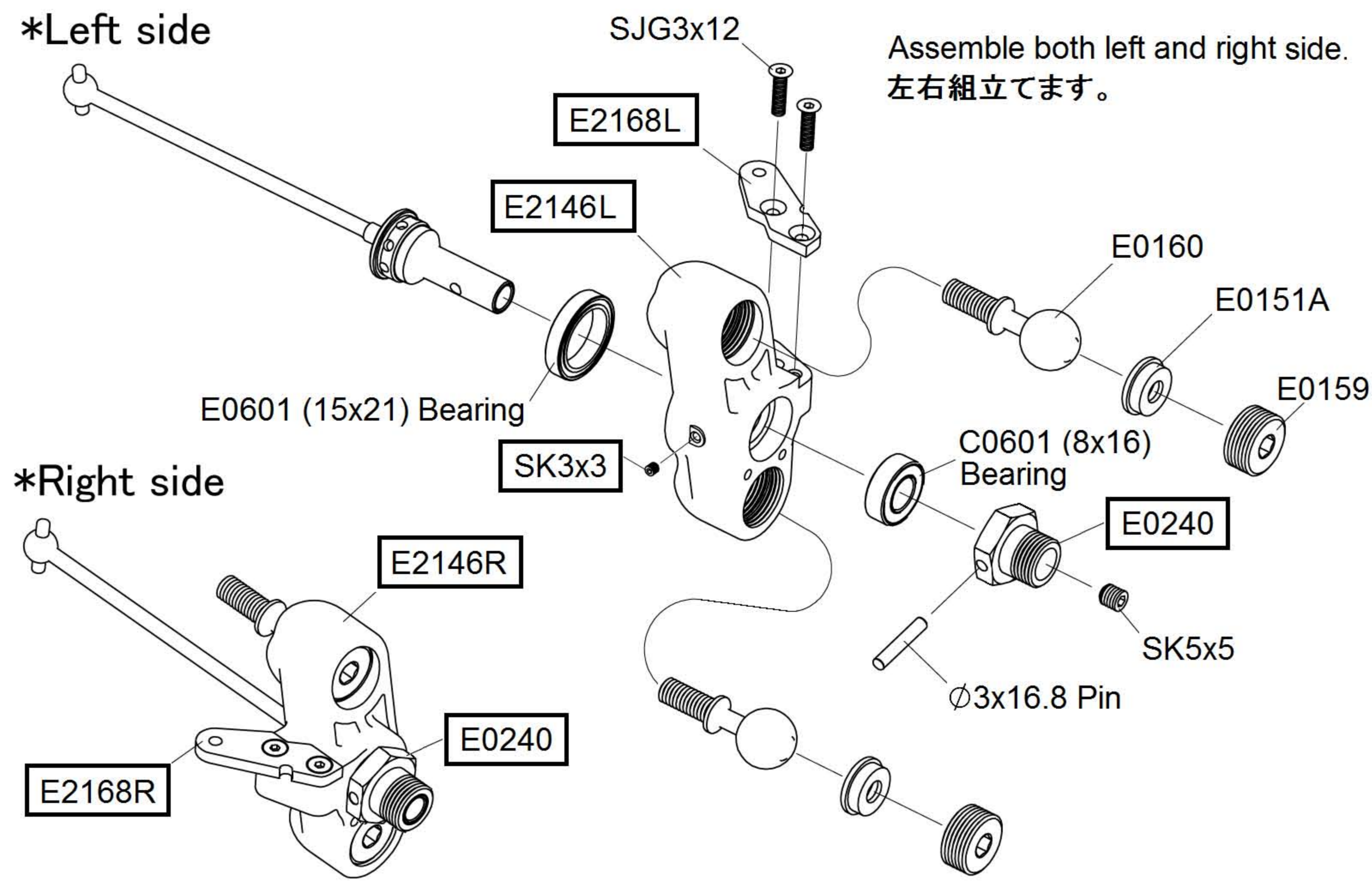


4. Front Lower Arm

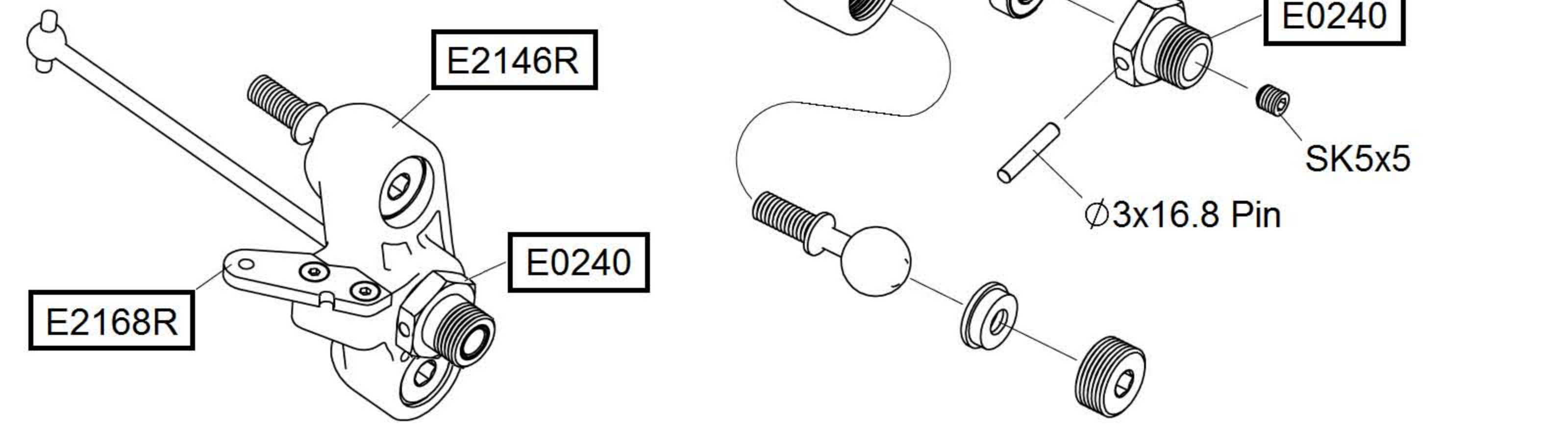


6. Front Upright

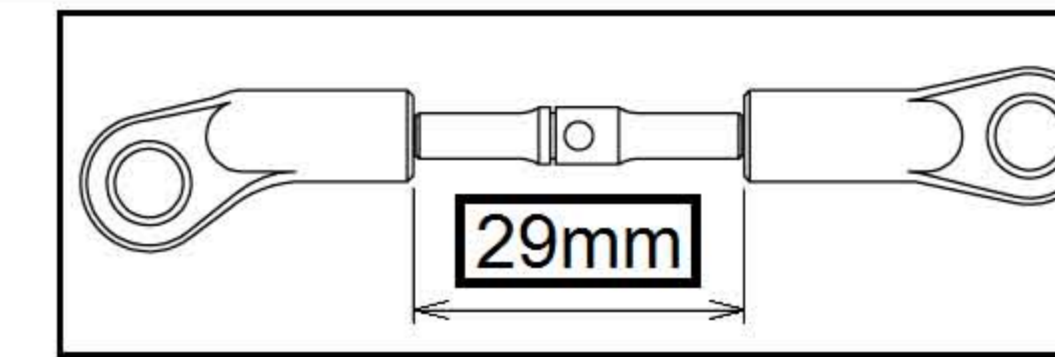
*Left side



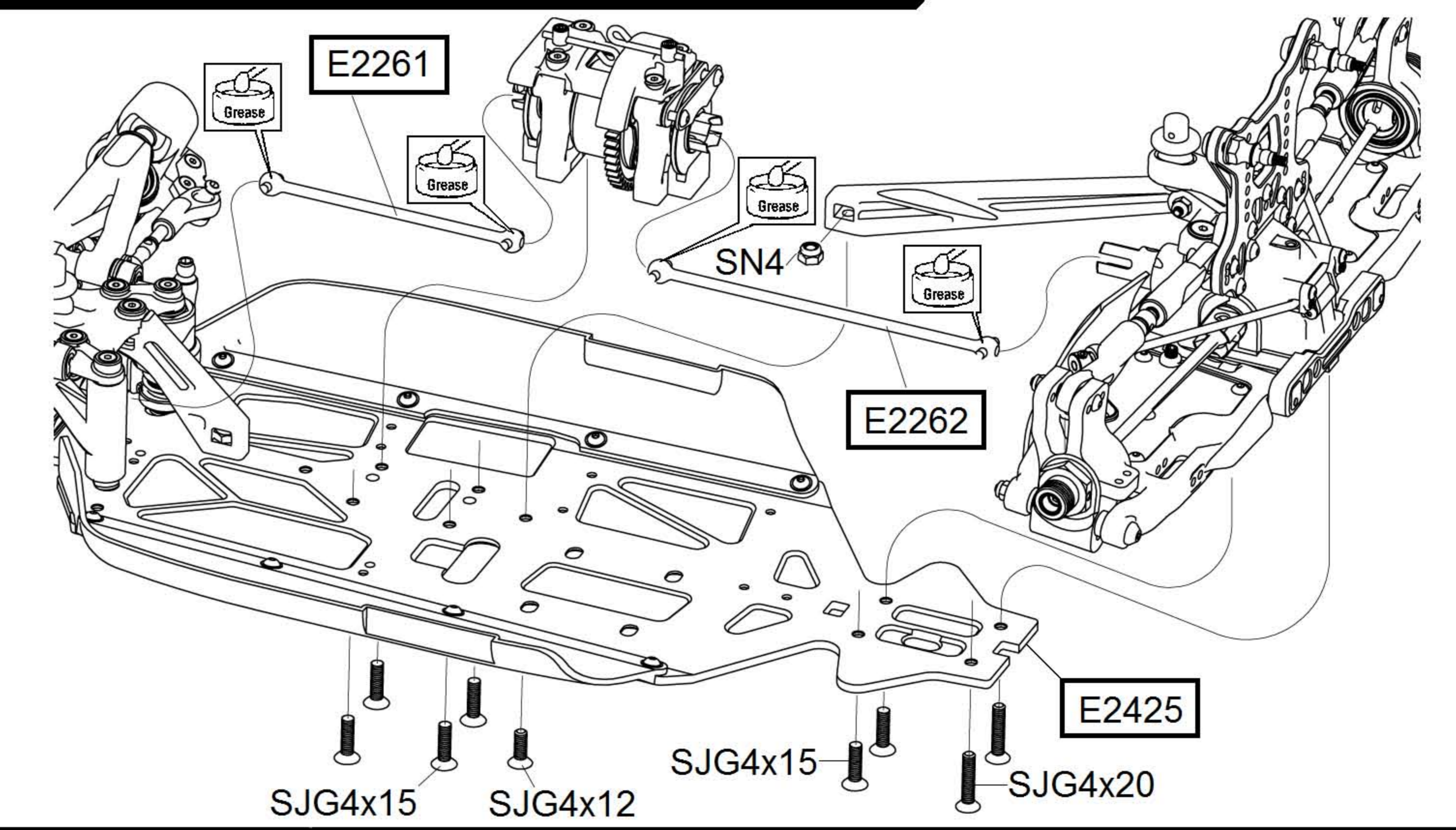
*Right side



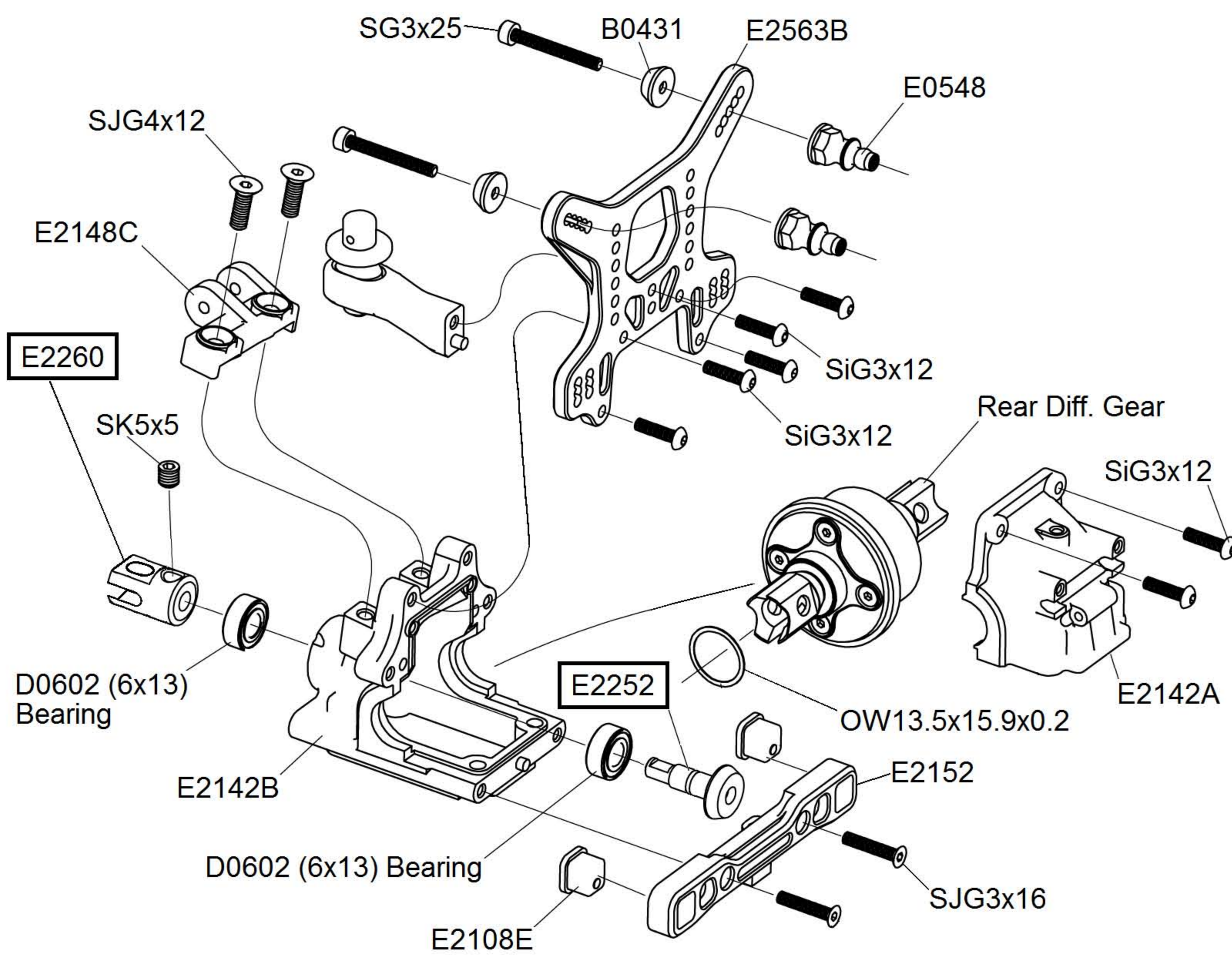
11. Servo Saver



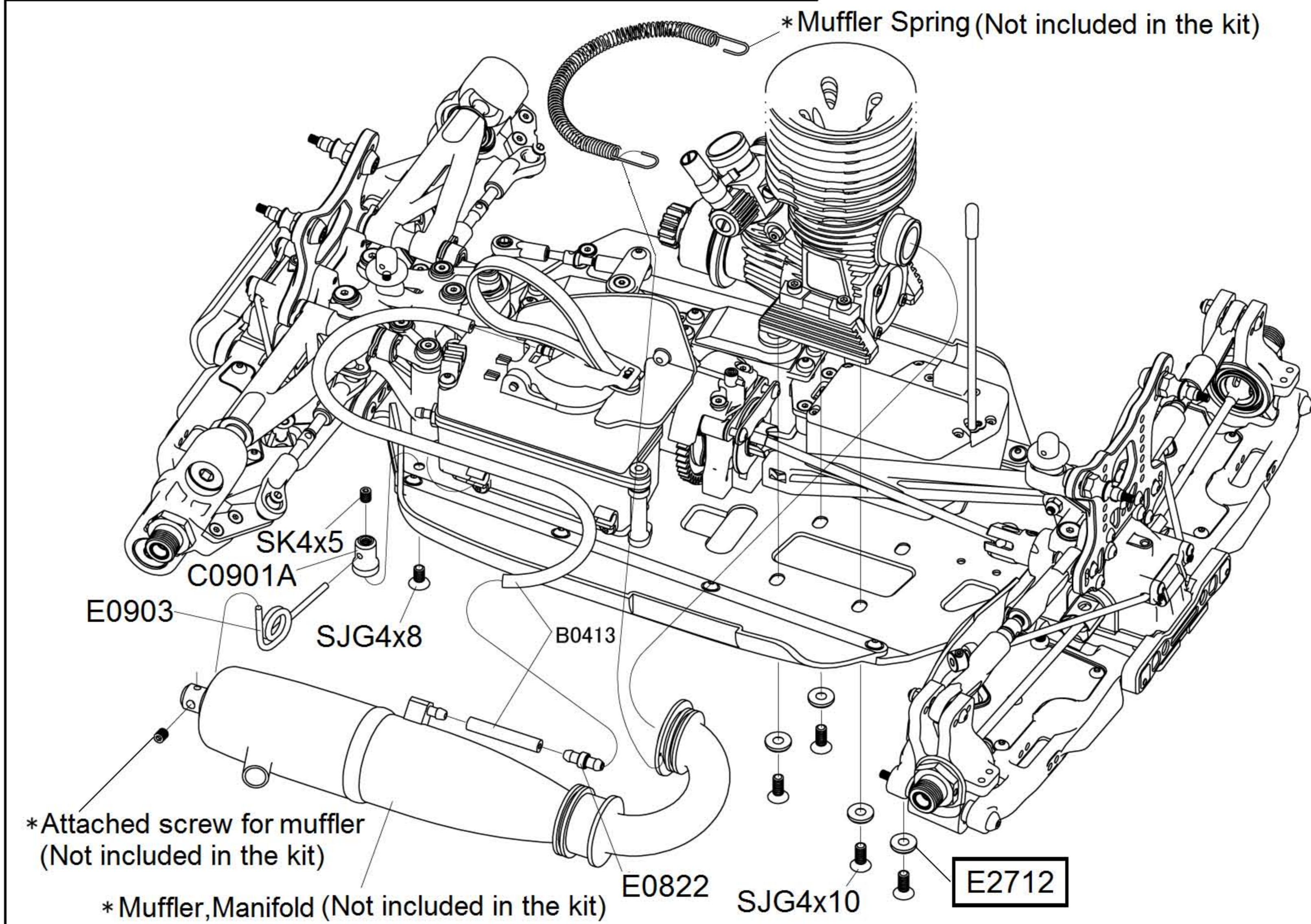
12. Chassis



7. Rear Gear Box

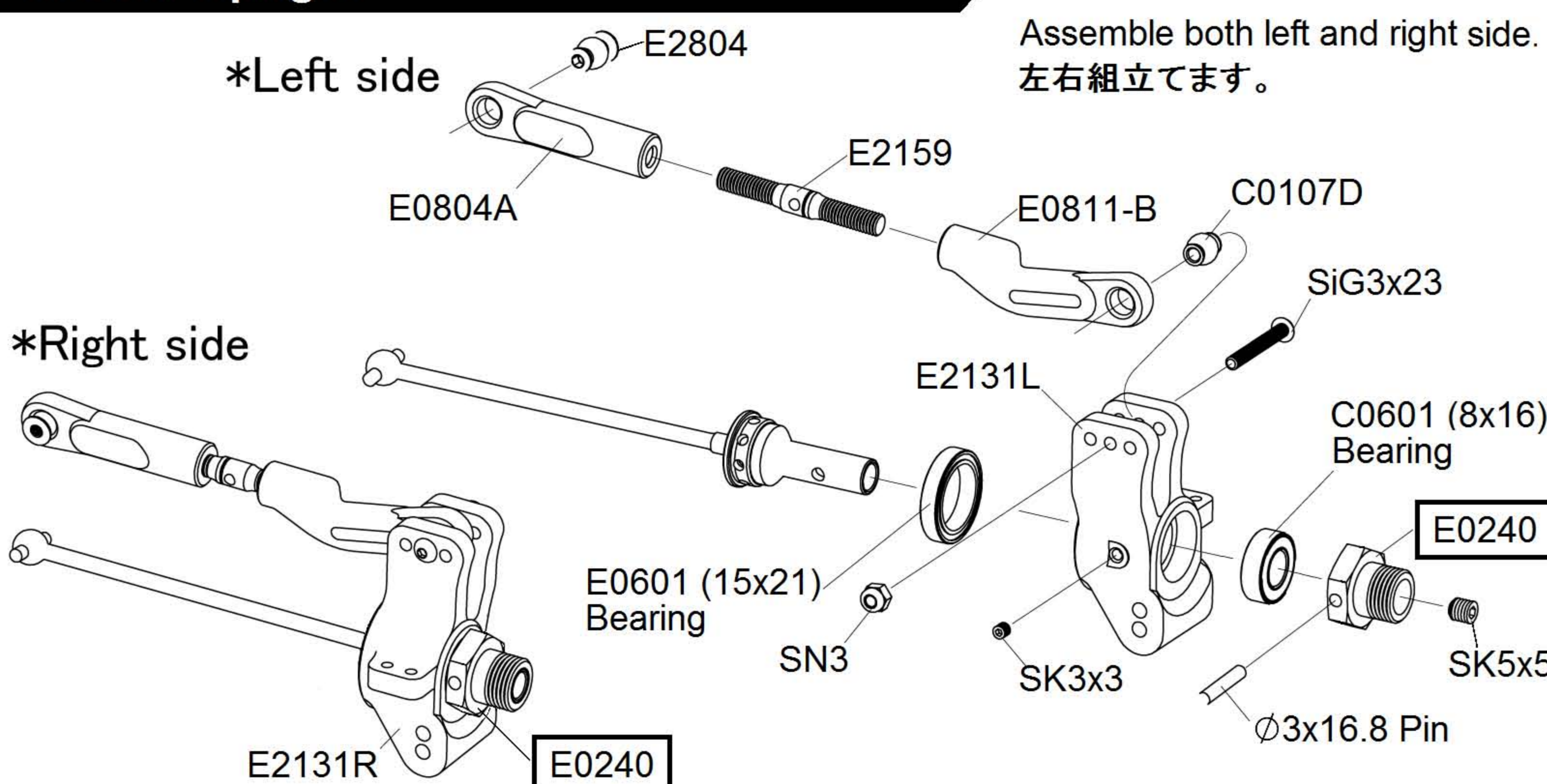


15. Engine

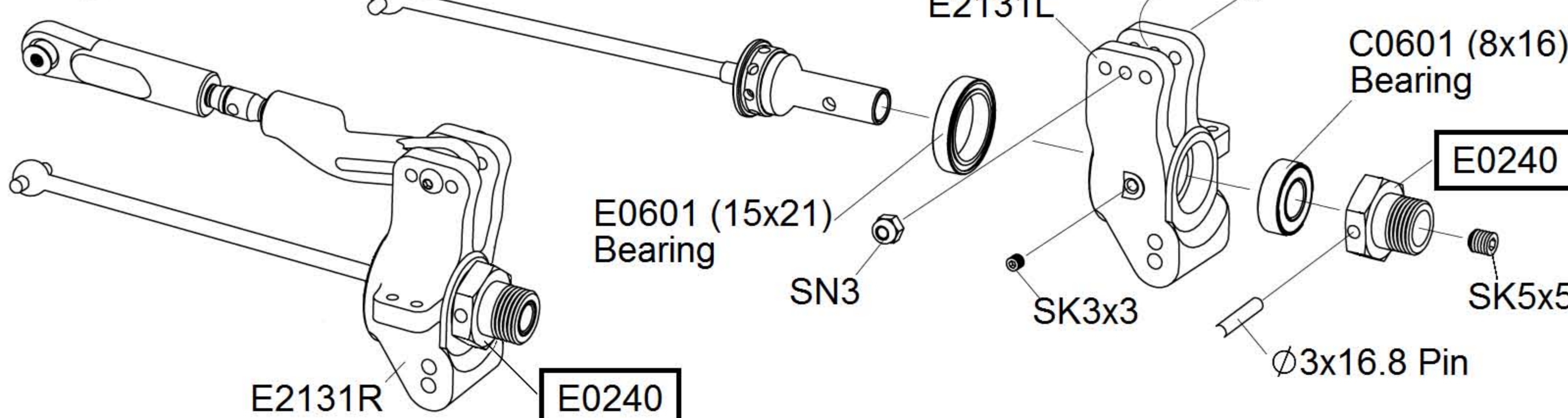


9. Rear Upright

*Left side



*Right side



24. Wing

