

SETUPSHEET

VER:1002-1 **MTC2R**

NAME: Matrix (Asphalt) DATE: _____

TRACK: _____ RACE: _____

TRACK SURFACE: CARPET ASPHALT

LAYOUT: TECHNICAL MIXED FAST

TRACTION: LOW MEDIUM HIGH

ELECTRONICS

SERVO: _____ ESC: _____

BATTERY: _____ MOTOR/TIMING: _____

NOTES: _____

TIRES

BRAND/TYPE F/R: Matrix 28

ADDITIVE F/R: _____

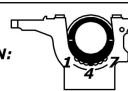
ADDITIVE TIMING F/R: _____

WARMER° F/R: _____

TRANSMISSION

PINION: _____ SPUR: A2248D(Alu):

DIFF OIL CST: 6000 OIL WEIGHT (qty.): 1,6g

BELT TENSION:  FRONT: 1 2 3 4 5 6 7 REAR: 1 2 3 4 5 6 7

FRONT:	SHOCK 'S	REAR:
Std.	SHOCK CASE:	Std.
Std.	PISTON:	Std.
#400	OIL:	#400
6,75	SPRING:	6,5
9,5	LENGTH:	9,5
FRONT:	ANTI ROLL BAR	REAR:
1,1		1,1

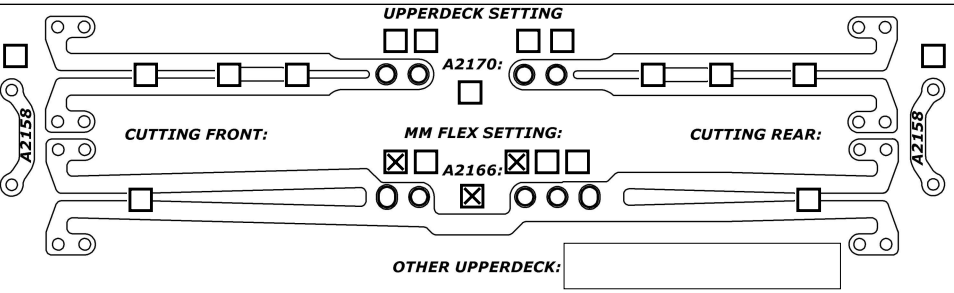
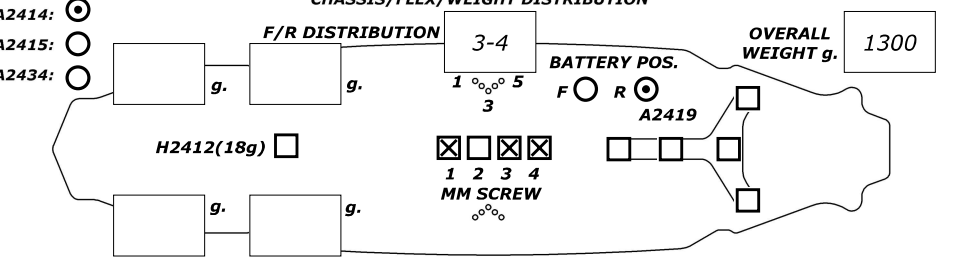
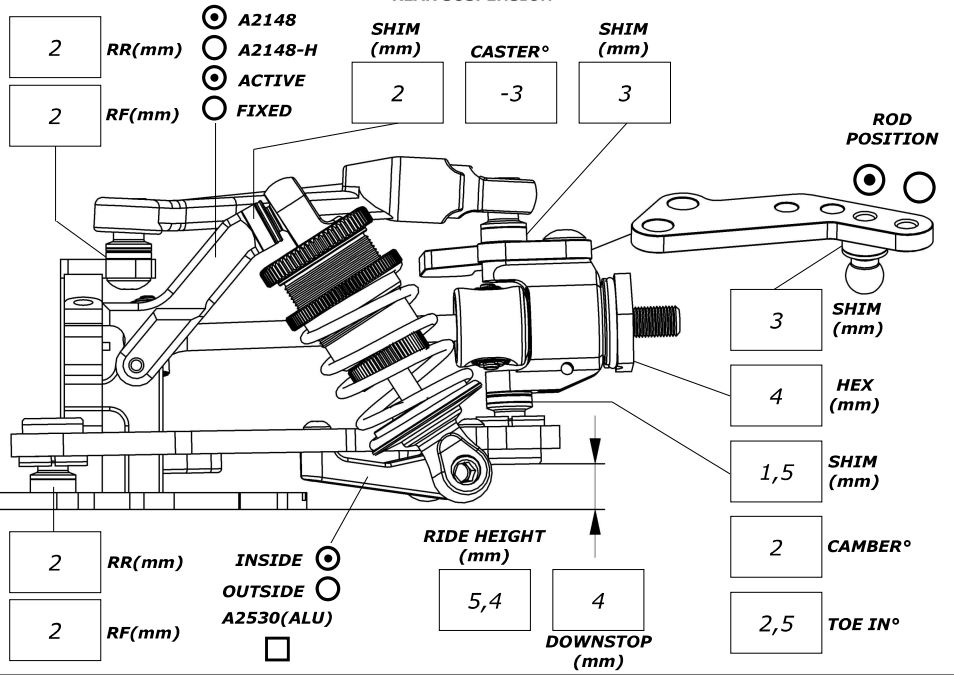
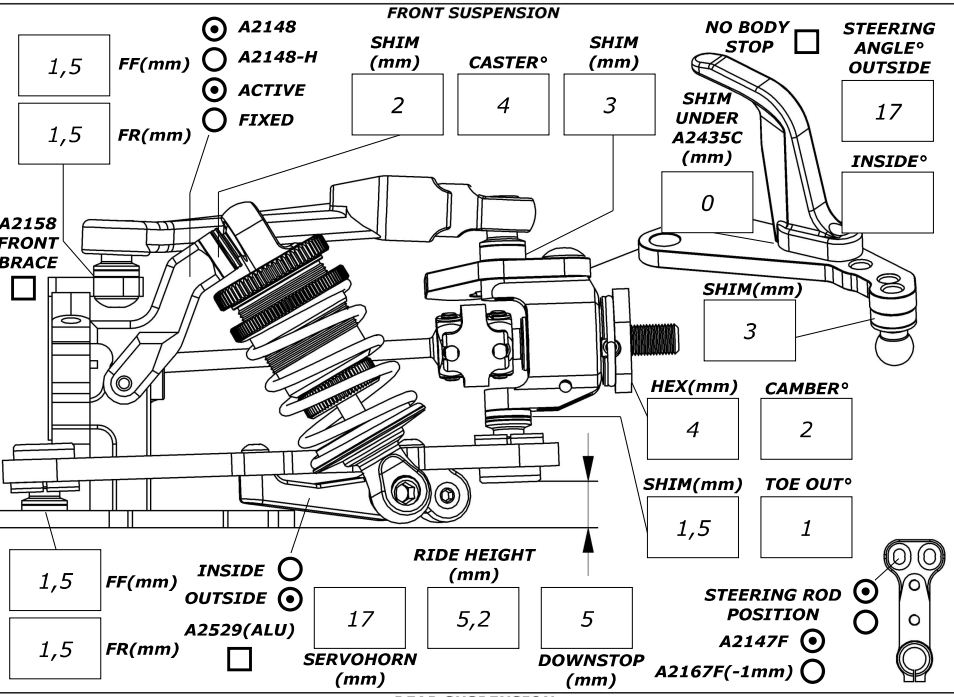
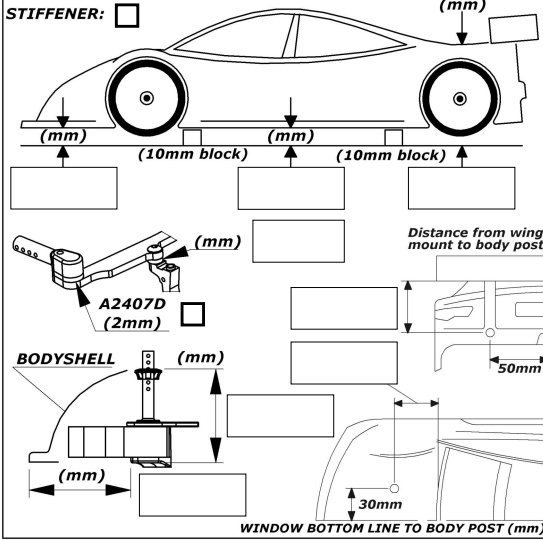
OPTIONAL WEIGHT

A2423 A2424 A2425 A2704 A2705

BODYSHELL

TYPE: _____ WING TYPE: _____

WING POS: _____ OVERALL WEIGHT: _____



COMMENTS: _____