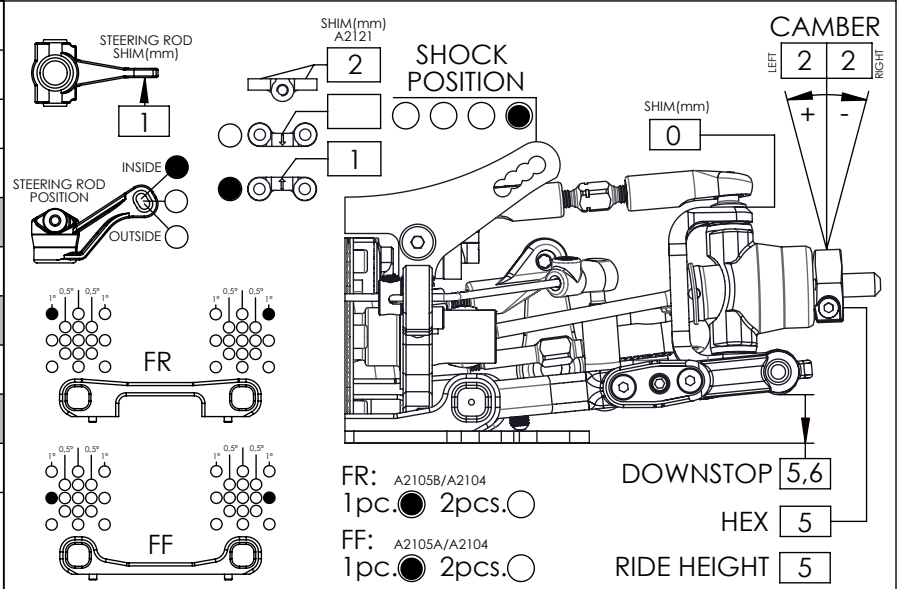
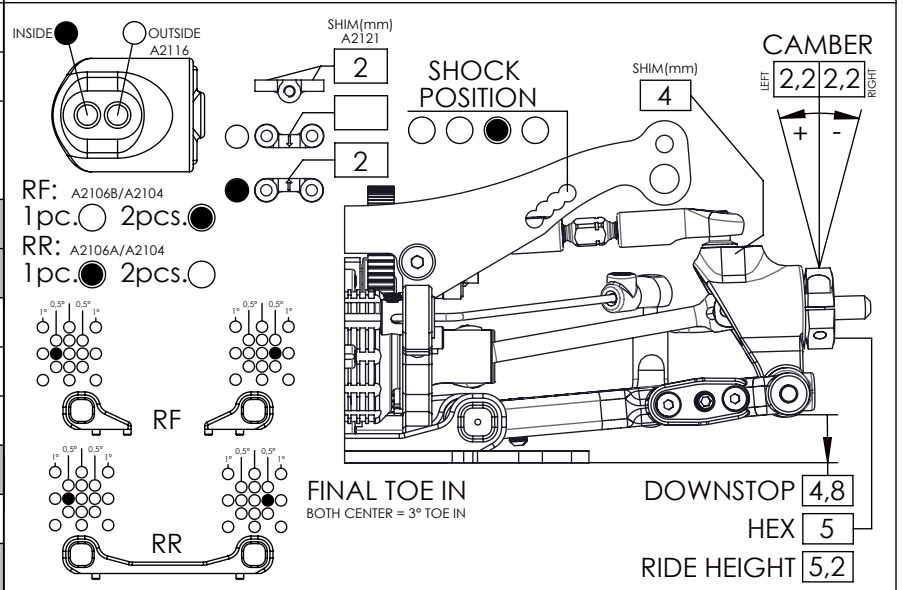


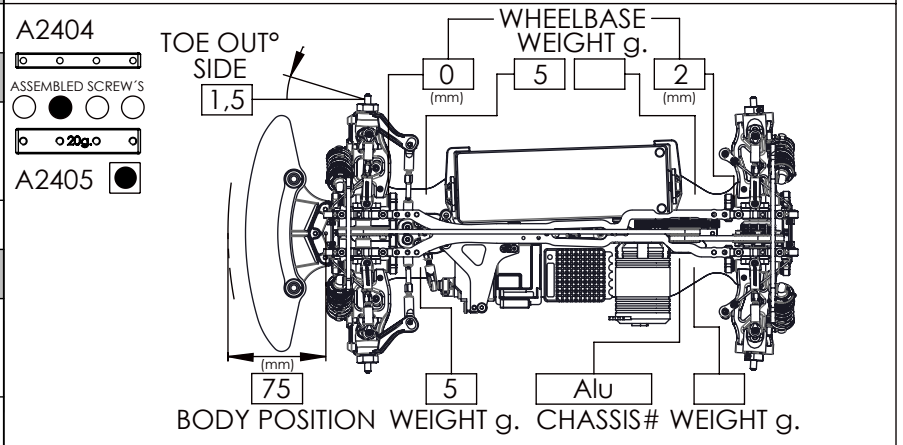
DATE	27.09.2018	
DRIVER	Robert Pietsch	
TRACK	Reedy race EU	
CARPET	<input checked="" type="checkbox"/> ASPHALT <input type="checkbox"/>	
TRACTION		
LOW	MEDIUM <input checked="" type="checkbox"/>	HIGH <input type="checkbox"/>
LAYOUT		
SLOW	MIXED <input checked="" type="checkbox"/>	FAST <input type="checkbox"/>
ELECTRIC'S		
STEERING SERVO	TYPE	SETTINGS
ESC	TYPE	SETTINGS
ENGINE	TYPE	SETTINGS
TYRES/ADDITIVE	TYPE	TYPE



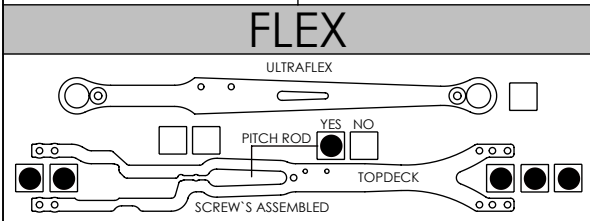
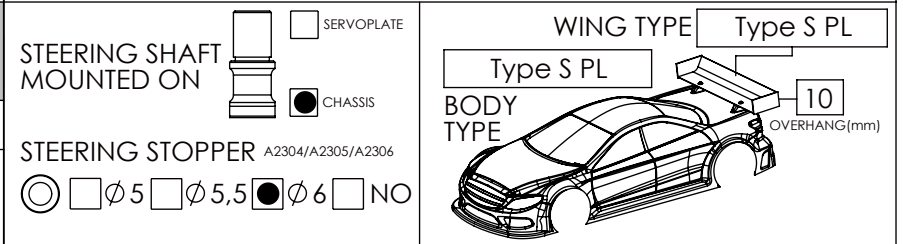
FRONT FULL <input checked="" type="checkbox"/>	REAR FULL <input checked="" type="checkbox"/>		
MIN. 10	MIN. 10		
SHOCK ABSORBERS			
FRONT	REAR		
PISTON kit	PISTON kit		
OIL 400	OIL 500		
SPRING xray 2,8	SPRING xray 2,8		
ANTI ROLL BAR FRONT			
1,2 <input type="checkbox"/>	1,3 <input checked="" type="checkbox"/>	1,4 <input type="checkbox"/>	1,5 <input type="checkbox"/>
ANTI ROLL BAR REAR			
1,1 <input type="checkbox"/>	1,2 <input type="checkbox"/>	1,3 <input checked="" type="checkbox"/>	1,4 <input type="checkbox"/>
SERVO SAVER POSITION			
FORWARD <input type="checkbox"/>	REARWARD <input checked="" type="checkbox"/>		
PINION	SPUR		
DIFF	SPOOL		
HIGH <input checked="" type="checkbox"/>	HIGH <input checked="" type="checkbox"/>		
LOW <input type="checkbox"/>	LOW <input type="checkbox"/>		
DIFF OIL CST	3000K 1,3g.		



TOE OUT SIDE <input type="checkbox"/>	TOE IN <input checked="" type="checkbox"/>		
ASSEMBLED SCREW'S	A2405 <input checked="" type="checkbox"/>		
WHEELBASE WEIGHT g.	0 (mm)	5 (mm)	2 (mm)
BODY POSITION WEIGHT g.	75 (mm)	5	Alu
CHASSIS# WEIGHT g.			



SHOCK POSITION LOWER ARM	
PART#	FRONT kit
HOLE POSITION BALL LINK INSIDE <input type="checkbox"/>	HOLE POSITION BALL LINK INSIDE <input type="checkbox"/>
OUTSIDE <input checked="" type="checkbox"/>	OUTSIDE <input checked="" type="checkbox"/>
FLEX	
ULTRAFLEX	PITCH ROD YES <input checked="" type="checkbox"/> NO <input type="checkbox"/>
TOPDECK	SCREW'S ASSEMBLED



NOTES: