

DRIVER	
DATE	
TRACK	

TRACTION

LOW <input type="checkbox"/>	MEDIUM <input checked="" type="checkbox"/>	HIGH <input type="checkbox"/>
------------------------------	--	-------------------------------

LAYOUT

SLOW <input type="checkbox"/>	MIXED <input checked="" type="checkbox"/>	FAST <input type="checkbox"/>
-------------------------------	---	-------------------------------

ENGINE

TYPE	
GLOW PLUG/FUEL PIPE/MANIFOLD	

CLUTCH SETTINGS

SHOE#/BELL#	kit	kit
CLEARANCE(mm) / AXIALPLAY(mm)	0,6	0,1-0,2
SPRING#/TENSION(mm)	kit	0,1-0,2

TYRES

CONTROLLED

FRONT BRAND REAR

LEFT	RIGHT		LEFT	RIGHT
32	32	SHORE	35	35
69	69	DIAMETER START	76	76
		DIAMETER 5min		

SHOCK ABSORBERS

FRONT REAR

PISTON	kit	PISTON	kit
OIL	kit	OIL	kit
SPRING	kit	SPRING	kit

ANTI ROLL BAR FRONT

2,2 <input type="checkbox"/>	2,3 <input checked="" type="checkbox"/>	2,4 <input type="checkbox"/>	2,5 <input type="checkbox"/>
------------------------------	---	------------------------------	------------------------------

ANTI ROLL BAR REAR

2,8 <input type="checkbox"/>	2,9 <input checked="" type="checkbox"/>	3,0 <input type="checkbox"/>
------------------------------	---	------------------------------

SERVO SAVER POSITION

FORWARD <input type="checkbox"/>	REARWARD <input checked="" type="checkbox"/>
----------------------------------	--

PINION 1st

15T <input type="checkbox"/>	16T <input checked="" type="checkbox"/>
------------------------------	---

PINION 2nd

19T <input type="checkbox"/>	20T <input checked="" type="checkbox"/>
------------------------------	---

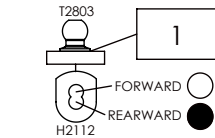
SPUR 1st

48T <input type="checkbox"/>	49T <input checked="" type="checkbox"/>	50T <input type="checkbox"/>
------------------------------	---	------------------------------

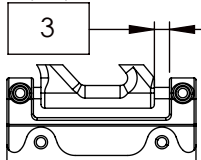
SPUR 2nd

45T <input type="checkbox"/>	46T <input checked="" type="checkbox"/>	47T <input type="checkbox"/>
------------------------------	---	------------------------------

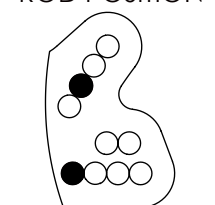
STEERING ROD POSITION



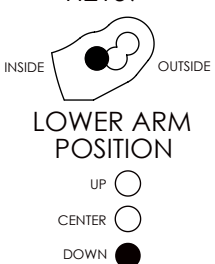
CASTER ANGLE (mm)



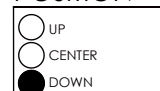
SHOCK/UPPER ROD POSITION



SHOCK POSITION H2159



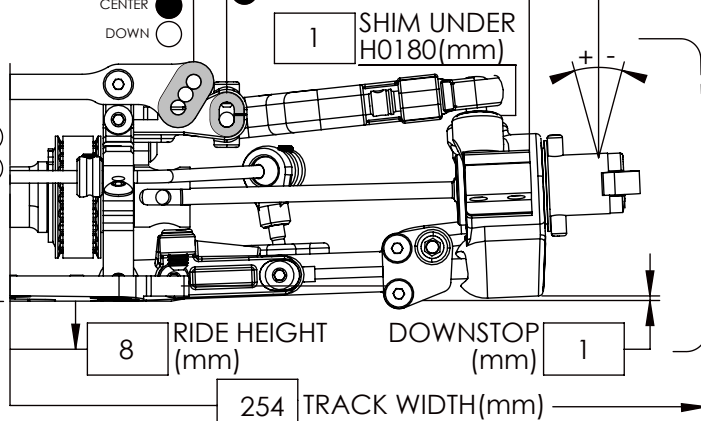
UPPER ARM POSITION



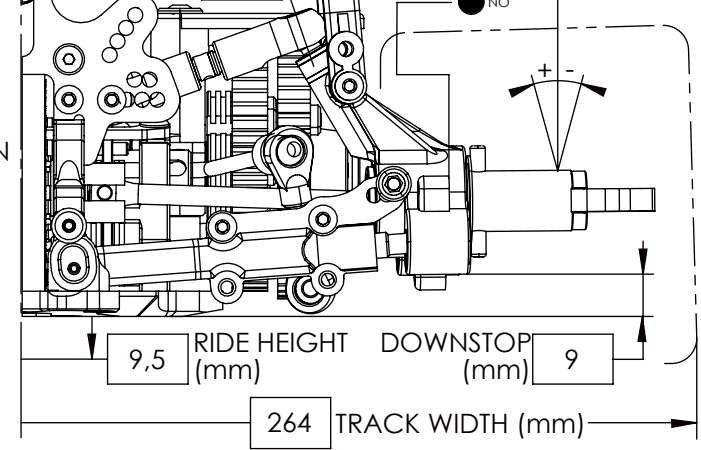
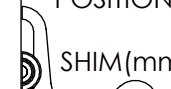
CAMBER	1,5	1,5
	LEFT	RIGHT

YES DISK
NO

SHOCK HOLE

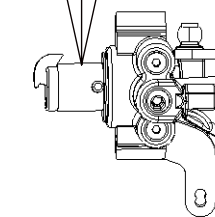


H0466G POSITION



FRONT TOE

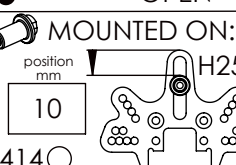
LEFT	RIGHT
1,5	1,5



RADIOPLATE FLEX

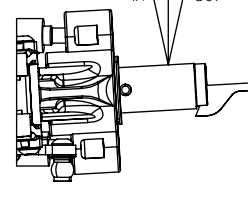
FIXED OPEN

H2415 MOUNTED ON:

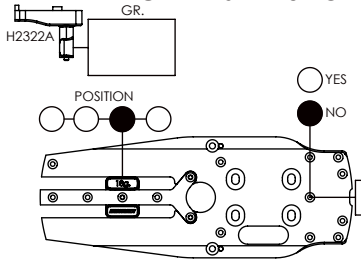


REAR TOE

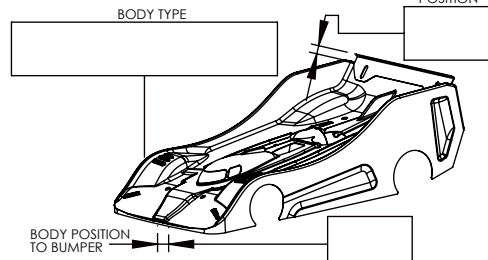
LEFT	RIGHT
2,5	2,5



WEIGHT DISTRIBUTION



AERO/SETTING



NOTES: