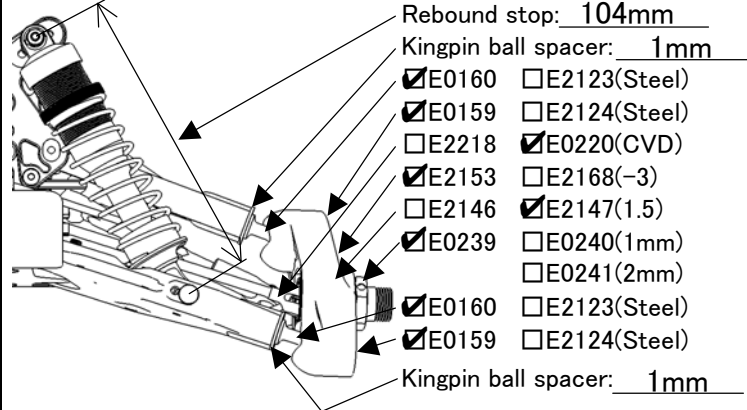


Name: E2021  
 Date: \_\_\_\_\_  
 Track: \_\_\_\_\_

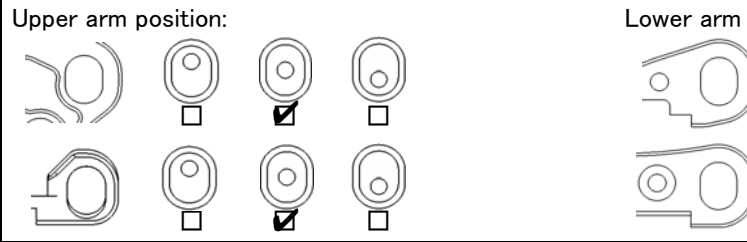
**Track conditions**  
 Size:  Open  Med.  Tight  
 Traction:  High  Med.  Low  
 Surface:  Smooth  Med.  Bumpy

**Result**  
 Race time / Lap: \_\_\_\_\_  
 Best lap (1Lap): \_\_\_\_\_

### Front suspension



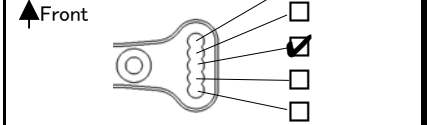
Ride height: 24mm  
 Toe angle: out  
 Lower arm plate:  
 E2144A,B  
 E2154(CFRP 1mm)  
 E2155(CFRP 1.2mm)  
 Anti roll bar: φ 2.3 (E0164)  
 Upper arm spacer: 2mm  
  
 Lower arm spacer: 0



### Front shocks

Piston: E2525 Oil: #550  
 Spring: φ 1.6L70-9.25 (E2516)  
 Shock position:  
  
 Pivot ball position:  Front  Rear  
 Damper stay:  E2562(Aluminum)  
 E2565(CFRP)

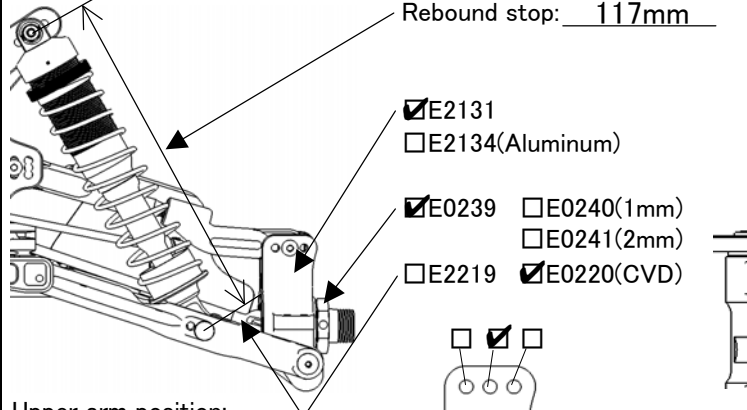
### Steering ackerman



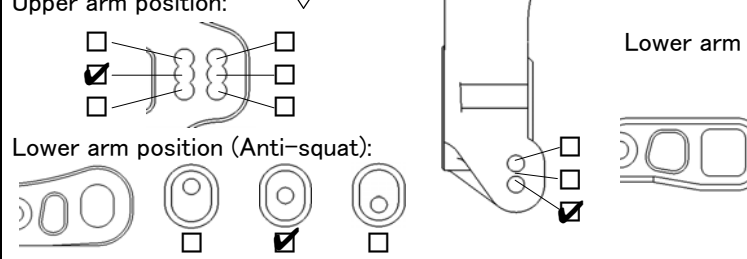
### Front upper plate

E2148D  E2158(CFRP)  
**Servo saver arm**  
 E2301A  E2310(Aluminum)

### Rear suspension



Ride height: 26mm  
 Camber angle: -3°  
 Lower arm plate:  
 E2145A,B  
 E2156(CFRP 1mm)  
 E2157(CFRP 1.2mm)  
 Anti roll bar: φ 2.7 (E0168)  
 Lower arm spacer: 0



### Rear shocks

Piston: E2525 Oil: #550  
 Spring: φ 1.6L86-10.75 (E0563)  
 Shock position:  
  
 Pivot ball position:  Front  Rear  
 Damper stay:  E2563(Aluminum)  
 E2566(CFRP)

### Center shaft

E2228,E2229  
 E0223,E0259(CVD)  E2261,E2262

### Tension rod

Front:  E2107A(Long)  E2107B(Short)  
 Rear:  E2148C  E0803(Rubber)

### Weight



### Engine

Type: \_\_\_\_\_ Plug: \_\_\_\_\_ Reducer: \_\_\_\_\_  
 Muffler: \_\_\_\_\_ Fuel: \_\_\_\_\_ Gasket: \_\_\_\_\_  
 Engine mount:  E0701(Standard)  E2713(One Piece)

### Diff. gear

		Oil
Front:	<input checked="" type="checkbox"/> 44/13T <input type="checkbox"/> 42/12T	#5,000
Rear:	<input checked="" type="checkbox"/> 44/13T <input type="checkbox"/> 42/12T	#2,000
Center:	<input type="checkbox"/> 44T <input type="checkbox"/> 46T	#5,000
	<input checked="" type="checkbox"/> 47T <input type="checkbox"/> 48T	

### Tires

	Front	Rear
Type:	_____	_____
Compound:	_____	_____
Inserts:	_____	_____
Wheel:	_____	_____

### Clutch

	Clutch bell:	Oil				
		φ 0.9	φ 0.95	φ 1.0	φ 1.05	φ 1.1
A	<input type="checkbox"/> C0754 <input type="checkbox"/> E0704 <input checked="" type="checkbox"/> E0710			<input checked="" type="checkbox"/>		
B	<input type="checkbox"/> C0754 <input type="checkbox"/> E0704 <input checked="" type="checkbox"/> E0710			<input checked="" type="checkbox"/>		
C	<input type="checkbox"/> C0754 <input type="checkbox"/> E0704 <input checked="" type="checkbox"/> E0710			<input checked="" type="checkbox"/>		

### Body/Wing

Body: Kit  
 Wing: Kit  
 Wing stay:  E2422A  E2428A(+15)  
 Wing position:

### Comments

.....  
 .....  
 .....