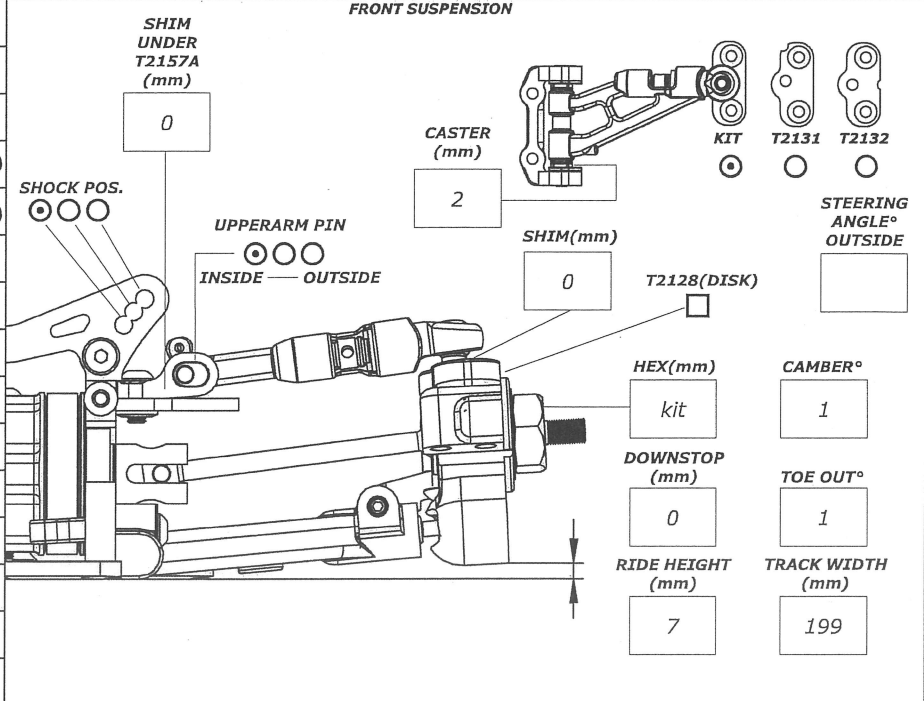
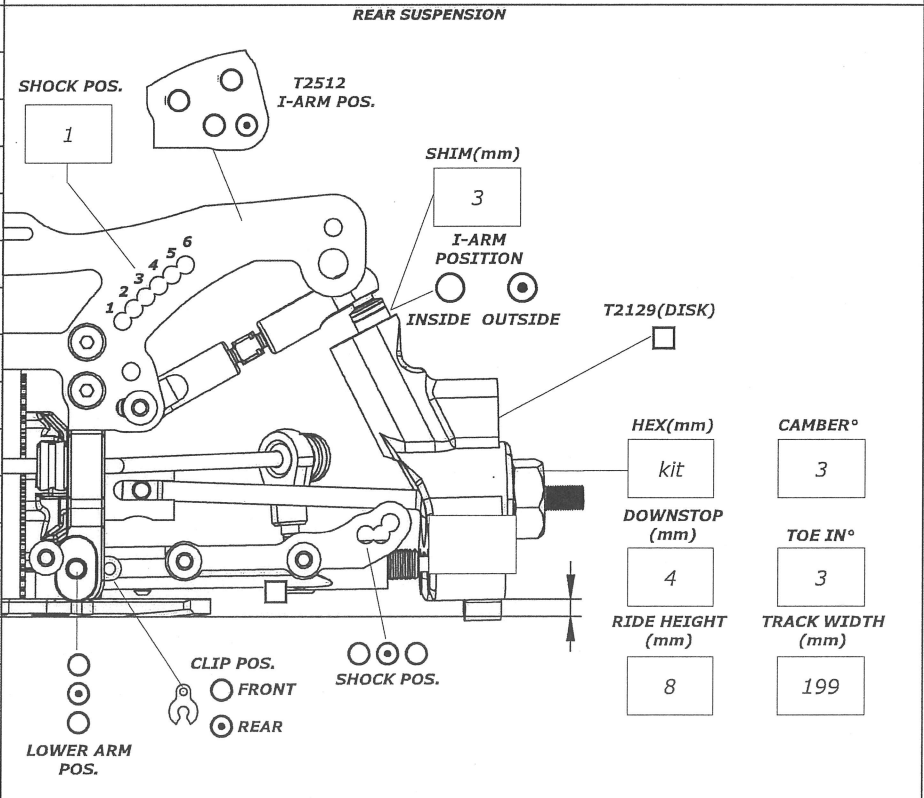


SETUPSHEET VER:2908-1 MTX7R

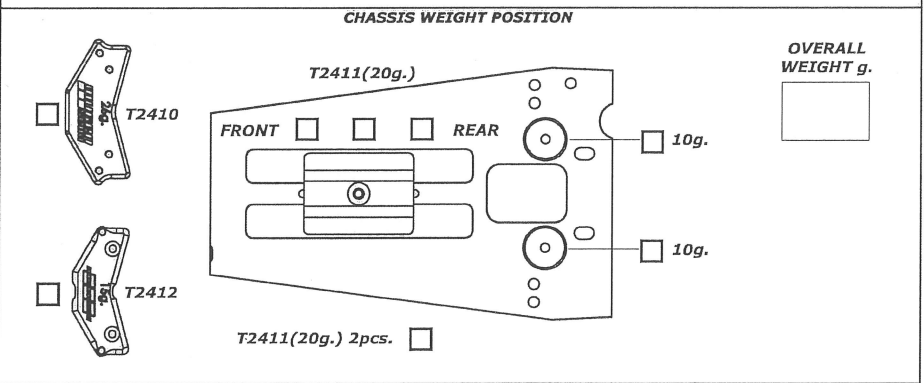
NAME: Basic		DATE:	
TRACK:		RACE:	
LAYOUT:	TECHNICAL <input type="radio"/>	MIXED <input type="radio"/>	FAST <input type="radio"/>
TRACTION:	LOW <input type="radio"/>	MEDIUM <input type="radio"/>	HIGH <input type="radio"/>
TEMP°C:	AIR	TRACK	
ENGINE			
TYPE:		FUEL:	
PIPE:		MANIFOLD:	
TIRES			
BRAND:		SHORE F/R:	
SIZE F/R: 62/64		ADDITIVE:	
TRANSMISSION			
PINION: 15/20		SPUR: 53/48	



FRONT DIFF: <input checked="" type="radio"/> OIL CST: 1.000.000		OIL (quity.): 1,6	
T2242 <input type="radio"/> OIL CST:		OIL (quity.):	
REAR DIFF: OIL CST: 50.000		OIL (quity.): 1,6	
COMPOSITE GEAR: FRONT <input type="checkbox"/>		REAR <input type="checkbox"/>	
CLUTCH SETTING			
BELL #: kit		MAX. GAP BELL/SHOE: 0,5	
SHOE #: kit		BELL AXIAL PLAY: 0,2	
SPRING #: kit		SPRING PRE TENSION: 0	
FRONT SHOCK'S		REAR	
1,1x1 (kit)		PISTON: 1,1x2 (kit)	
#600 (kit)		OIL: #600 (kit)	
Black (kit)		SPRING: Black (kit)	
11mm		LENGTH: 11mm	
FRONT ANTI ROLL BAR		REAR	
2,4		2,1	
STEERING			
SERVOHORN LENGTH (mm): 18,5			
INSERT: T2303N (8mm) <input type="radio"/>		T2303J (9mm) <input checked="" type="radio"/>	
POSITION SERVO SAVER: LONG <input type="radio"/>			
MEDIUM <input type="radio"/>			
SHORT <input checked="" type="radio"/>			
BUMPSTEER SHIM (mm): 1		SHORT <input checked="" type="radio"/>	
		LONG <input type="radio"/>	
CHASSIS STIFFENER			
ORIGINAL <input checked="" type="checkbox"/>		T2311 <input type="checkbox"/>	
		T2236 <input type="checkbox"/>	
BODYSHELL			
TYPE:		WING TYPE:	



SERVOHORN LENGTH (mm): 18,5	
INSERT: T2303N (8mm) <input type="radio"/>	
T2303J (9mm) <input checked="" type="radio"/>	
POSITION SERVO SAVER: LONG <input type="radio"/>	
MEDIUM <input type="radio"/>	
SHORT <input checked="" type="radio"/>	
BUMPSTEER SHIM (mm): 1	
SHORT <input checked="" type="radio"/>	
LONG <input type="radio"/>	
CHASSIS STIFFENER	
ORIGINAL <input checked="" type="checkbox"/>	
T2311 <input type="checkbox"/>	
T2236 <input type="checkbox"/>	
BODYSHELL	
TYPE:	
WING TYPE:	



WING POSITION:		WING ENDPLATE <input type="checkbox"/>	
(mm)		[]	
WINDOW BODY LINE TO BODY POST HOLE			

COMMENTS: