

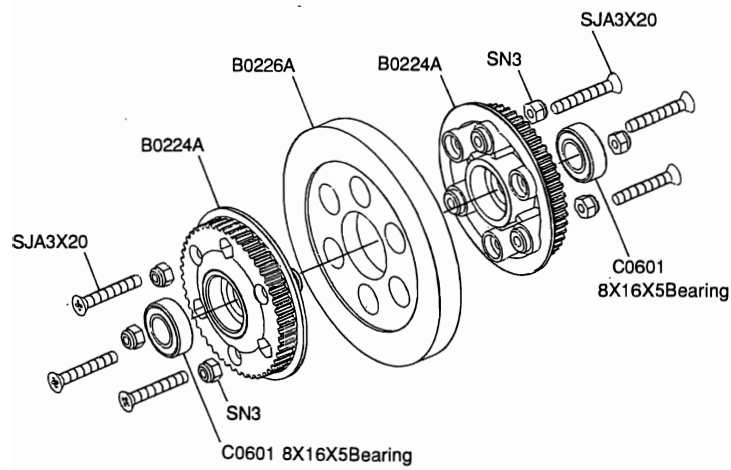
FOR 1/8 SCALE BUGGY and 1/10 SCALE TOURING-CARS

Congratulations for buying the Mugen PRO STARTER B II. It needs two 7.2V batteries (Additional items needed for completion) and two 540 type motors. This Starter is for 1/8 Buggy car, and 1/10 touring car. This PRO STARTER B II is compact size and easy to start engine.

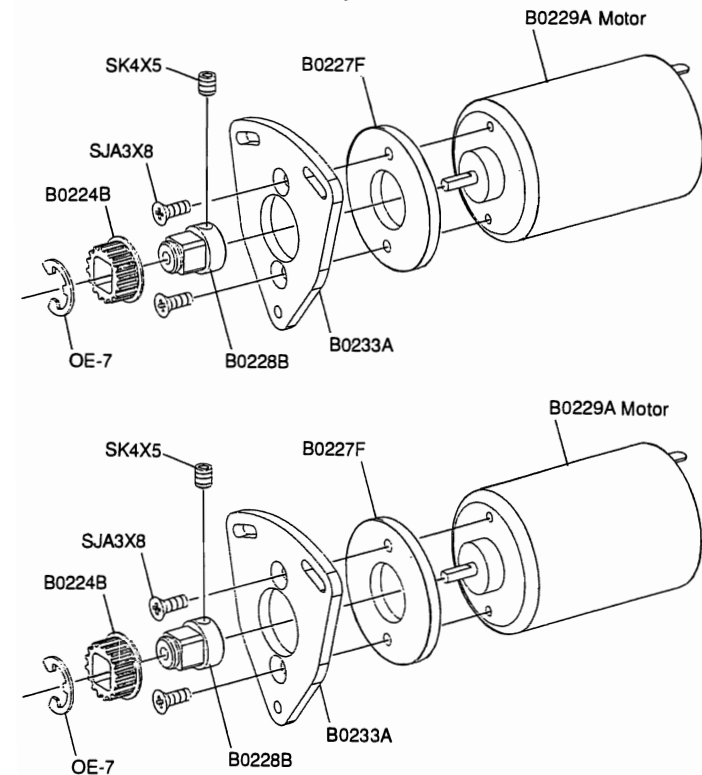
Caution

Read carefully and fully understand the instructions before commencing assembly.

① Starter Ring Assembly



② Motor Pulley Assembly

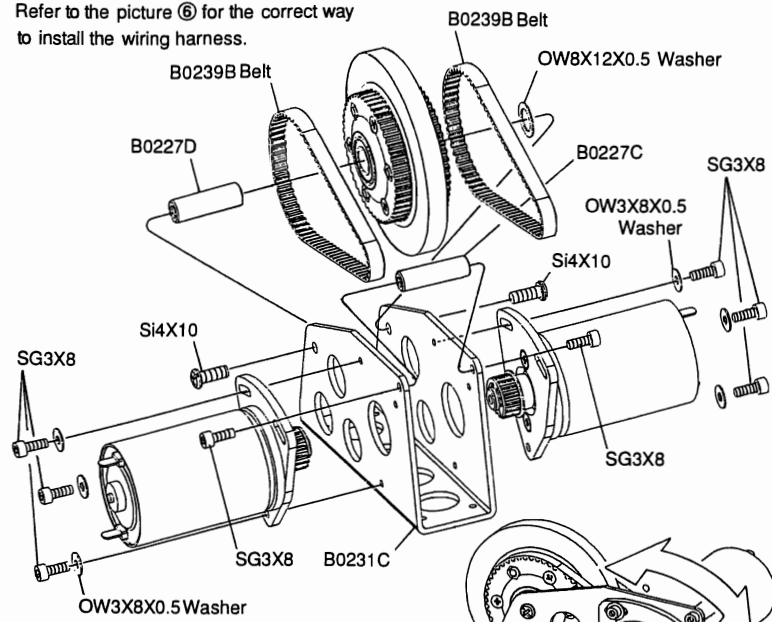


Safety precaution: Follow the below guideline

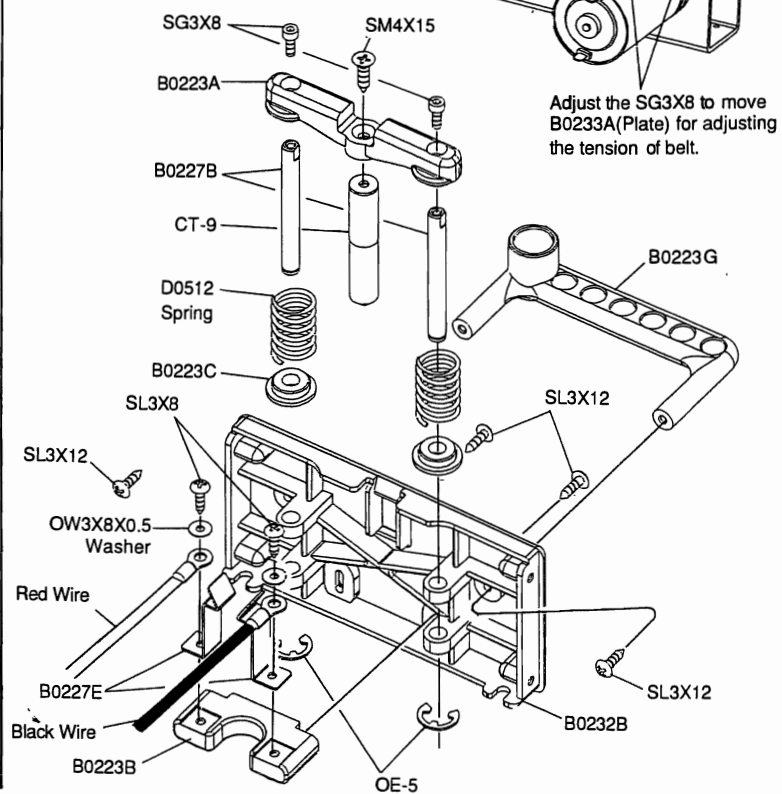
1. When assembling this starter, tools including knives are used extra care should be taken to avoid personal injury.
2. Check the wiring code to avoid the excess heat build-up and possibly a fire. Bundle the wiring code with strap.
3. If the assemble of Drive Unit is incomplete, it could cause of damage to the motor.
4. Do not put fingers the rotating Drive Unit.
5. Disconnect the battery as you do not use.

③ Drive Unit Assembly

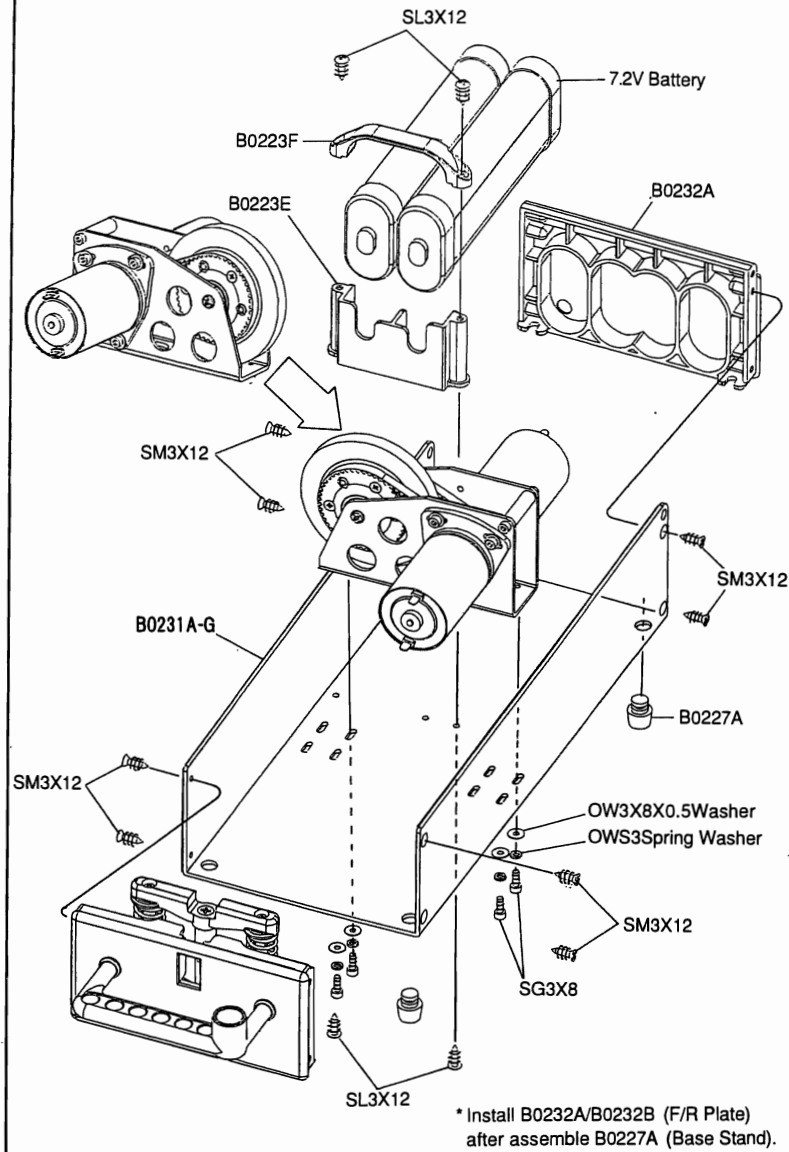
Refer to the picture ⑥ for the correct way to install the wiring harness.



④ Rear Plate Assembly

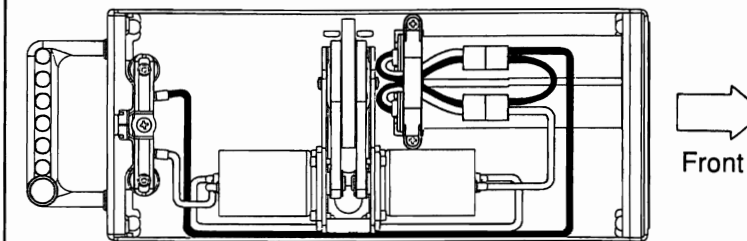


⑤ Flame Assembly

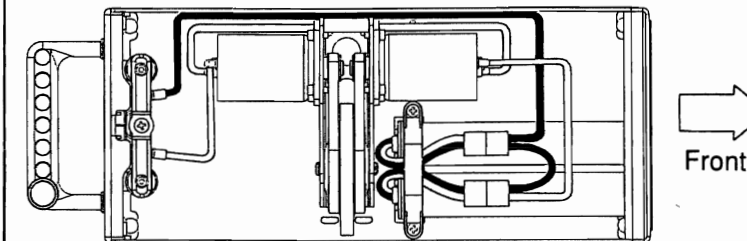


⑥ The Position of Pulley and Battery

<For Left hand motors>



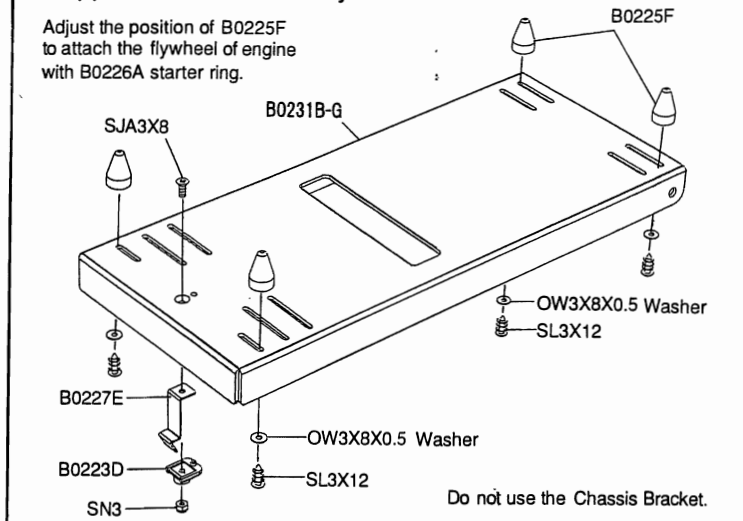
<For right hand motors>



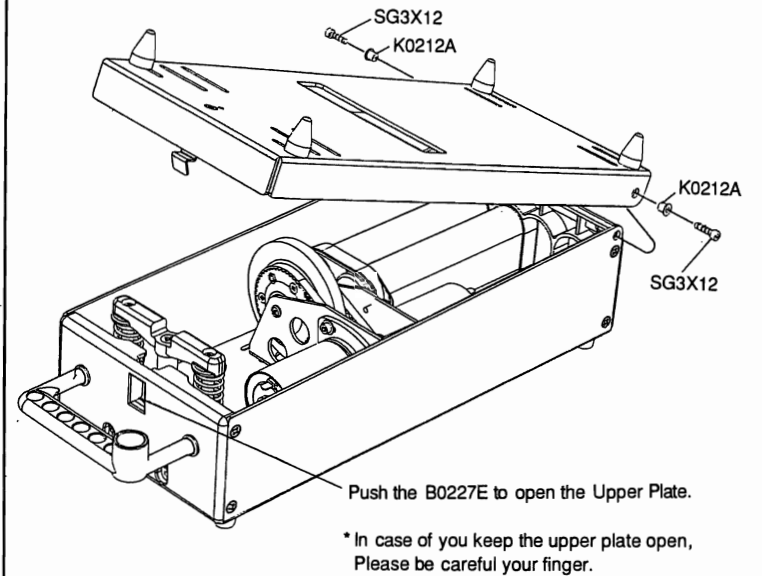
- In case of using TG-X, TG-10 made by TAMIYA, please change the wiring of 2 motors.
- Confirm the direction which the flywheel of the car turns and the rotation of the starter ring after the assembling.

⑦ Upper Plate Assembly

Adjust the position of B0225F to attach the flywheel of engine with B0226A starter ring.



⑧ Installation of Upper Plate



PRO STARTER B II PARTS LIST

P/N	Description
B0231A-G	B II Flam (Gray) B0231A-G 1pc. B0231B-G 1pc.
B0231C	B II Motor Mount B0231C 1pc. B0227C 1pc. B0227D 1pc. B0227F 2pcs. B0233A 2pcs.
B0232	B II F/R Plate B0232A 1pc. B0232B 1pc.
B0223	Switch Parts B0223A 1pc. B0223B 1pc. B0223C 2pcs. B0223D 1pc. B0223E 1pc. B0223F 1pc. B0223G 1pc.
B0224	Pulley B0224A 2pcs. B0224B 2pcs.
B0225	Mount Parts B0225A 1pc. B0225B 1pc. B0225C 1pc. B0225D 2pcs. B0225E 2pcs. B0225F 4pcs.
B0226	Starter Ring B0226A 1pc.
B0227A	Base Stand B0227A 4pcs.
B0227B	Switch Shaft B0227B 2pcs.
B0227E	Switch CT-9 1pc. B0227E 3pcs.
B0228B	Pully Adapter S B0228B 1pc.
B0229A	Starter Motor 540 Motor 1pc.
B0233	Battery code for PRO-STARTER RII BII 1pc.
B0239	Belt for B II 1pc.
C0601	8X16X5 Bearing 2pcs.
D0512	Spring 2pcs.
K0212	King Pin Color 4pcs.